



FoodSaver™

FRESH FOOD PRESERVATION SYSTEM
SYSTÈME DE CONSERVATION SOUS VIDE DES
ALIMENTS FRAIS
SYSTEM ZUR KONSERVIERUNG FRISCHER
LEBENSMITTEL
SISTEMA DE ENVASADO AL VACÍO
SISTEMA DE EMBALAGEM A VÁCUO
SISTEMA DI CONSERVAZIONE DEGLI ALIMENTI
SALVAFRESCHEZZA
VERSHOUDSYSTEEM
FÖRVARINGSSYSTEM FÖR FÄRSK MAT
TUOREEN RUOAN SÄILYTYSJÄRJESTELMÄ

KONSERVINGSSYSTEM TIL FRISKE FØDEVARER
OPPBEVARINGSSYSTEM FOR FERSKMAT
SYSTEM PRZECHOWYWANIA ŚWIEŻEJ ŻYWNOŚCI
FRESH
FRESH – VAKUOVACÍ SYSTÉM PRO UCHOVÁNÍ
POTRAVIN
SYSTÉM NA UCHOVANIE ČERSTVOSTI POTRAVÍN
SISTEM DE CONSERVARE A ALIMENTELOR
PROASPETE
СИСТЕМА ЗА ЗАПАЗВАНЕ НА ХРАНИТЕ В СВЕЖО
СЪСТОЯНИЕ
ΣΥΣΤΗΜΑ ΣΥΝΤΗΡΗΣΗΣ ΦΡΕΣΚΩΝ ΤΡΟΦΩΝ



EN USER INSTRUCTIONS
FR CONSIGNES D'UTILISATION
DE ANLEITUNG
ES INSTRUCCIONES PARA EL USUARIO
PT INSTRUÇÕES DE UTILIZAÇÃO
IT ISTRUZIONI PER L'USO
NL GEBRUIKSAANWIJZING
SE BRUKSANVISNING
FI KÄYTTÖOHJEET

DK BRUGERVEJLEDNING
NO BRUKSANVISNING
PL INSTRUKCJA OBSŁUGI
CZ NÁVOD K POUŽITÍ
SK POKYNY PRE POUŽÍVATEĽA
RO INSTRUCȚIUNI DE UTILIZARE
BG ИНСТРУКЦИИ НА ПОТРЕБИТЕЛЯ
GK ΟΔΗΓΙΕΣ ΧΡΗΣΤΗ

English	5
Français/French	10
Deutsch/German	15
Español/Spanish	20
Português/Portuguese	25
Italiano/Italian	30
Nederlands/Dutch	35
Svenska/Swedish	40
Suomi/Finnish	44
Dansk/Danish	48
Norsk/Norwegian	53
Polski/Polish	58
Česky/Czech	63
Slovenčina/Slovakian	68
Română/Romanian	73
български/Bulgarian	78
ΕΛΛΗΝΙΚΑ/Greek	83

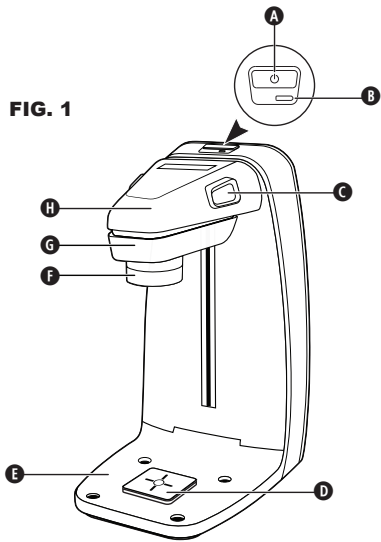


FIG. 2

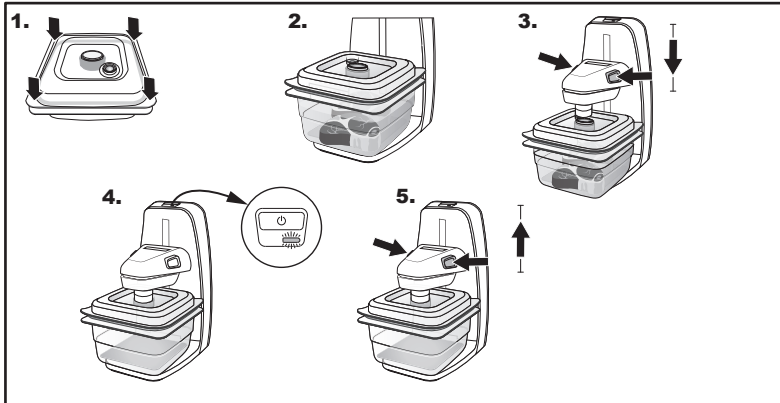
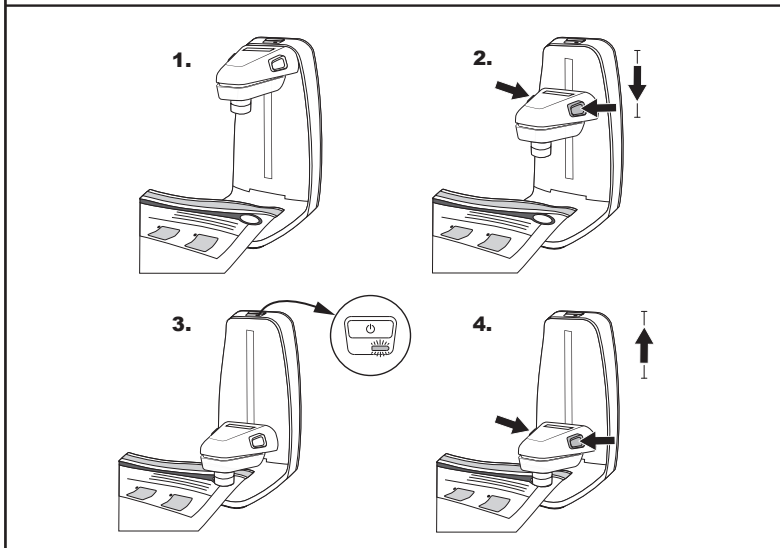


FIG. 3



Important Safeguards

This appliance can be used by children aged from 8 years and above and persons with reduced physical, sensory or mental capabilities or lack of experience and knowledge if they have been given supervision or instruction concerning use of the appliance in a safe way and understand the hazards involved. Children shall not play with the appliance. Cleaning and user maintenance shall not be made by children without supervision.

If the supply cord is damaged, it must be replaced by the manufacturer, or its service agent or a similarly qualified person in order to avoid a hazard.

- Always use the appliance on a stable, secure, dry and level surface.
- CAUTION: THIS APPLIANCE IS NOT FOR COMMERCIAL USE. Never use this appliance for anything other than its intended use. This appliance is for household use only. Do not use this appliance outdoors.
- Never immerse the appliance or power cord and plug in water or any other liquid.
- Do not use the appliance if it has been dropped or if there are any visible signs of damage.
- Ensure the appliance is switched off and unplugged from the supply socket after use, before cleaning.
- To disconnect, unplug the power cord from the electrical outlet. Do not disconnect by pulling on the cord.
- Do not use an extension cord with the appliance.
- Use only accessories or attachments recommended by the manufacturer.

SAVE THESE INSTRUCTIONS

The FoodSaver™ System

Why Vacuum Package?

Exposure to air causes food to lose nutrition and flavour, and also causes freezer burn and enables many bacteria, mould and yeast to grow. The FoodSaver™ vacuum packaging system removes air and seals in flavour and quality. You can now enjoy the benefits of a scientifically proven food storage method that keeps food fresh up to five times longer.

The FoodSaver™ System Saves Time and Money

- **Spend less money.** With the FoodSaver™ system, you can buy in bulk or buy on sale and vacuum package your food in desired portions without wasting food.
- **Save more time.** Cook ahead for the week, preparing meals and saving them in FoodSaver™ bags.
- **Marinate in minutes.** Vacuum packaging opens up the pores of food so you can get that great marinated flavour in just 20 minutes instead of overnight.
- **Make entertaining easy.** Make your signature dish and holiday treats in advance so you can spend quality time with your guests.
- **Enjoy seasonal or specialty foods.** Keep highly perishable or infrequently used items fresh longer.
- **Control portions for dieting.** Vacuum package sensible portions and write calories and/or fat grams on the bag.
- **Protect non-food items.** Keep camping and boating supplies dry and organised for outings. Protect polished silver from tarnishing by minimising exposure to air.

FoodSaver™ Accessories

Get the most out of your FoodSaver™ appliance with easy-to-use FoodSaver™ containers and bags.

FoodSaver™ Fresh Zipper Bags

FoodSaver™ Zipper Bags feature special channels that enable the efficient removal of air. The multi-ply construction makes them an especially effective barrier to oxygen and moisture.

FoodSaver™ Fresh Containers

FoodSaver™ Fresh Containers are simple to use and ideal for vacuum packaging delicate items such as muffins and other baked goods, liquids and dry goods.

Ordering

To order FoodSaver™ accessories please visit www.foodsaver.co.uk.

Parts

See Fig. 1:

- | | |
|------------------------------|----------------------|
| A Start button | E Base |
| B Ready light | F Vacuum port |
| C Release button (x2) | G Reservoir |
| D Platform | H Vacuum head |

Using your Fresh Food Preservation System

Vacuum Seal with FoodSaver™ Fresh Containers

See Fig. 2:

1. Place the item to be vacuum sealed into the container. Fit the lid onto the container base. Press firmly on all corners to ensure that the lid is sealed.
2. Place the container onto the base using the platform as a guide.
3. Press both release buttons on the vacuum head to adjust its height. Guide the vacuum head onto the container valve until it clicks. The green ready light will come on.
Note: The green light will only come on if the vacuum head has made secure contact with the container valve.
4. Press the Start button to initiate the vacuum sealing process. The vacuum indicator on the container will dimple inwards early during the vacuum sealing process. Do not stop the process. The appliance will stop automatically when the container is fully vacuum sealed.
5. Press both release buttons on the vacuum head to lift it up then remove the sealed container.

You can marinate food quickly using FoodSaver™ Fresh Containers. Place the food into the container, fully cover with your favourite marinade, and press the lid on firmly to seal.

You can then follow steps 2–5 of *Vacuum Seal with FoodSaver™ Fresh Containers*. Leave the food vacuum sealed for 20 minutes to make sure that the marinade penetrates the food.

Vacuum Seal with FoodSaver™ Fresh Zipper Bags

The FoodSaver™ Fresh Zipper Bags should be used for fresh storage only (in the refrigerator or pantry) and not in the freezer. Do not use to vacuum seal liquids.

If vacuuming moist foods, ensure that the liquid does not reach the zipper bag valve and check and clean the appliance reservoir when needed.

See Fig. 3:

1. Place the item to be vacuum sealed into the bag. Place the bag onto the base using the platform as a guide and align the bag valve.
2. Press both release buttons on the vacuum head to adjust its height. Guide the vacuum head onto the bag valve until it clicks. The green ready light will come on.
Note: The green light will only come on if the vacuum head has made secure contact with the bag valve.
3. Press the Start button to initiate the vacuum sealing process. The appliance will stop automatically when the bag is fully vacuum sealed.
4. Press both release buttons on the vacuum head to lift it up then remove the sealed bag.

FoodSaver™ Fresh Zipper Bag Tips

- Avoid overfilling; always leave space between the bag contents and the zipper. This allows room for the bag material to seal tightly against the food.
- Make sure to slide your fingers across the zipper to close the bag before placing it onto the appliance.
- When you are vacuum packaging items with sharp edges (dry spaghetti, silverware, etc.), protect the bag from punctures by wrapping items in soft cushioning material, such as paper towel.

Storage Guide, Hints and Tips

Vacuum Packaging and Food Safety

The vacuum packaging process extends the life of foods by removing most of the air from the sealed container, thereby reducing oxidation, which affects nutritional value, flavour and overall quality. Removing air can also inhibit growth of microorganisms, which can cause problems under certain conditions:

To preserve foods safely, it is critical that you maintain low temperatures. You can significantly reduce the growth of microorganisms at temperatures of 4°C or below.

Freezing at -17°C does not kill microorganisms, but stops them from growing. For long-term storage, always freeze perishable foods that have been vacuum packaged, and keep refrigerated after thawing. The FoodSaver™ Fresh Zipper Bags should be used for fresh storage only (in the refrigerator or pantry) and not in the freezer.

It is important to note that vacuum packaging is NOT a substitute for canning and it cannot reverse the deterioration of foods. It can only slow down the changes in quality. It is difficult to predict how long foods will retain their top-quality flavour, appearance or texture because it depends on age and condition of the food on the day it was vacuum packaged.

IMPORTANT: Vacuum packaging is NOT a substitute for refrigeration or freezing. Any perishable foods that require refrigeration must still be refrigerated or frozen after vacuum packaging. To avoid possible illness, do not reuse bags after storing raw meats, raw fish or greasy foods.

Thawing and Reheating Vacuum Packaged Foods



Always thaw foods in a refrigerator or a microwave oven — do not thaw perishable foods at room temperature.

To reheat foods in a microwave in a FoodSaver™ Fresh Container, release the vacuum valve and keep the lid on.

IMPORTANT: FoodSaver™ Fresh Zipper Bags should never be used in microwave ovens to reheat foods or to thaw foods.

Preparation Guidelines

Meat



Beef may appear darker after vacuum sealing due to the removal of oxygen. This is not an indication of spoilage.

Hard Cheeses



To keep cheese fresh, vacuum seal it after each use. When you're ready to reseal the cheese, just place it back into the FoodSaver™ Fresh Container or Fresh Zipper Bag and vacuum again.

IMPORTANT: Due to the risk of anaerobic bacteria, soft cheeses should never be vacuum sealed.

Vegetables



Vegetables must be blanched before vacuum sealing. This process stops the enzyme action that could lead to loss of flavour, colour and texture.

To blanch vegetables, place them in boiling water or in the microwave until they are cooked, but still crisp. Blanching times range from 1 to 2 minutes for leafy greens and peas; 3 to 4 minutes for snap peas, sliced courgette or broccoli; 5 minutes for carrots; and 7 to 11 minutes for corn on the cob.

After blanching, immerse vegetables in cold water to stop the cooking process. Finally, dry vegetables on a towel before vacuum sealing.

Note: Some foods (including broccoli, Brussels sprouts, cabbage, cauliflower, kale, turnips and bananas) naturally emit gases during storage. Therefore, after blanching, they must be stored in the freezer only.

When freezing vegetables, it is best to pre-freeze them for 1-2 hours or until solidly frozen. To freeze vegetables in individual servings, first place on a baking sheet and spread them out so they are not touching. This prevents them from freezing together in a block. When frozen, remove the vegetables from the baking sheet and vacuum seal vegetables in a FoodSaver™ Fresh Container. After vacuum sealing, return the vegetables to the freezer.

IMPORTANT: Due to the risk of anaerobic bacteria, fresh mushrooms, onions and garlic should never be vacuum sealed.

Leafy Vegetables



First wash the vegetables, and then dry with a towel or salad spinner. After they are dried, put them in a FoodSaver™ Fresh Container and vacuum seal as normal. Store in refrigerator.

Fruits



You can vacuum seal portions for baking, or in your favourite combinations for easy fruit salad all year round. If storing in the refrigerator, we recommend using a FoodSaver™ Fresh Container.

Baked Goods



To vacuum seal soft or airy baked goods, we recommend using a FoodSaver™ Fresh Container so they will hold their shape. To save time, make cookie dough, pie shells, whole pies, or mix dry ingredients in advance and vacuum seal for later use.

Coffee and Powdery Foods



To prevent food particles from being drawn into the vacuum pump, place a coffee filter or paper towel at the top of the bag or canister before vacuum sealing. You can also place the food in its original bag inside a FoodSaver™ Fresh Zipper Bag, or use a FoodSaver™ Fresh Container to vacuum seal.

Liquids



Wait for hot liquids to cool to room temperature before vacuum sealing in a FoodSaver™ Fresh Container. Vacuum sealing hot liquids may result in loss of vacuum.

Troubleshooting

Problem	Solution
The appliance is not vacuuming air out of the FoodSaver™ Fresh Zipper bag.	<ul style="list-style-type: none">• Make sure that the bag is firmly closed.• The air valve is not on a flat surface. Reposition the bag so that the air valve lies flat on the appliance platform with no food underneath.
Vacuum nozzle and air valve are not making contact.	<ul style="list-style-type: none">• Make sure that the vacuum nozzle is centred over the grey circle and placed flat on the air valve. Apply moderate pressure.
Air was removed from the bag but now air has re-entered.	<ul style="list-style-type: none">• Examine the bag's zip and valve. Food debris in the zip or valve may cause leakage and allow air to enter.• Sometimes moisture or food material along the seal edges of the zipper or beneath the valve prevents the bag from sealing properly. Wipe the inside of the bag around the zip and beneath valve and attempt to reseal.• If you are vacuum packaging sharp food items, the bag may have been punctured. Use a new bag if there is a hole. Cover sharp food items with a soft cushioning material, such as a paper towel, and reseal.
The FoodSaver™ Fresh Container will not vacuum.	<ul style="list-style-type: none">• Make sure that the rubber gasket on the inside of the lid is free from food and secure in place.• Examine the rim of the container for cracks or scratches. Any gaps can prevent containers from vacuuming properly. Make sure that the container vacuum valve is clean.• Make sure that the container lid is closed securely on all 4 corners; remove lid and press again.
LED light on appliance blinks red.	<ul style="list-style-type: none">• This indicates that the appliance did not fully seal the container or bag. Raise the vacuum head and make sure that the container or bag is closed correctly.• Make sure that the liquid reservoir is clean and fitted correctly so there are no air leaks.• Move the vacuum head down and press it firmly onto the container or bag valve and press the Start button. The vacuum process should not take longer than 1 minute.
LED light on appliance blinks green.	<ul style="list-style-type: none">• This indicates that the container or bag valve is not attached to the vacuum head correctly. Move the vacuum head down and press it firmly onto the container or bag valve and press the Start button.

Care and Cleaning

Never immerse the appliance or power cord and plug in water or any other liquid. Always unplug the appliance before cleaning.

Wipe over the body of the appliance with a soft, dry cloth.

Slide out the reservoir after each use to clean it of moisture. To remove the reservoir, hold it with two fingers and pull down from the vacuum head. Wash in warm soapy water and allow to air dry thoroughly.

The gasket on the reservoir may also be removed for cleaning. Wash with warm soapy water and let dry thoroughly before re-fitting.

Check that the vacuum port is free from food debris. Wipe clean with a soft, dry cloth.

Storage

Make sure that the appliance is clean and store upright, on a flat, level surface, away from the edge and where it cannot be easily knocked over.

Fitting a Plug (UK/Ireland only)

If the plug is not suitable for the socket outlets in your home, it can be removed and replaced by a plug of the correct type. If you remove the plug it must not be connected to a 13 amp socket and the plug must be disposed of immediately.

NOTE: If the terminals in the plug are not marked or if you are unsure or in doubt about the installation of the plug please contact a qualified electrician.

If a 13A 3-pin plug is fitted, it must be an ASTA approved plug, conforming to BS1363 standard. Replacement fuses must be BSI or ASTA BS1362 approved.

The wires in the mains lead are coloured as such:

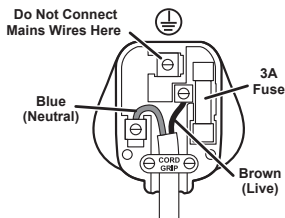
- BROWN - LIVE
- BLUE - NEUTRAL

Please note that the colour of these mains wires may not correspond with the colour markings that identify the terminals in your plug.

The BROWN coloured wire must be connected to the terminal, which is marked with the letter "L" or is coloured RED.

The BLUE coloured wire must be connected to the terminal, which is marked with the letter "N" or is coloured BLACK.

DO NOT CONNECT either of these wires to the earth terminal in the plug. The earth terminal plug is marked with the letter "E", or with the earth symbol \perp , or coloured GREEN, or GREEN and YELLOW.



Guarantee

Please keep your receipt as this will be required for any claims under this guarantee.

This appliance is guaranteed for 2 years after your purchase as described in this document.

During this guaranteed period, if in the unlikely event the appliance no longer functions due to a design or manufacturing fault, please take it back to the place of purchase, with your till receipt and a copy of this guarantee.

The rights and benefits under this guarantee are additional to your statutory rights, which are not affected by this guarantee. Only Jarden Consumer Solutions (Europe) Limited ("JCS (Europe)") has the right to change these terms.

JCS (Europe) undertakes within the guarantee period to repair or replace the appliance, or any part of appliance found to be not working properly free of charge provided that:

- you promptly notify the place of purchase or JCS (Europe) of the problem; and
- the appliance has not been altered in any way or subjected to damage, misuse, abuse, repair or alteration by a person other than a person authorised by JCS (Europe).

Faults that occur through, improper use, damage, abuse, use with incorrect voltage, acts of nature, events beyond the control of JCS (Europe), repair or alteration by a person other than a person authorised by JCS (Europe) or failure to follow instructions for use are not covered by this guarantee. Additionally, normal wear and tear, including, but not limited to, minor discoloration and scratches are not covered by this guarantee.

The rights under this guarantee shall only apply to the original purchaser and shall not extend to commercial or communal use.

If your appliance includes a country-specific guarantee or warranty insert please refer to the terms and conditions of such guarantee or warranty in place of this guarantee or contact your local authorized dealer for more information.

Waste electrical products should not be disposed of with Household waste. Please recycle where facilities exist. E-mail us at enquiriesEurope@jardencs.com for further recycling and WEEE information.

Jarden Consumer Solutions (Europe) Limited
5400 Lakeside
Cheadle Royal Business Park
Cheadle
SK8 3GQ
United Kingdom



Consignes importantes

Cet appareil peut être utilisé par des enfants à partir de 8 ans, ainsi que par des personnes aux capacités physiques, sensorielles ou intellectuelles réduites, ou encore par des personnes n'ayant aucune connaissance ou expérience en relation avec le produit à condition que ces personnes soient supervisées ou reçoivent des instructions claires concernant la sécurité et les risques encourus. Les enfants ne doivent pas jouer avec l'appareil. Le nettoyage et la maintenance utilisateur ne doivent pas être effectués par des enfants sans supervision.

Si le cordon d'alimentation ou la fiche sont endommagés, ils doivent être remplacés par le fabricant, son réparateur agréé ou une personne jouissant d'une qualification similaire de manière à éviter tout danger.

- Utilisez toujours l'appareil sur une surface stable, sûre, sèche et horizontale.
- ATTENTION : CET APPAREIL EST RÉSERVÉ À UNE UTILISATION DOMESTIQUE. N'utilisez ce produit qu'aux fins pour lesquelles il est prévu. Cet appareil est conçu exclusivement pour une utilisation domestique. N'utilisez pas cet appareil à l'extérieur.
- Ne plongez pas, même partiellement, l'appareil ou son cordon dans du liquide.
- N'utilisez pas l'appareil s'il a subi un choc, ou en cas de signes visibles de dommages.
- Assurez-vous que l'appareil est arrêté et débranchez-le avant de le nettoyer.
- Sortez la fiche de la prise pour débrancher l'appareil. Ne tirez pas sur le cordon d'un coup sec.
- N'utilisez pas de cordon de rallonge avec l'appareil.
- Utilisez uniquement les extensions et les accessoires recommandés par le fabricant.

CONSERVEZ CES INSTRUCTIONS

Le système FoodSaver™

Pourquoi emballer sous vide?

Lorsqu'ils sont exposés à l'air, les aliments s'oxydent, ce qui altère leur valeur nutritive et leur saveur, cause des brûlures de congélation et entraîne la prolifération de bactéries, moisissures et champignons. Le système d'emballage sous vide FoodSaver™ évacue tout l'air et renferme hermétiquement saveur et qualité. Vous pouvez maintenant bénéficier des avantages d'une méthode permettant de conserver les aliments jusqu'à cinq fois plus longtemps et dont les effets sont démontrés scientifiquement.

Le système FoodSaver™ fait économiser du temps et de l'argent.

- **Dépensez moins.** Avec le système FoodSaver™, vous pouvez acheter en vrac et profiter des promotions puis emballer des portions adaptées à votre famille, ce qui élimine le gaspillage.
- **Économisez du temps.** Planifiez les repas de la semaine, préparez-les à l'avance puis mettez-les dans des sacs FoodSaver™.
- **Macérez en quelques minutes.** Sceller sous vide dilate les pores des viandes pour les attendrir – vous obtenez ainsi la saveur recherchée en macérant pendant 20 minutes plutôt que d'avoir à attendre jusqu'au lendemain.
- **Recevoir requiert moins d'efforts.** Préparez à l'avance les plats qui ont fait votre réputation et les gourmandises des fêtes, vous passerez ainsi plus de temps avec vos invités.
- **Dégustez les produits saisonniers toute l'année.** Les denrées périssables ou rarement utilisées resteront fraîches plus longtemps.
- **Contrôlez les portions pour les régimes.** Emballez sous vide des portions raisonnables et inscrivez les calories ou la teneur en gras sur le sac.
- **Protégez les articles non comestibles.** Articles de camping et de canotage resteront secs et bien rangés. Empêchez l'argenterie de ternir en minimisant son exposition à l'air.

Accessoires FoodSaver™

Tirez pleinement parti de votre appareil FoodSaver™ grâce aux boîtes et sacs FoodSaver™ faciles à utiliser.

Sacs de mise sous vide avec fermeture zip à glissière FoodSaver™

Les sacs de mise sous vide avec fermeture zip à glissière FoodSaver™ sont spécialement conçus pour optimiser l'extraction de l'air. Le matériau à plusieurs épaisseurs dont ils sont composés bloque l'oxygène et l'humidité.

Boîtes alimentaires fraîcheur FoodSaver™

Les boîtes alimentaires fraîcheur FoodSaver™ sont faciles à utiliser et parfaitement adaptées au conditionnement sous vide d'aliments fragiles tels que les madeleines et autres pâtisseries, les liquides et les aliments secs.

Commande

Pour savoir où acheter les produits, consommables et accessoires FoodSaver™, rendez-vous sur www.foodsaver.fr et consultez la rubrique 'Où Acheter'.

Guide des pièces

Voir fig. 1 :

- | | |
|-------------------------------------|-----------------------------------|
| A Bouton Marche | E Socle |
| B Voyant "Prêt" vert | F Embout de mise sous vide |
| C Boutons de dégagement (x2) | G Réservoir à liquide |
| D Base | H Tête d'aspiration |

Utilisation de votre système de conservation sous vide des aliments frais

Conditionnement sous vide avec les boîtes alimentaires fraîcheur FoodSaver™

Voir fig. 2 :

1. Placez l'article à conserver sous vide dans la boîte. Placez le couvercle sur la boîte. Appuyez fermement sur tous les angles pour vous assurer que le couvercle est bien fermé.
2. Placez la boîte sur le socle de l'appareil en utilisant la base à titre de repère.
3. Appuyez sur les boutons de dégagement de part et d'autre de la tête d'aspiration pour en régler la hauteur. Dirigez la tête d'aspiration vers la valve de la boîte jusqu'à ce qu'un déclic se produise. Le voyant "Prêt" vert s'allume alors.
Remarque : le voyant vert ne s'allume que si la tête d'aspiration est correctement connectée à la valve de la boîte.
4. Appuyez sur le Bouton Marche pour démarrer le processus de mise sous vide. L'indicateur de mise sous vide de la boîte se creuse dès le début du processus de mise sous vide. N'arrêtez pas le processus.
Une fois la boîte fermée hermétiquement, l'appareil s'arrête automatiquement.
5. Appuyez sur les deux boutons de dégagement de la tête d'aspiration pour la relever, puis enlevez la boîte fermée hermétiquement.

Les boîtes alimentaires fraîcheur FoodSaver™ vous permettent de mariner rapidement des aliments. Placez les aliments dans la boîte, recouvrez-les de votre marinade favorite et appuyez fermement sur le couvercle pour le fermer.

Référez-vous à présent aux étapes 2 à 5 de la section *Conditionnement sous vide avec les boîtes alimentaires fraîcheur FoodSaver™*. Conservez les aliments sous vide pendant 20 minutes pour assurer une bonne pénétration de la marinade.

Conditionnement sous vide avec les sacs de mise sous vide avec fermeture zip à glissière FoodSaver™

Les sacs de mise sous vide avec fermeture zip à glissière FoodSaver™ sont réservés à la conservation des aliments au frais (réfrigérateur ou cellier) et ne doivent pas être placés au congélateur. Ne les utilisez pas pour conserver sous vide des liquides.

Si vous mettez sous vide des aliments à forte teneur en humidité, assurez-vous que le liquide n'atteint pas la valve du du sac de mise sous vide avec fermeture zip à glissière. Vérifiez et nettoyez au besoin le réservoir à liquide de l'appareil.

Voir fig. 3 :

1. Placez le produit à conserver sous vide dans le sac. Placez le sac sur le socle de l'appareil en utilisant la base à titre de repère et alignez la valve du sac sous la tête d'aspiration.
2. Appuyez sur les boutons de dégagement de part et d'autre de la tête d'aspiration pour en régler la hauteur. Dirigez la tête d'aspiration vers la valve du sac jusqu'à ce qu'un déclic se produise. Le voyant "Prêt" vert s'allume alors.
Remarque : le voyant vert ne s'allume que si la tête d'aspiration est correctement connectée à la valve du sac.
3. Appuyez sur le Bouton Marche pour démarrer le processus de mise sous vide. Une fois le sac fermé hermétiquement, l'appareil s'arrête automatiquement.
4. Appuyez sur les deux boutons de dégagement de la tête d'aspiration pour la relever, puis enlevez le sac fermé hermétiquement.

Conseils d'utilisation des sacs de mise sous vide avec fermeture zip à glissière FoodSaver™

- Évitez de trop remplir les sacs. Veillez à conserver un espace entre le contenu du sac et la glissière. Le matériau du sac peut ainsi prendre la forme des aliments à conserver sous vide.
- Veillez à faire glisser vos doigts sur la longueur entière de la glissière pour fermer manuellement le sac avant de le placer dans l'appareil.
- Si vous mettez sous vide des aliments saillants (spaghetti, couverts en argent, etc.), évitez que le sac ne se perfore en enveloppant le contenu dans un matériau doux tel que des feuilles de papier absorbant.

Guide de rangement et conseils

Emballage sous vide et salubrité

L'évacuation quasi totale de l'air des contenants hermétiques propre à l'emballage sous vide prolonge la fraîcheur des denrées ; ceci réduit l'oxydation qui altère valeur nutritive, saveur et qualité générale. Faire le vide freine la croissance des microorganismes, source de contamination sous certaines conditions.

Les basses températures sont essentielles au maintien de la salubrité des aliments. Vous pouvez considérablement réduire la croissance des microorganismes à 4 °C ou moins. La congélation à -17 °C ne tue pas les microorganismes, mais elle arrête leur croissance. Congelez toujours les denrées périssables emballées sous vide pour les conserver à long terme et réfrigérez-les après leur décongélation. Les sacs de mise sous vide avec fermeture zip à glissière FoodSaver™ sont réservés à la conservation des aliments au frais (réfrigérateur ou cellier) et ne doivent pas être placés au congélateur.

Soulignez que l'emballage sous vide ne remplace PAS la mise en conserve et la stérilisation et qu'il ne peut inverser la détérioration des aliments. Il ne fait que ralentir l'altération de la qualité. Prédire combien de temps les aliments garderont leur saveur, texture et apparence optimales est difficile et dépend de l'âge et de l'état des aliments au moment de l'emballage.

IMPORTANT : Emballer sous vide ne remplace PAS la réfrigération ou la congélation. Les denrées périssables devant être réfrigérées doivent continuer à être réfrigérées après l'emballage sous vide. Pour éviter toute possibilité de maladie, ne pas réutiliser les sacs après avoir emballé de la viande crue, du poisson cru ou des aliments gras.

Décongélation et réchauffage des aliments mis sous vide



Veillez à décongeler les aliments au réfrigérateur ou dans un four à micro-ondes. Ne décongelez jamais des aliments périssables à température ambiante.

Pour réchauffer des aliments conservés dans une boîte alimentaire fraîcheur FoodSaver™ en les passant au four à micro-ondes, ouvrez la valve de mise sous vide et ne soulevez pas le couvercle.

IMPORTANT : Les sacs de mise sous vide avec fermeture zip à glissière FoodSaver™ ne doivent jamais être utilisés au micro-ondes, ni pour réchauffer ni pour décongeler des aliments.

Consignes de préparation

Viande



La viande de bœuf peut sembler d'une couleur plus foncée après l'emballage sous vide, en raison de l'absence d'oxygène. Il ne s'agit pas d'un signe d'avarie.

Fromages à pâte dure



Pour garder le fromage frais, emballez-le sous vide après chaque utilisation. Lorsque vous êtes prêt à remballer sous vide le fromage, il suffit de le remettre dans la boîte alimentaire fraîcheur ou le sac de mise sous vide avec fermeture zip à glissière FoodSaver™ et de les fermer à nouveau hermétiquement.

IMPORTANT : en raison des risques que présentent les bactéries anaérobies, n'emballer jamais sous vide les fromages à pâtes molles.

Légumes



Blanchissez les légumes avant de les conserver sous vide. Ce processus arrête les enzymes susceptibles d'entraîner une perte de goût ou de couleur ou une dégradation de la consistance.

Pour blanchir les légumes, placez-les dans de l'eau bouillante ou passez-les au four à micro-ondes jusqu'à ce qu'ils soient cuits, mais encore croquants. Comptez 1 à 2 minutes pour les légumes verts à feuilles et les petits pois, 3 à 4 minutes pour les pois mange-tout, les courgettes en tranches ou le brocoli, 5 minutes pour les carottes et 7 à 11 minutes pour le maïs en épis.

Plongez ensuite les légumes dans de l'eau froide pour arrêter la cuisson. Séchez enfin les légumes sur une serviette avant de les mettre sous vide.

Remarque : certains aliments (notamment les brocolis, les choux de Bruxelles, le chou, le chou-fleur, le chou frisé, les navets et les bananes) émettent naturellement des gaz lorsqu'ils sont entreposés. C'est pourquoi vous devez les conserver au congélateur uniquement, après les avoir blanchis.

Lorsque vous congelez des légumes, il est préférable de les placer au préalable au congélateur pendant une heure ou deux ou jusqu'à ce qu'ils soient durs. Pour congeler des portions individuelles de légumes, commencez par les placer sur une plaque de cuisson et étalez-les de sorte qu'ils ne se touchent pas. Vous éviterez ainsi qu'ils forment un bloc au congélateur. Lorsqu'ils sont congelés, retirez les légumes de la plaque et placez-les dans une boîte alimentaire fraîcheur FoodSaver™ avant de les mettre sous vide. Une fois les légumes sous vide, remettez-les au congélateur.

IMPORTANT : en raison des risques que présentent les bactéries anaérobies, n'emballer jamais sous vide les champignons frais, les oignons et l'ail.

Légumes à feuilles



Commencez par laver les légumes, puis séchez-les à l'aide d'un torchon ou d'une essoreuse à salade. Une fois secs, placez-les dans une boîte alimentaire fraîcheur FoodSaver™ et mettez-les sous vide normalement. Placez-les au réfrigérateur.

Fruits



Vous pouvez mettre sous vide des portions de fruits pour les cuire ultérieurement ou composer des mélanges qui vous permettront de préparer des salades de fruits tout au long de l'année. Pour les conserver au réfrigérateur, il est recommandé d'utiliser une boîte alimentaire fraîcheur FoodSaver™.

Café et aliments en poudre



Afin que la pompe n'aspire pas de particules, placez un filtre à café ou une feuille de papier absorbant sur le haut du sac ou de la boîte avant de faire le vide. Vous pouvez également placer les aliments dans leur sac d'origine à l'intérieur d'un sac de mise sous vide avec fermeture zip à glissière ou d'une boîte alimentaire fraîcheur FoodSaver™ avant de les fermer hermétiquement.

Petits pains, biscuits et autres pâtisseries



Pour conserver sous vide les petits pains, biscuits et autres pâtisseries, il est recommandé d'utiliser des boîtes alimentaire fraîcheur FoodSaver™ afin qu'ils ne se brisent pas. Pour gagner du temps, préparez à l'avance de la pâte à biscuits, des fonds de tarte, des tartes entières ou mélangez les ingrédients secs et mettez-les sous vide afin de les utiliser ultérieurement.

Liquides



Attendez que les liquides chauds soient à température ambiante avant de les mettre sous vide dans une boîte alimentaire fraîcheur FoodSaver™. La mise sous vide de liquides chauds risque d'entraîner des problèmes d'aspiration.

Dépannage

Problème	Solution
L'appareil n'extrait pas l'air du sac de mise sous vide à glissière FoodSaver™.	<ul style="list-style-type: none">Assurez-vous que le sac est bien fermé.La valve d'air ne repose pas sur une surface plane. Modifiez la position du sac afin que la valve d'air repose à plat sur la base de l'appareil et qu'aucun aliment ne soit placé sous la valve.
La buse d'aspiration et la valve d'air ne rentrent pas en contact.	<ul style="list-style-type: none">Assurez-vous que la buse d'aspiration est centrée sur le cercle gris et qu'elle est placée à plat sur la valve d'air. Exercez une pression modérée.
L'air a été extrait du sac, mais a à nouveau pénétré dans ce dernier.	<ul style="list-style-type: none">Examinez la glissière et la valve du sac. Il est possible que la présence de débris alimentaires dans la glissière ou la valve soit responsable des fuites et laisse pénétrer l'air.Il arrive que la présence d'humidité ou de débris alimentaires le long de la glissière ou sous la valve empêche la fermeture hermétique du sac. Essayez l'intérieur du sac autour de la glissière et sous la valve et tentez à nouveau de le fermer hermétiquement.Si vous mettez sous vide des aliments saillants, il est possible que le sac ait été perforé. Si tel est le cas, utilisez un nouveau sac. Enveloppez les aliments saillants dans un matériau doux tel que des feuilles de papier absorbant et fermez à nouveau hermétiquement le sac.
Il est impossible de fermer hermétiquement la boîte alimentaire FoodSaver™.	<ul style="list-style-type: none">Assurez-vous que le joint d'étanchéité en caoutchouc à l'intérieur du couvercle ne contient pas de débris alimentaires et que sa position est correcte.Vérifiez que le bord de la boîte n'est ni fissuré, ni rayé. Tout interstice peut empêcher la mise sous vide correcte des boîtes. Assurez-vous que la valve de mise sous vide de la boîte est propre.Assurez-vous que le couvercle de la boîte est bien fermé aux quatre coins, soulevez-le, puis appuyez à nouveau.
Le voyant lumineux rouge de l'appareil clignote.	<ul style="list-style-type: none">Le clignotement de ce voyant lumineux indique que l'appareil n'a pas fermé hermétiquement la boîte ou le sac. Relevez la tête d'aspiration et vérifiez que la boîte ou le sac sont fermés correctement.Assurez-vous que le réservoir à liquide est propre et installé correctement pour éviter les fuites d'air.Faites coulisser la tête d'aspiration vers le bas, appuyez-la fermement sur la valve de la boîte ou du sac, puis appuyez sur le Bouton Marche. Le processus de mise sous vide ne devrait pas dépasser une minute.
Le voyant lumineux vert de l'appareil clignote.	<ul style="list-style-type: none">Le clignotement de ce voyant lumineux indique que la valve de la boîte ou du sac n'est pas correctement connectée à la tête d'aspiration. Faites coulisser la tête d'aspiration vers le bas, appuyez-la fermement sur la valve de la boîte ou du sac, puis appuyez sur le Bouton Marche.

Entretien et nettoyage

Veillez à débrancher l'appareil avant de le nettoyer.

Essayez l'extérieur de l'appareil avec un chiffon doux et sec.

Retirez le réservoir à liquide après chaque utilisation pour le vider. Pour sortir le réservoir, tenez-le à deux doigts et dégagez-le de la tête d'aspiration. Lavez-le à l'eau chaude savonneuse et laissez-le sécher complètement à l'air libre.

Vous pouvez également enlever le joint d'étanchéité du réservoir pour le nettoyer. Lavez-le à l'eau chaude savonneuse et laissez-le sécher complètement avant de le remettre en place.

Vérifiez que l'embout de mise sous vide ne contient pas de résidus alimentaires. Essayez-le à l'aide d'un chiffon doux et sec.

Rangement

Après avoir nettoyé l'appareil, rangez-le en position verticale sur une surface plane, éloignée du bord et évitez tout endroit où il risquerait d'être facilement renversé.

Garantie

Veillez conserver votre ticket de caisse, il vous sera demandé lors de toute réclamation sous garantie.

Cet appareil est garanti 2 ans à partir de la date d'achat, comme indiqué dans le présent document.

Dans le cas peu probable d'une panne résultant d'un défaut de conception ou de fabrication au cours de la période de garantie, veuillez rapporter l'appareil au magasin où vous l'avez acheté avec votre ticket de caisse et une copie de cette garantie.

Vos droits statutaires ne sont aucunement affectés par cette garantie. Seul Jarden Consumer Solutions (Europe) Limited (« JCS (Europe) ») peut modifier ces dispositions.

JCS (Europe) s'engage à réparer ou remplacer gratuitement, pendant la période de garantie, toute pièce de l'appareil qui se révèle défectueuse sous réserve que :

- vous avertissiez rapidement le magasin ou JCS (Europe) du problème ; et
- l'appareil n'ait pas été altéré de quelque manière que ce soit ou endommagé, utilisé incorrectement ou abusivement, ou bien réparé ou altéré par une personne autre qu'une personne agréée par JCS (Europe) Products Europe.

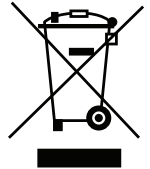
Cette garantie ne couvre pas les défauts liés à une utilisation incorrecte, un dommage, une utilisation abusive, l'emploi d'une tension incorrecte, les catastrophes naturelles, les événements hors du contrôle de JCS (Europe), une réparation ou une altération par une personne autre qu'une personne agréée par JCS (Europe) ou le non-respect des instructions d'utilisation. De plus, cette garantie ne couvre pas non plus l'usure normale, y compris, mais sans limitation, les petites décolorations et éraflures.

Cette garantie s'applique uniquement à l'acheteur d'origine et elle n'étend aucun droit à toute personne acquérant l'appareil pour un usage commercial ou communal.

Si votre appareil est accompagné d'une garantie locale ou d'une carte de garantie, veuillez en consulter les dispositions et conditions en vigueur, ou vous adresser à votre revendeur local pour en savoir plus.

Les déchets d'équipement électrique ne doivent pas être mélangés aux ordures ménagères. Veuillez recycler si vous en avez la possibilité. Envoyez-nous un email à enquiriesEurope@jardencs.com pour plus d'informations sur le recyclage et la directive WEEE.

Jarden Consumer Solutions (Europe) Limited
5400 Lakeside
Cheadle Royal Business Park
Cheadle
SK8 3GQ
United Kingdom



Wichtige Sicherheitshinweise

Dieses Gerät kann von Kindern ab 8 Jahren und Personen mit eingeschränkten körperlichen, sensorischen oder geistigen Fähigkeiten oder mangelnder Erfahrung und Wissen verwendet werden, wenn sie entsprechend in die sichere Anwendung eingewiesen wurden und die damit verbundenen Gefahren verstehen. Kinder dürfen das Gerät nicht als Spielzeug verwenden.

Reinigung und Wartung dürfen von Kindern nur unter Beaufsichtigung durchgeführt werden.

Beschädigte Stromkabel müssen durch den Hersteller, den Kundendienst oder andere qualifizierte Personen ersetzt werden, um Gefahren auszuschließen.

- Verwenden Sie das Gerät nur auf einer stabilen, sicheren, trockenen und ebenen Unterlage.
- **VORSICHT: DIESES GERÄT IST NICHT FÜR DIE GEWERBLICHE NUTZUNG BESTIMMT.** Setzen Sie das Gerät nie für Zwecke ein, für die es nicht bestimmt ist. Das Gerät wurde für die Verwendung in Privathaushalten entwickelt. Verwenden Sie das Gerät nicht im Freien.
- Tauchen Sie Teile des Geräts oder Stromkabels nicht ins Wasser oder andere Flüssigkeiten.
- Verwenden Sie das Gerät nicht, wenn es heruntergefallen ist oder Beschädigungen sichtbar sind.
- Stellen Sie vor dem Reinigen sicher, dass das Gerät ausgestellt ist und trennen Sie es von der Stromzufuhr.
- Ziehen Sie den Stecker aus der Steckdose, um das Gerät vom Netz zu trennen. Ziehen Sie den Stecker dabei nicht am Stromkabel.
- Verbinden Sie das Gerät nicht über ein Verlängerungskabel mit dem Netz.
- Verwenden Sie nur vom Hersteller empfohlenes Zubehör oder Zusatzgeräte.

BITTE BEWAHREN SIE DIESE ANLEITUNG AUF

Das FoodSaver™-System

Warum Vakuumverpackung?

Wenn Lebensmittel der Luft ausgesetzt werden, gehen Nährstoffe und Aromen verloren, es kann zu Gefrierbrand kommen und Bakterien, Schimmel und Hefebakterien können sich ungestört vermehren. Mit dem FoodSaver™-Vakuumverpackungssystem können Sie Ihre Lebensmittel luftdicht verschließen und somit Aroma und Qualität schützen. Sie können jetzt die wissenschaftlich nachgewiesenen Vorteile eines Verfahrens zur Lebensmittelkonservierung nutzen, mit dem Lebensmittel bis zu fünfmal länger frisch bleiben.

Das FoodSaver™-System spart Zeit und Geld

- **Sparen Sie Ihr Geld!** Mit dem FoodSaver™-System können Sie Lebensmittel in großen Mengen oder im Sonderangebot kaufen und anschließend portionsweise einfrieren ohne Lebensmittel zu verschwenden.
- **Sparen Sie Zeit!** Kochen Sie für die kommende Woche vor, bereiten Sie ganze Mahlzeiten zu und halten Sie sie dann in FoodSaver™-Beuteln frisch.
- **Marinieren in wenigen Minuten.** Vakuumverpacken öffnet die Poren der Lebensmittel. Somit können Sie diesen großartigen Geschmack marinierter Lebensmittel in nur 20 Minuten erhalten und müssen nicht eine Nacht lang warten.
- **Unterhaltung leicht gemacht.** Bereiten Sie Ihre berühmten Gerichte und Festtagsleckereien schon vor den Feiertagen zu. So können Sie die Zeit mit Ihren Gästen genießen und müssen den Tag nicht in der Küche verbringen.
- **Genießen Sie saisonale Gerichte und Spezialitäten.** Halten Sie leicht verderbliche oder selten verwendete Lebensmittel länger frisch.
- **Behalten Sie bei einer Diät die Größe Ihrer Portionen unter Kontrolle.** Verpacken Sie bewusst portionierte Mahlzeiten luftdicht und schreiben Kalorienanzahl und/oder den Fettgehalt auf den Beutel.
- **Schützen Sie Non-Food-Produkte.** Halten Sie Ihre Camping- und Boots-ausrüstung für Ihre Ausflüge trocken und organisiert. Schützen Sie Ihr poliertes Silber vorm Anlaufen, indem Sie es seltener der Luft aussetzen.

FoodSaver™-Zubehör

Machen Sie das meiste aus Ihrem FoodSaver™-Gerät mit unseren leicht zu verwendenden FoodSaver™-Behältern und -Beuteln.

Wiederverschließbare FoodSaver™-Frischebeutel

Die wiederverschließbaren FoodSaver™-Beutel sind mit besonderen Kanälen versehen, die die effiziente Entfernung des Sauerstoffs ermöglichen. Die mehrlagige Konstruktion bildet eine verlässliche Barriere gegen Sauerstoff und Feuchtigkeit.

FoodSaver™-Frischebehälter

FoodSaver™-Frischebehälter sind bedienungsfreundlich und eignen sich ideal für das Vakuumversiegeln von empfindlichen Lebensmitteln wie Muffins und anderen Backwaren, Flüssigkeiten und trockenen Lebensmitteln.

Bestellung

Um Beutel, Rollen und Zubehör von FoodSaver™ zu bestellen, gehen Sie zu www.foodsaver-europe.com und wählen Sie Ihre Region.

Bestandteile

Siehe Abb. 1:

- | | |
|-----------------------------------|----------------------------|
| A Start-Taste | E Fuß |
| B Bereitschaftsleuchte | F Vakuuieranschluss |
| C Entriegelungstaste (x 2) | G Sammelbehälter |
| D Standplatte | H Vakuumpopf |

Verwendung des Lebensmittelkonservierungssystems

Vakuumversiegeln mit FoodSaver™-Frischebehältern

Siehe Abb. 2:

1. Legen Sie die zu versiegelnden Lebensmittel in den Behälter. Setzen Sie den Deckel auf das Gefäß auf. Drücken Sie alle Ecken fest, um sicherzustellen, dass der Deckel fest sitzt.
2. Setzen Sie den Behälter unter Zuhilfenahme der Standplatte auf den Fuß.
3. Drücken Sie beide Entriegelungstasten am Vakuumpopf, um dessen Höhe anzupassen. Führen Sie den Vakuumpopf Richtung Behälterventil, bis Sie ein Klicken vernehmen. Die grüne Bereitschaftsleuchte leuchtet auf.
Hinweis: Das grüne Lämpchen leuchtet nur, wenn der Vakuumpopf sicher mit dem Behälterventil verbunden ist.
4. Drücken Sie die Starttaste, um die Vakuumversiegelung zu starten. Die Vakuuieranzeige am Behälter senkt sich während des Vakuumversiegelungsvorgangs nach innen ab. Unterbrechen Sie den Vorgang nicht.
Das Gerät stoppt automatisch, wenn der Behälter vollständig vakuumversiegelt ist.
5. Drücken Sie die beiden Entriegelungstasten am Vakuumpopf, um ihn anzuheben und entfernen Sie den versiegelten Behälter.

Mit den FoodSaver™-Frischebehältern können Sie Lebensmittel schnell marinieren. Legen Sie die Lebensmittel in den Behälter und bedecken Sie sie vollständig mit Marinade. Drücken Sie dann den Deckel fest auf.

Durchlaufen Sie die Schritte 2 - 5 unter *Vakuumversiegeln mit FoodSaver™-Frischebehältern*. Lassen Sie die Lebensmittel 20 Minuten lang vakuumversiegelt, um sicherzustellen, dass die Marinade die Lebensmittel vollständig durchdringt.

Vakuumversiegeln mit wiederverschließbaren FoodSaver™-Beuteln

Die wiederverschließbaren FoodSaver™-Frischebeutel sollten nur für die Lagerung im Kühl- oder Küchenschrank verwendet werden, nicht im Gefrierschrank. Verwenden Sie die Beutel nicht zur Vakuumversiegelung von Flüssigkeiten.

Wenn Sie feuchte Lebensmittel versiegeln, stellen Sie sicher, dass keine Flüssigkeit an das Beutelventil gerät und überprüfen und reinigen Sie ggf. den Sammelbehälter.

Siehe Abb. 3:

1. Legen Sie die zu versiegelnden Lebensmittel in den Beutel. Setzen Sie den Beutel unter Zuhilfenahme der Standplatte auf den Fuß und richten Sie das Beutelventil aus.
2. Drücken Sie beide Entriegelungstasten am Vakuumpopf, um dessen Höhe anzupassen. Führen Sie den Vakuumpopf Richtung Beutelventil, bis Sie ein Klicken vernehmen. Die grüne Bereitschaftsleuchte leuchtet auf.
Hinweis: Das grüne Lämpchen leuchtet nur, wenn der Vakuumpopf sicher mit dem Beutelventil verbunden ist.
3. Drücken Sie die Starttaste, um die Vakuumversiegelung zu starten. Das Gerät stoppt automatisch, wenn der Beutel vollständig vakuumversiegelt ist.
4. Drücken Sie die beiden Entriegelungstasten am Vakuumpopf, um ihn anzuheben und entfernen Sie den versiegelten Beutel.

Tipps für die Verwendung wiederverschließbarer FoodSaver™-Frischebeutel

- Überfüllen Sie die Beutel nicht. Lassen Sie immer etwas Platz zwischen dem Beutelinhalt und dem Reißverschluss. So kann sich das Beutelmateriale eng um die Lebensmittel legen.
- Streichen Sie mit den Fingern über den Reißverschluss, bevor Sie ihn in das Gerät einführen, um sicherzustellen, dass der Beutel geschlossen ist.
- Schützen Sie den Beutel beim Vakuumieren von Gegenständen mit scharfen Kanten (Spaghetti, Besteck usw.) vor Rissen, indem Sie die Gegenstände mit etwas polsterndem Material, z. B. Papierküchentüchern umgeben.

Tipps und Hinweise zur Lagerung

Vakuumverpackung und Lebensmittelschutz

Die Vakuumverpackung verlängert die Haltbarkeit von Lebensmitteln durch nahezu vollständiges Entfernen der Luft aus einer versiegelten Verpackung - und vermindert dadurch Oxidationsvorgänge, die sich auf Nährwert, Geschmack und die Gesamtqualität niederschlagen. Luftdichtes Verpacken verhindert die Bildung von Mikroorganismen, was unter gewissen Umständen Probleme verursachen kann.

Beim Konservieren von Lebensmitteln ist das Beibehalten niedriger Temperaturen sehr wichtig. Das Wachstum von Mikroorganismen wird bei Temperaturen von 4 °C und darunter bedeutend reduziert. Das Einfrieren bei -17 °C tötet Mikroorganismen nicht ab, hemmt aber deren Wachstum.

Zur Langzeitlagerung frieren Sie grundsätzlich sämtliche vakuumverpackten Lebensmittel ein, die leicht verderben können, und nach dem Auftauen im Kühlschrank aufbewahren. Die wiederverschließbaren FoodSaver™-Frischebeutel sollten nur für die Lagerung im Kühl- oder Küchenschrank verwendet werden, nicht im Gefrierschrank.

Hinweis: Vakuumverpacken ist KEIN Ersatz für Konservenfabrikation und kann den Prozess des Verderbens bei Lebensmitteln nicht rückgängig machen. Es kann die Veränderungen in der Produktqualität lediglich verlangsamen. Es ist schwer einzuschätzen, wie lange Lebensmittel Aroma, Aussehen und Konsistenz behalten werden, da dies von Alter und Zustand bei der Vakuumverpackung abhängt.

WICHTIG: Vakuumverpacken ersetzt das Tiefgefrieren oder Einfrieren NICHT. Jedes verderbliche Lebensmittel, das vor dem Vakuumverpacken eingefroren werden muss, muss auch nach dem Vakuumverpacken gekühlt oder eingefroren werden. Zur Vermeidung eventueller Erkrankungen die Beutel nach dem Aufbewahren von rohem Fleisch oder Fisch sowie fettigen Nahrungsmitteln nicht erneut verwenden.

Vakuumverpackte Lebensmittel auftauen und aufwärmen



Tauen Sie Lebensmittel immer im Kühlschrank oder in der Mikrowelle auf. Lassen Sie verderbliche Lebensmittel nie bei Raumtemperatur auftauen.

Um Lebensmittel in FoodSaver™-Frischebehältern aufzuwärmen, lösen Sie das Vakuumventil aber lassen Sie den Deckel ungeöffnet.

WICHTIG: Die wiederverschließbaren Frischebeutel von FoodSaver™ niemals in der Mikrowelle verwenden, um Lebensmittel aufzuwärmen oder auszutauen.

Richtlinien für die Zubereitung

Fleisch



Rindfleisch kann nach dem Vakuumversiegeln dunkler erscheinen, da Sauerstoff entzogen wurde. Dies deutet jedoch nicht darauf hin, dass das Fleisch verdorben ist.

Hartkäse



Vakuumversiegeln Sie Käse nach jedem Verzehr, um ihn frisch zu halten. Wenn Sie den Käse wieder versiegeln wollen, legen Sie ihn einfach wieder in den FoodSaver™-Frischebehälter oder -Frischebeutel und vakuumieren Sie ihn erneut.

WICHTIG: Aufgrund der Gefahren, die durch anaerobe Bakterien entstehen können, sollte Weichkäse nie vakuumversiegelt werden.

Gemüse



Gemüse muss vor der Vakuumversiegelung blanchiert werden. Dies unterbindet enzymatische Prozesse, die Geschmack, Farbe und Konsistenz beeinträchtigen können.

Blanchieren Sie Gemüse, indem Sie es in kochendem Wasser oder in der Mikrowelle erhitzen, bis es gekocht aber immer noch knackig ist. Blanchieren Sie Blattgemüse und Erbsen 1 bis 2 Minuten, Kaiserschoten, Zucchini-scheiben oder Brokkoli 3 bis 4 Minuten, Karotten 5 Minuten und Maiskolben 7 bis 11 Minuten.

Nach dem Blanchieren schrecken Sie das Gemüse in kaltem Wasser ab, um den Garprozess zu unterbrechen. Trocknen Sie das Gemüse vor dem Vakuumversiegeln mit einem Geschirrtuch.

Hinweis: Einige Lebensmittel (wie Brokkoli, Rosenkohl, Kohl, Blumenkohl, Grünkohl, Rüben und Bananen) geben während der Lagerung Reifegase ab. Sie können nach dem Blanchieren also nur im Gefrierschrank gelagert werden.

Beim Einfrieren von Gemüse wird empfohlen, dieses für ein bis zwei Stunden - oder bis es vollständig durchgefroren ist - vorzufrieren. Wenn Sie Gemüse in individuellen Portionen einfrieren, legen Sie es erst auf ein Backblech, so dass sich die einzelnen Portionen nicht berühren. So verhindern Sie, dass das Gemüse in einem einzigen Block gefriert. Wenn das Gemüse gefroren ist, nehmen Sie es vom Backblech und versiegeln es im FoodSaver™-Frischebehälter. Legen Sie das Gemüse nach dem Vakuumversiegeln wieder in den Gefrierschrank.

WICHTIG: Aufgrund der Gefahren, die durch anaerobe Bakterien entstehen können, sollten frische Pilze, Zwiebeln und Knoblauch nie vakuumversiegelt werden.

Blattgemüse



Waschen Sie das Blattgemüse und trocknen Sie es dann mit einem Geschirrtuch oder in einer Salatschleuder. Legen Sie das getrocknete Gemüse in einen FoodSaver™-Frischebehälter und vakuumversiegeln Sie es wie gewohnt. Lagern Sie es im Kühlschrank.

Obst



Versiegeln Sie Portionen zum Backen oder Früchtekombinationen, mit denen Sie das ganze Jahr über Ihren Lieblingsobstsalat zubereiten können. Für die Lagerung im Kühlschrank empfehlen wir die Verwendung von FoodSaver™-Frischebehältern.

Backwaren



Um die Form weicher oder luftiger Backwaren beizubehalten, empfehlen wir die Verwendung von FoodSaver™-Frischebehältern für die Vakuumversiegelung. Sparen Sie Zeit und bereiten Sie Teig, Pasteten und gefüllte Pasteten oder trockene Zutaten im Vorfeld vor und vakuumversiegeln Sie diese für die spätere Verwendung.

Kaffee und feinkörnige Lebensmittel



Um zu verhindern, dass Lebensmittelstückchen in die Vakuumpumpe gesogen werden, legen Sie einen Kaffeefilter oder ein Papiertuch oben in den Beutel oder in den Kanister, bevor Sie die Vakuumversiegelung starten. Sie können die Lebensmittel auch in der Originalverpackung in einen FoodSaver™-Frischebeutel legen oder einen FoodSaver™-Frischebehälter für die Vakuumversiegelung benutzen.

Flüssigkeiten



Lassen Sie heiße Flüssigkeiten auf Raumtemperatur abkühlen, bevor Sie sie in einem FoodSaver™-Frischebehälter versiegeln. Die Vakuumversiegelung heißer Flüssigkeiten kann zu einem Verlust des Vakuums führen.

Fehlerbehebung

Problem	Lösung
Das Gerät entfernt keinen Sauerstoff aus dem FoodSaver™-Frischebeutel.	<ul style="list-style-type: none">• Vergewissern Sie sich, dass der Beutel richtig geschlossen ist.• Das Luftventil liegt nicht auf einer flachen Oberfläche auf. Positionieren Sie den Beutel neu, so dass sich das Luftventil flach auf der Standplatte des Geräts befindet und sich keine Lebensmittel darunter befinden.
Die Vakuumdüse und das Luftventil berühren sich nicht.	<ul style="list-style-type: none">• Stellen Sie sicher, dass sich die Vakuumdüse mittig über dem grauen Kreis und flach auf dem Luftventil befindet. Drücken Sie sachte.
Aus dem Beutel wurde die Luft entfernt, es dringt jedoch wieder Luft ein.	<ul style="list-style-type: none">• Überprüfen Sie den Reißverschluss und das Ventil des Beutels. Speisereste am Reißverschluss oder Ventil können Undichtigkeiten verursachen, durch die Luft eintreten kann.• Es kann vorkommen, dass Feuchtigkeit oder Lebensmittelreste an den Versiegelungskanten des Reißverschlusses oder unter dem Ventil ein korrektes Verschließen des Beutels verhindern. Wischen Sie das Innere des Beutels um den Reißverschluss und unter dem Ventil ab und versuchen Sie es erneut.• Wenn Sie Lebensmittel mit scharfen Kanten vakuumversiegeln, wurde der Beutel möglicherweise durchstoßen. Verwenden Sie in diesem Fall einen neuen Beutel. Bedecken Sie scharfkantige Lebensmittel mit einem weichen Material (z. B. einem Papierküchentuch) und versiegeln Sie es erneut.
Die Vakuumierung mit den FoodSaver™-Frischebehältern funktioniert nicht.	<ul style="list-style-type: none">• Vergewissern Sie sich, dass die Gummidichtung am Deckelrand frei von Lebensmittlrückständen ist und fest aufsitzt.• Prüfen Sie den Behälterrand auf Risse oder Kratzer. Lücken können die Vakuumierung behindern. Prüfen Sie, ob das Vakuumierventil des Behälters sauber ist.• Vergewissern Sie sich, dass der Behälterdeckel an allen vier Ecken fest aufsitzt. Nehmen Sie den Deckel ab und drücken Sie ihn erneut fest.
Die LED-Leuchte am Gerät blinkt rot.	<ul style="list-style-type: none">• Das Gerät hat den Behälter oder Beutel nicht vollständig vakuumiert. Heben Sie den Vakuumpopf an und vergewissern Sie sich, dass der Behälter oder Beutel richtig geschlossen ist.• Prüfen Sie, ob der Sammelbehälter sauber ist und richtig eingeschoben ist, so dass keine Luft entweichen kann.• Schieben Sie den Vakuumpopf nach unten und drücken Sie ihn fest auf das Behälter- oder Beutelventil und drücken Sie die Starttaste. Der Vakuumiervorgang sollte nicht länger als 1 Minute dauern.
Die LED-Leuchte am Gerät blinkt grün.	<ul style="list-style-type: none">• Das Behälter- oder Beutelventil ist nicht richtig am Vakuumpopf befestigt. Schieben Sie den Vakuumpopf nach unten und drücken Sie ihn fest auf das Behälter- oder Beutelventil und drücken Sie die Starttaste.

Pflege und Reinigung

Trennen Sie das Gerät vor dem Reinigen immer vom Netz.

Wischen Sie das Gehäuse mit einem weichen, trockenen Tuch ab.

Entnehmen Sie nach jeder Benutzung den Sammelbehälter, um ihn zu reinigen. Halten Sie ihn dafür mit zwei Fingern fest und ziehen Sie ihn aus dem Vakuumpkopf. Reinigen Sie den Behälter mit warmem Seifenwasser und lassen Sie ihn gut an der Luft trocknen.

Sie können auch die Dichtung des Sammelbehälters entnehmen, um diese zu reinigen. Spülen Sie sie mit warmem Seifenwasser und lassen Sie sie gut trocknen, bevor Sie sie wieder einsetzen.

Stellen Sie sicher, dass der Vakuumschluss frei von Speiseresten ist. Wischen Sie ihn einem weichen, trockenen Tuch ab.

Lagerung

Vergewissern Sie sich, dass das Gerät sauber ist und lagern Sie es aufrecht auf einer flachen, ebenen Ablage in sicherer Entfernung zum Rand, wo keine Gefahr besteht, dass es umgestoßen wird.

Garantie

Bewahren Sie bitte unbedingt den Kaufbeleg auf. Dieser für die Geltendmachung von Garantieansprüchen zwingend erforderlich.

Die in diesem Dokument beschriebene Gerätegarantie gilt für einen Zeitraum von 2 Jahren ab Kaufdatum.

Sollte das Gerät entgegen aller Erwartungen innerhalb dieses Zeitraums aufgrund eines Konzeptions- oder Herstellungsfehlers nicht mehr einwandfrei funktionieren, können Sie es zusammen mit dem Kaufbeleg und einer Kopie dieses Garantiebelegs am Kaufort abgeben.

Die aus dieser Garantie erwachsenden Ansprüche und Leistungen sind als Ergänzung zu Ihren gesetzlichen Ansprüchen anzusehen. Diese werden von dieser Garantie nicht beeinträchtigt. Diese Bedingungen können ausschließlich durch Jarden Consumer Solutions (Europe) Limited ("JCS (Europe)") geändert werden.

JCS (Europe) verpflichtet sich innerhalb der Garantiedauer zur kostenlosen Reparatur oder zum kostenlosen Austausch des Geräts bzw. von Geräteteilen, die nachweislich nicht ordnungsgemäß funktionieren. Es gelten jedoch folgende Voraussetzungen:

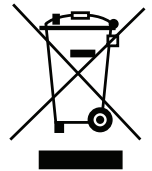
- Sie müssen den Händler oder JCS (Europe) unverzüglich über das Problem informieren.
- An dem Gerät wurden keinerlei Änderungen vorgenommen, es wurde nur bestimmungsgemäß eingesetzt, nicht beschädigt und nicht von Personen repariert, die von JCS (Europe) nicht autorisiert wurden.

Mängel, die auf unsachgemäße Nutzung, Beschädigung, nicht zugelassene elektrische Spannung, Naturgewalten, Ereignisse außerhalb der Kontrolle durch JCS (Europe), Reparaturen oder Änderungen durch Personen, die von JCS (Europe) nicht autorisiert wurden, oder Nichtbeachtung der Nutzungsanweisungen zurückzuführen sind, werden von dieser Garantie nicht abgedeckt. Außerdem sind durch normale Gebrauchsabnutzung entstandene Mängel, wie beispielsweise geringfügige Verfärbungen und Kratzer, von dieser Garantie ausgenommen. Die im Rahmen dieser Garantie eingeräumten Rechte gelten ausschließlich für den ursprünglichen Käufer und dürfen nicht auf die kommerzielle oder kommunale Nutzung ausgedehnt werden.

Falls Ihr Gerät mit einer länderspezifischen Garantie oder Gewährleistung geliefert wurde, sollten Sie sich nach deren Bedingungen und nicht nach dieser Garantie richten. Nötigenfalls kann Ihnen der örtliche Vertragshändler weitere Informationen geben.

Elektrische Altgeräte dürfen nicht über den Hausmüll entsorgt werden. Geben Sie, falls möglich, diese Geräte bei geeigneten Rücknahmestellen ab. Wenn Sie weitere Informationen zur Rücknahme und Entsorgung von Elektrogeräten erhalten möchten, senden Sie bitte eine E-Mail an die Adresse enquiriesEurope@jardencs.com

Jarden Consumer Solutions (Europe) Limited
5400 Lakeside
Cheadle Royal Business Park
Cheadle
SK8 3GQ
United Kingdom



Precauciones Importantes

Este aparato puede ser utilizado por niños a partir de 8 años de edad y por personas con disminución de capacidades físicas, sensoriales o mentales o sin experiencia ni conocimientos si reciben supervisión o instrucciones relativas al uso seguro del aparato y comprenden los riesgos que implica. Los niños no deben jugar con el aparato. Los niños no deben realizar la limpieza ni el mantenimiento sin supervisión.

Si el cable de alimentación está dañado, deberá sustituirlo el fabricante o el agente de servicio correspondiente, o bien una persona cualificada para este trabajo. De esta forma se evitarán riesgos.

- Utilice siempre el aparato sobre una superficie estable, segura, seca y horizontal.
- **PRECAUCIÓN: ESTE APARATO NO ESTÁ DISEÑADO PARA USO COMERCIAL.** No utilice nunca el aparato para ningún fin distinto de aquel para el que ha sido diseñado. Este aparato es para uso doméstico exclusivamente. No utilice este aparato al aire libre.
- Nunca sumerja parte alguna del aparato, el cable de alimentación o el conector en agua ni en ningún otro líquido.
- No utilice el aparato si este se ha caído al suelo o si presenta signos visibles de daños.
- Asegúrese de que el aparato está apagado y desconectado de la toma eléctrica después de usarlo y antes de limpiarlo.
- Para desconectar, desenchufe el cable de alimentación de la toma eléctrica. No desconecte el cable tirando de él.
- No utilice un cable alargador con el aparato.
- Utilice solo accesorios o piezas recomendados por el fabricante.

GUARDE ESTAS INSTRUCCIONES

El sistema FoodSaver™

Motivos para envasar al vacío

La exposición al aire hace que los alimentos pierdan valores nutricionales y sabor, y también provoca quemaduras de congelación y permite el desarrollo de muchas bacterias, moho y fermentos. El sistema de envasado al vacío FoodSaver™ elimina el aire y mantiene el sabor y la calidad gracias al sellado. Ahora puede disfrutar de las ventajas de un método de almacenamiento de alimentos comprobado científicamente que mantiene la frescura de estos durante más tiempo.

El sistema FoodSaver™ permite ahorrar tiempo y dinero

- **Gaste menos dinero.** Con el sistema FoodSaver™, puede comprar grandes cantidades o comprar cuando hay descuentos y envasar al vacío los alimentos en las porciones deseadas sin tener que tirar comida.
- **Ahorre más tiempo.** Cocine para toda la semana preparando comidas y guardándolas en las bolsas FoodSaver™.
- **Macere en pocos minutos.** El envasado al vacío abre los poros de los alimentos, de modo que puede obtener la maceración deseada en sólo 20 minutos en lugar de tener que esperar al día siguiente.
- **Reciba invitados con menos esfuerzo.** Prepare por adelantado su especialidad y los platos típicos de las festividades y podrá pasar más tiempo con sus invitados.
- **Disfrute de los alimentos de temporada o especiales.** Mantenga frescos durante más tiempo los alimentos altamente perecederos o los que se consumen poco.
- **Controle las porciones de las dietas.** Envase al vacío las porciones adecuadas y escriba el número de calorías y/o gramos de grasa en la bolsa.
- **Proteja artículos no comestibles.** Los artículos de camping y navegación estarán secos y bien organizados cuando los necesite. Evite que la plata brillante pierda su brillo minimizando su exposición al aire.

Accesorios FoodSaver™

Aproveche al máximo su envasadora FoodSaver™ con los recipientes y bolsas fáciles de usar de FoodSaver™.

Bolsas con cierre tipo zip FoodSaver™

Las Bolsas con cierre tipo zip FoodSaver™ presentan unos canales especiales que permiten extraer el aire de forma eficiente. Su fabricación en múltiples capas las convierte en una barrera especialmente eficaz contra el oxígeno y la humedad.

FoodSaver™ Fresh Containers: recipientes para envasar alimentos frescos o cocinados

Los recipientes de alimentos frescos FoodSaver™ son fáciles de usar e idóneos para envasar al vacío alimentos delicados, tales como las magdalenas y otros artículos de repostería, líquidos y alimentos secos.

Dónde comprar

Para saber dónde comprar bolsas, rollos y accesorios FoodSaver™, visite www.foodsavereurope.com y seleccione su región.

Piezas

Observe la Fig. 1:

- | | |
|----------------------------------|---------------------------|
| A Botón de inicio | E Base |
| B Luz de preparado | F Puerto de vacío |
| C Botón de liberación (2) | G Depósito |
| D Plataforma | H Cabezal de vacío |

Utilización del Sistema de envasado al vacío

Envasado al vacío con FoodSaver™ Fresh Containers: recipientes para envasar alimentos frescos o cocinados

Observe la Fig. 2:

1. Coloque el artículo que se va a envasar al vacío en el recipiente. Coloque la tapa sobre la base del recipiente. Presione firmemente por las esquinas para asegurarse de que la tapa está bien cerrada.
2. Coloque el recipiente sobre la base utilizando la plataforma como guía.
3. Presione ambos botones de liberación del cabezal de vacío para ajustar su altura. Guíe el cabezal de vacío hasta la válvula del recipiente hasta que se ajuste con un «clic». Se encenderá la luz verde de preparado.
Nota: La luz verde solo se enciende si el cabezal de vacío ha establecido un contacto seguro con la válvula del recipiente.
4. Pulse el Botón de inicio para comenzar el proceso de envasado al vacío. El indicador de vacío del recipiente bajará al principio del proceso de envasado al vacío. No detenga el proceso. El aparato se detendrá automáticamente cuando el recipiente haya quedado completamente sellado al vacío.
5. Pulse ambos botones de liberación del cabezal de vacío para levantarlo y después retirarlo del recipiente sellado.

Puede marinar alimentos rápidamente utilizando los Recipientes de alimentos frescos FoodSaver™. Coloque el alimento en el recipiente, cúbralo por completo con el marinado que desee utilizar y presione firmemente la tapa para cerrarla.

Posteriormente podrá seguir los pasos 2 a 5 de *Envasado al vacío con FoodSaver™ Fresh Containers: recipientes para envasar alimentos frescos o cocinados*. Deje el alimento envasado al vacío durante 20 minutos para asegurarse de que el marinado penetra en el alimento.

Envasado al vacío con Bolsas con cierre tipo zip FoodSaver™

Las Bolsas con cierre tipo zip FoodSaver™ solo deben utilizarse para almacenar alimentos frescos en el frigorífico o la despensa, no en el congelador. No las utilice para envasar al vacío líquidos.

Si va a envasar alimentos húmedos, asegúrese de que el líquido no llega a la válvula de la bolsa con cierre tipo zip y compruebe y limpie el depósito del aparato cuando sea necesario.

Observe la Fig. 3:

1. Coloque el artículo que se va a envasar al vacío en la bolsa. Coloque la bolsa sobre la base utilizando la plataforma como guía y alinee la válvula de la bolsa.
2. Presione ambos botones de liberación del cabezal de vacío para ajustar su altura. Guíe el cabezal de vacío hasta la válvula de la bolsa hasta que se ajuste con un «clic». Se encenderá la luz verde de preparado.
Nota: La luz verde solo se enciende si el cabezal de vacío ha establecido un contacto seguro con la válvula de la bolsa.
3. Pulse el Botón de inicio para comenzar el proceso de envasado al vacío. El aparato se detendrá automáticamente cuando la bolsa haya quedado completamente sellada al vacío.
4. Pulse ambos botones de liberación del cabezal de vacío para levantarlo y después retire la bolsa sellada.

Consejos para la utilización de Bolsas con cierre tipo zip FoodSaver™

- No las llene en exceso; deje siempre espacio entre el contenido de la bolsa y el cierre tipo zip. Esto permite que haya espacio para que el material de la bolsa se selle herméticamente con los alimentos.
- Asegúrese de que desliza los dedos por el cierre tipo zip para cerrar la bolsa antes de colocarla en el aparato.
- Al envasar al vacío artículos con bordes afilados (espaguetis secos, cubertería, etc.), evite agujerear la bolsa envolviendo dichos artículos en material blando, como, por ejemplo, papel de cocina.

Guía, sugerencias y trucos de almacenamiento

Envasado al vacío y seguridad de los alimentos

El envasado al vacío amplía la duración de los alimentos al extraer la mayor parte del aire del recipiente sellado, con lo que se reduce la oxidación, que afecta al valor nutricional, al sabor y a la calidad general. La extracción del aire también puede inhibir el crecimiento de microorganismos, que pueden causar problemas bajo determinadas condiciones.

Para conservar los alimentos con seguridad, es muy importante que los mantenga a temperaturas bajas. Puede reducir significativamente el desarrollo de microorganismos a temperaturas de 4°C o inferiores. La congelación a -17°C no mata a los microorganismos, pero detiene su desarrollo. Para un almacenamiento a largo plazo, congele siempre los alimentos perecederos que se han envasado al vacío, y manténgalos refrigerados después de descongelarlos. Las Bolsas con cierre tipo zip FoodSaver™ solo deben utilizarse para almacenar alimentos frescos en el frigorífico o la despensa, no en el congelador.

Es importante señalar que el envasado al vacío NO sustituye el enlatado y la esterilización y que invertir el deterioro de los alimentos. Sólo puede ralentizar los cambios de calidad. Es difícil predecir cuánto tiempo mantendrán los alimentos un sabor, una apariencia o una textura excelentes porque depende de la edad y la condición de los alimentos el día que se empaquetaron al vacío.

IMPORTANTE: El envasado al vacío NO sustituye la refrigeración ni la congelación. Todos los alimentos perecederos que requieran refrigeración se deben seguir refrigerando o congelando después de empaquetarlos al vacío. Para evitar enfermedades, no reutilice las bolsas en las que haya guardado carnes o pescados crudos o alimentos con grasa.

Descongelación y recalentamiento de alimentos envasados al vacío



Descongele siempre los alimentos en el frigorífico o en horno microondas —no descongele alimentos perecederos a temperatura ambiente.

Para recalentar alimentos en microondas en un Recipiente de alimentos frescos FoodSaver™, libere la válvula de vacío y deje puesta la tapa.

IMPORTANTE: Las bolsas con cierre tipo zip de FoodSaver™ no son aptas para descongelar ni recalentar comida en microondas.

Directrices de preparación

Carne



La ternera puede parecer más oscura tras envasarla al vacío debido a la extracción del oxígeno. Dicho oscurecimiento no debe considerarse como indicio de que la ternera ya no es comestible.

Quesos duros



Para mantener frescos estos quesos, enváselos al vacío después de cada uso. Cuando esté preparado para volver a envasar el queso, simplemente colóquelo otra vez en el Recipiente de alimentos frescos o la Bolsa con cierre tipo zip FoodSaver™ y enváselo al vacío de nuevo.

IMPORTANTE: Debido al riesgo que suponen las bacterias anaerobias, los quesos blandos no deben nunca envasarse al vacío.

Verduras



Las verduras deben cocerse antes de envasarse al vacío. Este proceso detiene la acción de las enzimas que podrían provocar pérdida de sabor, color y textura.

Para escaldar verduras, colóquelas en agua hirviendo o en el microondas hasta que estén cocinadas pero aún estén crujientes. El tiempo de escaldado oscila entre 1 y 2 minutos para hojas verdes y guisantes; 3 y 4 minutos para guisantes tirabeques, calabacín en rodajas o brócoli; 5 minutos para la zanahoria; y 7 y 11 minutos para la mazorca de maíz.

Tras escaldar las verduras, sumérlas en agua fría para detener el proceso de cocción. Finalmente, seque las verduras con papel de cocina antes de envasarlas al vacío.

Nota: Algunos alimentos (entre ellos el brócoli, las coles de Bruselas, el repollo, la coliflor, la col rizada, el nabo y el plátano) emiten de forma natural gases durante su almacenamiento. Por consiguiente, una vez escaldados, deben almacenarse únicamente en el congelador.

Al congelar verduras, es conveniente pre congelarlas durante 1-2 horas o hasta que estén totalmente congeladas. Para congelar verduras en raciones individuales, coloque primero una bandeja de horno y espárzalas para que no estén en contacto. Esto evita que se congelen formando un bloque. Cuando estén congeladas las verduras, retírelas de la bandeja de horno y enváselas al vacío en un Recipiente de alimentos frescos FoodSaver™. Tras envasarlas al vacío, vuelva a meter las verduras en el congelador.

IMPORTANTE: Debido al riesgo que suponen las bacterias anaerobias, las setas frescas, la cebolla y el ajo no deben nunca envasarse al vacío.

Verduras de hojas



Lave primero las verduras y luego séquelas con papel de cocina o una centrifugadora de verduras. Una vez secas, métalas en un Recipiente de alimentos frescos FoodSaver™ y enváselas al vacío de la forma habitual. Guárdelas en el frigorífico.

Frutas



Puede envasar al vacío raciones para hornear, o bien combinándolas como desee para disfrutar de ensaladas de fruta todo el año. Si las guarda en el frigorífico, recomendamos utilizar un Recipiente de alimentos frescos FoodSaver™.

Alimentos horneados



Para envasar al vacío alimentos horneados frágiles, recomendamos utilizar un Recipiente de alimentos frescos FoodSaver™ para que conserven su forma. Para ahorrar tiempo, prepare de antemano masa de galletas, bases de tartas, tartas completas o mezcla de ingredientes secos y enváselas al vacío para utilizarlas posteriormente.

Café y alimentos en polvo



Para evitar que penetren partículas de alimentos en la bomba de vacío, coloque un filtro de café o papel de cocina en la parte superior de la bolsa o el recipiente antes de envasar al vacío. También puede colocar los alimentos en su bolsa original dentro de una Bolsa con cierre tipo zip FoodSaver™ o utilizar un Recipiente de alimentos frescos FoodSaver™ para envasar al vacío.

Líquidos



Espere a que los líquidos calientes se enfríen a temperatura ambiente antes de envasarlos al vacío en un Recipiente de alimentos frescos FoodSaver™. El envasado al vacío de líquidos calientes puede provocar una pérdida de vacío.

Solución de problemas

Problema	Solución
El aparato no extrae el aire de la Bolsa con cierre tipo zip FoodSaver™.	<ul style="list-style-type: none">• Asegúrese de que la bolsa esté firmemente cerrada.• La válvula de aire no está en una superficie plana. Vuelva a colocar la bolsa de forma que la válvula de aire quede plana sobre la plataforma del aparato y sin comida debajo.
La boquilla de vacío y la válvula de aire no están haciendo contacto.	<ul style="list-style-type: none">• Asegúrese de que la boquilla de vacío está centrada sobre el círculo gris y plana sobre la válvula de aire. Presione moderadamente.
Se ha extraído aire de la bolsa pero ha vuelto a entrar.	<ul style="list-style-type: none">• Examine el cierre tipo zip y la válvula de la bolsa. La presencia de restos de comida en el cierre tipo zip o la válvula puede provocar una fuga que haga que entre el aire.• A veces la humedad o la comida situada a lo largo de los bordes de sellado del cierre tipo zip o debajo de la válvula impide que la bolsa se selle correctamente. Limpie la parte interior de la bolsa situada alrededor del cierre tipo zip y debajo de la válvula e intente volver a sellarla.• Si está envasando al vacío alimentos afilados, es posible que la bolsa tenga un agujero. Si es así, utilice una bolsa nueva. Cubra los alimentos afilados con un material blando, por ejemplo, papel de cocina, y vuelva a envasarlos.
El Recipiente de alimentos frescos FoodSaver™ no crea vacío.	<ul style="list-style-type: none">• Asegúrese de que la junta de goma situada en el interior de la tapa no presenta comida y está bien colocada.• Examine el borde del recipiente para comprobar si presenta alguna raja o arañazo. La presencia de cualquier hueco puede impedir que se cree vacío en el recipiente. Asegúrese de que la válvula de vacío del recipiente está limpia.• Asegúrese de que la tapa del recipiente está bien cerrada por las cuatro esquinas; quite la tapa y vuelva a presionar sobre ella.
La luz LED del aparato parpadea en color rojo.	<ul style="list-style-type: none">• Esto indica que el aparato no ha sellado por completo el recipiente o la bolsa. Levante el cabezal de vacío y asegúrese de que el recipiente o la bolsa están correctamente cerrados.• Asegúrese de que el depósito de líquidos está limpio y bien colocado para que no entre aire.• Baje el cabezal de vacío y presiónelo firmemente sobre la válvula del recipiente o la bolsa y pulse el Botón de inicio. El proceso de vacío no deberá durar más de 1 minuto.
La luz LED del aparato parpadea en color verde.	<ul style="list-style-type: none">• Esto indica que la válvula del recipiente o la bolsa no está ajustada correctamente al cabezal de vacío. Baje el cabezal de vacío y presiónelo firmemente sobre la válvula del recipiente o la bolsa y pulse el Botón de inicio.

Conservación y limpieza

Desconecte siempre el aparato antes de limpiarlo.

Pase un paño suave y seco por la carcasa del aparato.

Deslice y extraiga el depósito después de cada uso para limpiar la humedad que haya podido acumularse. Para extraer el depósito, sujételo con dos dedos y tire hacia abajo para sacarlo del cabezal de vacío. Lávelo en agua caliente jabonosa y déjelo secar por completo al aire.

La junta del depósito también puede extraerse para limpiarla. Lávela con agua caliente jabonosa y déjela secar por completo al aire antes de volver a colocarla.

Compruebe que el puerto de vacío no presenta restos de comida. Límpielo con un paño seco y suave.

Almacenamiento

Asegúrese de que el aparato está limpio y guárdelo verticalmente sobre una superficie plana y horizontal, alejado de los bordes, donde no pueda caer accidentalmente.

Garantía

Guarde este recibo ya que lo necesitará para cualquier reclamación dentro de esta garantía.

Este producto tiene una garantía de 2 años desde la fecha de compra tal como se describe en este documento.

Durante este período de garantía, en el improbable caso de que el aparato ya no funcione debido a un fallo de diseño o fabricación, devuélvalo al lugar donde lo compró con su recibo de caja y una copia de esta garantía.

Los derechos y ventajas de esta garantía son adicionales a sus derechos estatutarios, que no se verán afectados por esta garantía. Sólo Jarden Consumer Solutions (Europe) Limited ("JCS (Europe)") tiene derecho a cambiar estos términos.

JCS (Europe) se compromete, durante el período de garantía, a reparar o cambiar el aparato, o cualquier parte del aparato que no funcione correctamente, de manera gratuita siempre que:

- Informe inmediatamente al establecimiento de compra o a JCS (Europe) del problema; y
- No se haya modificado el aparato de ninguna forma ni se haya sometido a daños, uso indebido, mal uso o reparación por cualquier otra persona no autorizada por JCS (Europe).

Los fallos que se produzcan por uso indebido, daños, mal uso, uso con un voltaje incorrecto, desastres naturales, acontecimientos que escapen al control de JCS (Europe), reparaciones o modificaciones realizadas por una persona no autorizada por JCS (Europe) o por no seguir las instrucciones de uso no están cubiertas por esta garantía. Además, el desgaste o deterioro debidos al uso normal, incluidos, sin limitación, los arañazos y las pequeñas decoloraciones no están cubiertos por esta garantía.

Los derechos de esta garantía sólo se aplicarán al comprador original y no se cubrirán el uso comercial o comunitario.

Si el aparato incluye una garantía específica de algún país, consulte los términos y condiciones de dicha garantía en sustitución de la presente garantía, o póngase en contacto con el comerciante autorizado de su localidad para obtener más información.

Los productos eléctricos desechados no se deben eliminar con la basura doméstica. Recícelos donde existan instalaciones para tal fin. Envíenos un mensaje de correo electrónico a enquiriesEurope@jardencs.com para obtener más información sobre WEEE y el reciclaje.

Jarden Consumer Solutions (Europe) Limited
Edif. Vázquez Krasnow
C/ Camino de la Zarzuela, 21
1º - Oficina 1B
28023 – Aravaca
Madrid, España
Tel: +34 90 2051506



Instruções de Segurança Importantes

Este aparelho pode ser utilizado por crianças com mais de 8 anos e pessoas com capacidades físicas, sensoriais ou mentais reduzidas ou falta de experiência e conhecimento, se forem supervisionadas ou receberem instruções relacionadas com a utilização do aparelho numa área segura e compreenderem os riscos envolvidos. As crianças não devem brincar com o aparelho. A limpeza e manutenção de utilização não deve ser feita por crianças sem supervisão.

Se o cabo de alimentação estiver danificado, deve ser substituído pelo fabricante, o respetivo agente de assistência ou pessoas semelhantes qualificadas, a fim de evitar acidentes.

- Utilize sempre o aparelho numa superfície estável, segura, seca e nivelada.
- **ATENÇÃO: ESTE APARELHO NÃO SE DESTINA A UTILIZAÇÃO COMERCIAL.** Nunca utilize este aparelho com outro objetivo que não aquele para o qual foi criado. Este aparelho serve apenas para utilização doméstica. Não utilize este aparelho em espaços exteriores.
- Nunca submerja qualquer parte do utensílio ou cabo e ficha de alimentação em água ou qualquer outro líquido.
- Não utilize o utensílio, caso ele tenha caído ou se estiver sinais visíveis de danos.
- Certifique-se de que o aparelho está desligado e a ficha desligada da tomada elétrica antes de o limpar.
- Para o desligar, desligue o cabo de alimentação da tomada elétrica. Não desligue puxando o cabo.
- Não utilize uma extensão com o aparelho.
- Utilize apenas acessórios ou junções recomendados pelo fabricante.

LEIA E GARDE ESTAS INSTRUÇÕES IMPORTANTES

O Sistema FoodSaver™

Porquê embalar a comida em vácuo?

A exposição ao ar faz com que a comida perca nutrientes e sabor, provoca também queimaduras devido à congelação e permite que se desenvolvam muitas bactérias, bolor e levedura. O sistema para embalar em vácuo FoodSaver™ retira o ar e fecha hermeticamente o sabor e a qualidade. Pode agora desfrutar dos benefícios de um método cientificamente comprovado de armazenamento de comida que a mantém fresca durante um período cinco vezes superior ao habitual.

O Sistema FoodSaver™ Poupa Tempo e Dinheiro.

- **Gaste menos dinheiro.** Com o sistema FoodSaver™, pode comprar alimentos em grande quantidade ou em promoção e embalá-los em vácuo nas quantidades pretendidas sem desperdiçar comida.
- **Poupe mais tempo.** Cozinhe com antecedência para toda a semana, preparando as refeições e guardando-as em sacos FoodSaver™.
- **Marinar em minutos.** Embalar em vácuo abre os poros dos alimentos para que consiga obter aquele sabor fantástico da marinada em apenas 20 minutos em vez de demorar a noite toda.
- **Mais tempo para se divertir.** Confeccione a sua especialidade e os acepipes para as férias com antecedência para que possa passar mais tempo com os convidados.
- **Desfrute de alimentos da estação ou especiais.** Mantenha os itens com maior probabilidade de deterioração ou utilizados com menos frequência frescos durante mais tempo.
- **Controle as porções para a dieta.** Embale em vácuo porções razoáveis e escreva as calorias ou gramas de gordura no saco.
- **Proteja itens não alimentares.** Mantenha o equipamento de campismo e do barco seco e organizado para quando sai. Evite que a prata polida perca o brilho minimizando a exposição ao ar.

Acessórios FoodSaver™

Aproveite ao máximo o aparelho FoodSaver™ com sacos e recipientes FoodSaver™ fáceis de utilizar.

Sacos FoodSaver™ Zipper Bags

Os Sacos FoodSaver™ Zipper Bags incluem canais especiais que permitem uma remoção eficiente do ar. A formação de camadas múltiplas torna-os uma barreira especialmente resistente ao oxigénio e à humidade.

Recipientes FoodSaver™ Fresh

Os recipientes FoodSaver™ Fresh são fáceis de utilizar e ideais para embalar em vácuo alimentos delicados como queques e outros produtos de padaria, líquidos e produtos secos.

Encomendas

Para encomendar os sacos, rolos e acessórios FoodSaver™, visite por favor www.foodsavereurope.com e selecione a região.

Peças

Ver Fig. 1:

- | | |
|-----------------------------------|----------------------------|
| A Botão de Início | E Base |
| B Luz de pronto a utilizar | F Abertura de vácuo |
| C Botão de libertação (x2) | G Depósito |
| D Plataforma | H Cabeça de vácuo |

Como utilizar o sistema de embalagem a vácuo

Fechar a vácuo com recipientes FoodSaver™ Fresh

Ver Fig. 2:

1. Coloque o alimento a selar a vácuo dentro do recipiente. Encaixe a tampa na base do recipiente. Pressione bem todos os cantos para garantir que a tampa está selada.
2. Coloque o recipiente sobre a base, utilizando a plataforma como guia.
3. Pressione os dois botões de libertação na cabeça de vácuo para ajustar a altura. Oriente a cabeça de vácuo sobre a válvula do recipiente até dar um estalido. A luz verde de pronto a utilizar irá acender-se.

Nota: A luz verde só irá acender-se se a cabeça de vácuo tiver feito contacto firme com a válvula do recipiente.

4. Prima o botão de Início para iniciar o processo de embalar a vácuo. O indicador de vácuo no recipiente fará uma covinha para dentro bem cedo durante o processo de embalar a vácuo. Não interrompa o processo. O aparelho para automaticamente quando o recipiente estiver completamente sob vácuo.
5. Pressione os dois botões de libertação na cabeça de vácuo para a elevar e, depois, retire o recipiente selado.

É possível marinar os alimentos rapidamente utilizando os recipientes FoodSaver™ Fresh para conservação de alimentos frescos. Coloque os alimentos no recipiente, cubra totalmente com a sua mistura preferida para marinada, e pressione a tampa firmemente para selar.

Em seguida, siga os passos 2-5 para *Fechar a vácuo com recipientes FoodSaver™ Fresh*. Para se certificar que a marinada penetra bem nos alimentos, deixe os alimentos repousar a vácuo durante 20 minutos.

Fechar a vácuo com sacos FoodSaver™ Fresh Zipper Bags

Os sacos FoodSaver™ Fresh Zipper Bags devem ser utilizados apenas para arrumação (no frigorífico ou na despensa) e não no congelador. Não utilize para embalar a vácuo líquidos.

Quando embalar a vácuo alimentos húmidos, certifique-se de que o líquido não chega à válvula do saco com fecho, verifique e limpe o depósito do aparelho sempre que necessário.

Ver Fig. 3:

1. Coloque o alimento a ser embalado a vácuo dentro do saco. Coloque o saco sobre a base, utilizando a plataforma como guia, e alinhe a válvula do saco.
2. Pressione os dois botões de libertação na cabeça de vácuo para ajustar a altura. Oriente a cabeça de vácuo sobre a válvula do saco até dar um estalido. A luz verde de pronto a utilizar irá acender-se.
Nota: A luz verde só irá acender-se se a cabeça de vácuo tiver feito contacto firme com a válvula do saco.
3. Prima o botão de Início para iniciar o processo de embalar a vácuo. O aparelho para automaticamente quando o saco estiver completamente sob vácuo.
4. Pressione os dois botões de libertação na cabeça de vácuo para a elevar e, depois, retire o saco selado.

Dicas para os sacos FoodSaver™ Fresh Zipper Bags

- Evite encher em excesso; deixe ficar sempre espaço entre o conteúdo do saco e o fecho. Deste modo existe espaço para que o material do saco adira bem em torno dos alimentos.
- Não se esqueça de deslizar os dedos sobre o fecho para fechar o saco antes de o colocar sobre o aparelho.
- Quando estiver a embalar a vácuo produtos com arestas cortantes (esparguete seco, talheres, etc.), proteja o saco contra furos embalando os itens com material de acolchoamento macio, como papel de cozinha.

Guia de Armazenamento, Dicas e Sugestões

Embalar em Vácuo e Segurança dos Alimentos

O processo de embalar em vácuo prolonga a validade dos alimentos removendo a maior parte do ar do recipiente selado, reduzindo assim a oxidação, que afeta o valor nutricional, o sabor e a qualidade geral. A remoção do ar pode também inibir o crescimento de micro-organismos, o que pode causar problemas em determinadas condições.

Para preservar os alimentos em segurança, é fundamental que os mantenha a temperaturas baixas. Pode reduzir de forma significativa o crescimento de micro-organismos até uma temperatura de 4°C ou inferior.

Congelar a -17°C não destrói os micro-organismos, mas impede-os de crescer. Para um armazenamento de longa duração, congele sempre alimentos perecíveis tendo sido embalados em vácuo, e mantenha-os frescos após a descongelação. Os sacos FoodSaver™ Fresh Zipper Bags devem ser utilizados apenas para arrumação (no frigorífico ou na despensa) e não no congelador.

É importante ter em consideração que embalar em vácuo NÃO é um substituto para o processo de conservação e não pode reverter o processo de deterioração dos alimentos. Só pode abrandar as alterações na qualidade. É difícil prever durante quanto tempo os alimentos mantêm a melhor qualidade em termos de sabor, aspeto ou textura, porque isso depende da "idade" e condição do alimento no dia em que foi embalado em vácuo.

IMPORTANTE: Embalar em vácuo NÃO é um substituto para refrigeração ou congelação. Todos os alimentos perecíveis ainda devem ser refrigerados ou congelados depois de serem embalados em vácuo. Para evitar possíveis contaminações, não reutilize sacos após guardar carnes ou peixes crus ou alimentos com gordura.

Descongelar e reaquecer alimentos embalados a vácuo



Descongele sempre os alimentos num frigorífico ou num micro-ondas — não descongele alimentos perecíveis à temperatura ambiente.

Para reaquecer alimentos num micro-ondas num Recipiente FoodSaver™ Fresh, abra a válvula de vácuo e não retire a tampa.

IMPORTANTE: Os sacos FoodSaver™ com fecho zip não são adequados para descongelar ou aquecer alimentos no microondas.

Linhas de orientação para preparação

Carne



A carne de vaca pode ficar mais escura depois de ser embalada a vácuo por causa da remoção do oxigénio. Isto não é um sinal de deterioração.

Queijos duros



Para manter o queijo fresco, embale-o a vácuo após cada utilização. Quando estiver pronto para voltar a selar o queijo, basta colocá-lo novamente no recipiente FoodSaver™ Fresh ou Fresh Zipper Bag e embale-o a vácuo outra vez.

IMPORTANTE: Devido ao risco de bactérias anaeróbias, os queijos moles nunca devem ser embalados a vácuo.

Vegetais



Os vegetais devem ser escaldados antes da embalagem a vácuo. Este processo impede a ação das enzimas que poderia resultar na perda do sabor, cor e textura.

Para escaldar vegetais, coloque-os em água a ferver ou no micro-ondas até ficarem cozidos mas ainda estaladiços. Os tempos de escaldação variam entre 1 a 2 minutos para vegetais com folha e ervilhas; 3 a 4 minutos para ervilhas de vagem, courgette fatiada ou brócolos; 5 minutos para cenouras; e 7 a 11 minutos para maçaroca.

Depois de escaldar, emerja os vegetais em água fria para interromper o processo de cozedura. Por último, seque os vegetais com um pano de cozinha antes de selar a vácuo.

Nota: Alguns alimentos (incluindo os brócolos, as couves de bruxelas, a couve lombarda, a couve-flor, o kale, os nabos e as bananas) emitem naturalmente gases enquanto estão guardadas. Por este motivo, depois de escaldados, apenas podem ser guardados no congelador.

Quando congelar vegetais, é melhor pré-congelá-los previamente durante 1-2 horas ou até estarem totalmente congelados. Para congelar vegetais em porções individuais, primeiro espalhe-os sobre papel vegetal de modo a não se tocarem. Deste modo, impede que congelem juntos, formando um bloco. Quando estiverem congelados, retire os vegetais do papel vegetal e embale a vácuo num Recipiente FoodSaver™ Fresh. Depois de os embalar a vácuo, volte a colocá-los no congelador.

IMPORTANTE: Devido ao risco de bactérias anaeróbias, os cogumelos, as cebolas e os alhos frescos nunca devem ser embalados a vácuo.

Vegetais de folha



Lave primeiro os vegetais e, depois, seque-os com um pano da loiça ou centrífugadora para saladas. Quando estiverem secos, coloque-os num Recipiente FoodSaver™ Fresh e sele a vácuo normalmente. Guarde no frigorífico.

Frutas



Podemos embalar a vácuo porções para fazer bolos, ou nas suas combinações preferidas para confeccionar facilmente saladas de fruta todo o ano. Se guardar no frigorífico, recomendamos que utilize o Recipiente FoodSaver™ Fresh.

Alimentos de padaria



Para embalar a vácuo alimentos de padaria moles ou fofos, recomendamos a utilização do Recipiente FoodSaver™ Fresh, de modo a conservarem o seu formato. Para poupar tempo, faça a massa para biscoitos, a massa para tartes, as tartes inteiras ou misture ingredientes secos antecipadamente e embale a vácuo para utilizar mais tarde.

Café ou alimentos em pó



Para evitar que as partículas dos alimentos passem para a bomba de vácuo, coloque um filtro de café ou papel de cozinha no cimo do saco ou recipiente antes de embalar a vácuo. Também pode colocar os alimentos no respetivo saco original dentro de um saco FoodSaver™ Fresh Zipper Bag, ou utilizar um Recipiente FoodSaver™ Fresh para embalar a vácuo.

Líquidos



Deixe os líquidos quentes arrefecerem até à temperatura ambiente antes de embalar a vácuo num Recipiente FoodSaver™ Fresh. Embalar a vácuo os líquidos quando estão quentes pode resultar em perda de vácuo.

Resolução de problemas

Problema	Solução
O aparelho não está a aspirar o ar que se encontra dentro do saco FoodSaver™ Fresh Zipper Bag.	<ul style="list-style-type: none">• Certifique-se de que o saco está bem fechado.• A válvula de ar não se encontra sobre uma superfície plana. Mude a posição do saco de modo que a válvula de ar fique nivelada sobre a plataforma do aparelho, sem alimentos por baixo.
O bico do vácuo e a válvula de ar não estão em contacto.	<ul style="list-style-type: none">• Certifique-se de que o bico de vácuo fica centrado sobre o círculo cinzento e nivelado sobre a válvula de ar. Aplique pressão moderada.
O ar foi retirado do saco mas voltou agora a entrar.	<ul style="list-style-type: none">• Examine o fecho e a válvula do saco. Restos de alimentos no fecho ou na válvula podem causar fugas e deixar entrar ar.• Por vezes, a existência de humidade ou restos de alimentos ao longo dos rebordos de selagem do fecho, ou por baixo da válvula, impedem a correta selagem do saco. Limpe o interior do saco em torno do fecho e por baixo da válvula e tente selar novamente.• Se estiver a embalar a vácuo alimentos com arestas, é possível que o saco tenha sido perfurado. Utilize outro saco se houver um buraco. Cubra os alimentos com arestas com material de acolchoamento macio como, por exemplo, papel de cozinha, e volte a selar.
O Recipiente FoodSaver™ Fresh não veda a vácuo.	<ul style="list-style-type: none">• Certifique-se de que o vedante de borracha no interior da tampa está livre de alimentos e bem posicionado.• Verifique se o aro do recipiente apresenta rachas ou riscos. Quaisquer aberturas podem impedir o funcionamento correto do vácuo no recipiente. Certifique-se de que a válvula de vácuo do recipiente se encontra limpa.• Certifique-se de que a tampa do recipiente está bem fechada nos 4 cantos; retire a tampa e pressione novamente.
A luz LED no aparelho pisca a vermelho.	<ul style="list-style-type: none">• Esta ocorrência significa que o aparelho não selou completamente o recipiente ou o saco. Levante a cabeça de vácuo e certifique-se de que o recipiente ou o saco está bem fechado.• Certifique-se de que o depósito de líquido está corretamente limpo e encaixado de modo a não haver fugas de ar.• Desloque a cabeça de vácuo para baixo e pressione-a firmemente sobre a válvula do recipiente ou do saco e prima o botão Iniciar. O processo de vácuo não deve demorar mais do que 1 minuto.
A luz LED no aparelho pisca a verde.	<ul style="list-style-type: none">• Esta ocorrência indica que a válvula do recipiente ou do saco não está corretamente encaixada na cabeça de vácuo. Desloque a cabeça de vácuo para baixo e pressione-a firmemente sobre a válvula do recipiente ou do saco e prima o botão Iniciar.

Cuidados e Limpeza

Desligue sempre o aparelho da corrente antes de a limpar.

Limpe a estrutura do aparelho com um pano suave e seco.

Puxe o depósito para fora após cada utilização para limpar a humidade. Para retirar o depósito, segure-o com dois dedos e puxe para baixo em relação à cabeça de vácuo. Lave em água morna e sabão e deixe secar bem ao ar.

O vedante no depósito também pode ser retirado para limpar. Lave em água morna e sabão e deixe secar bem ao ar antes de voltar a colocar.

Certifique-se de que a abertura de vácuo está livre de restos de alimentos. Seque com um pano macio seco.

Armazenamento

Certifique-se de que o aparelho está limpo e guarde-o virado para cima sobre uma superfície plana e nivelada, longe da extremidade e onde não possa ser facilmente derrubado.

Garantia

Guarde este recibo, uma vez que ele será necessário caso hajam queixas durante o período de garantia.

Este equipamento tem garantia de 2 anos após a compra, tal como descrito neste documento.

Durante este período de garantia, no evento improvável do aparelho deixar de funcionar devido a um problema de design ou fabrico, devolva o produto ao local de compra, com o seu recibo de compra e uma cópia desta garantia.

Os direitos e benefícios ao abrigo desta garantia são adicionais aos seus direitos estatutários, os quais não são afetados por esta garantia. Apenas a Jarden Consumer Solutions (Europe) Limited ("JCS (Europe)") tem o direito de alterar estes termos.

A JCS (Europe) aceita, durante o período de garantia, reparar ou substituir o equipamento, ou qualquer parte do equipamento, que não esteja a funcionar adequadamente, livre de qualquer custo, desde que:

- notifique imediatamente o local de compra ou a JCS (Europe) do problema; e
- o equipamento não tenha sido alterado de qualquer forma, ou sujeito a danos, má utilização, abuso, reparação ou alteração por uma pessoa não autorizada pela JCS (Europe).

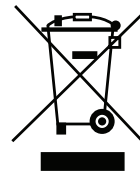
Os problemas que ocorram devido a má utilização, danos, abuso, utilização com voltagem incorreta, forças da natureza, eventos fora do controlo da JCS (Europe), reparação ou alteração por uma pessoa não autorizada pela JCS (Europe), ou falha de seguimento das instruções de utilização, não são abrangidos por esta garantia. Adicionalmente, a utilização e desgaste normal, incluindo, mas não se limitando a, descoloração mínima e riscos, não são abrangidos por esta garantia.

Os direitos ao abrigo desta garantia apenas se aplicam ao comprador original e não se estendem à utilização comercial ou comum.

Se o seu equipamento incluir uma garantia específica de país ou inserção de garantia, consulte os termos e condições de tal garantia em vez desta garantia, ou contacte o seu vendedor local autorizado para obter mais informação.

A eliminação de produtos elétricos não deve ser feita juntamente com o lixo doméstico. Recicle nas instalações corretas. Envie-nos um email para enquiriesEurope@jardencs.com para mais informação sobre reciclagem e REEE.

Jarden Consumer Solutions (Europe) Limited
Edif. Vázquez Krasnow
C/ Camino de la Zarzuela, 21
1º - Oficina 1B
28023 – Aravaca
Madrid, España
Tel: +34 90 2051506



Precauzioni Importanti

Questa apparecchiatura può essere utilizzata da bambini di almeno 8 anni di età e da persone con ridotte capacità fisiche, sensoriali o mentali oppure con mancanza di esperienza e conoscenza, a condizione che siano supervisionate o siano state istruite relativamente all'utilizzo sicuro dell'apparecchiatura e comprendano i rischi che possono derivare da tale utilizzo. Non lasciare giocare i bambini con l'apparecchiatura. Le operazioni di pulizia e manutenzione non devono essere eseguite da bambini senza supervisione.

Al fine di evitare rischi, qualora il cavo di alimentazione fosse danneggiato, deve essere riparato dalla casa produttrice, da un tecnico autorizzato o da una persona con simili qualifiche.

- Utilizzare sempre l'apparecchio su una superficie stabile, sicura, asciutta e piana.
- **ATTENZIONE: IL PRESENTE APPARECCHIO NON È DESTINATO ALL'USO COMMERCIALE.** Non immergere alcun componente dell'apparecchiatura, il cavo di alimentazione o la spina in acqua o in altri liquidi.
- Non immergere mai l'apparecchio o il cavo di alimentazione e la spina in acqua o in altri liquidi.
- Non utilizzare l'apparecchio nel caso in cui sia stato fatto cadere o presenti segni visibili di danneggiamento.
- Verificare che l'apparecchio sia spento e scollegato dalla presa di alimentazione dopo l'uso e prima della pulizia.
- Per scollegare l'apparecchio, staccare il cavo di alimentazione dalla presa elettrica. Non tirare il cavo per scollegarlo.
- Non utilizzare prolunghe con l'apparecchio.
- Utilizzare esclusivamente accessori o connettori consigliati dalla casa produttrice.

CONSERVARE QUESTE ISTRUZIONI

Il sistema FoodSaver™

Perché confezionare sottovuoto?

L'esposizione all'aria disperde il contenuto nutritivo e il sapore degli alimenti e stimola la crescita di batteri e di muffa. Il sistema di confezionamento sottovuoto FoodSaver™ elimina l'aria e preserva i sapori e la qualità degli alimenti. Oggi è possibile usufruire dei vantaggi offerti da un metodo di conservazione degli alimenti dimostrato scientificamente che mantiene la freschezza dei cibi fino a cinque volte più a lungo.

Il sistema FoodSaver™ fa risparmiare tempo e denaro

- **Spendete di meno.** Con il sistema FoodSaver™ potrete acquistare prodotti all'ingrosso o in offerta e confezionarli sottovuoto nelle porzioni desiderate, senza sprechi.
- **Risparmiate tempo.** Preparate i vostri piatti per tutta la settimana e conservateli nelle buste FoodSaver™.
- **Marinate in pochi minuti.** Il confezionamento sottovuoto apre i pori degli alimenti per velocizzare la marinatura - bastano 20 minuti!
- **Godetevi le feste.** Preparate i vostri piatti speciali in anticipo, per trascorrere il tempo con gli invitati e non in cucina.
- **Cibi fuori stagione sempre a disposizione.** Mantenete freschi a lungo i prodotti deteriorabili, per assaporarli anche fuori stagione.
- **Controllate le porzioni per la dieta.** Il confezionamento sottovuoto è ideale per suddividere le porzioni e annotare calorie e/o contenuto di grassi su ogni busta.
- **Proteggete anche prodotti non alimentari.** Organizzate nelle buste vari articoli per il tempo libero, proteggete l'argento dall'ossidazione riducendone l'esposizione all'aria.

Accessori FoodSaver™

Ottenete il massimo dal vostro apparecchio FoodSaver™ con i contenitori e sacchetti FoodSaver™ facili da usare.

Sacchetti con chiusura a cerniera salvafreschezza FoodSaver™

I sacchetti con chiusura a cerniera FoodSaver™ presentano canali speciali che consentono di rimuovere efficacemente l'aria. La struttura multistrato li rende una barriera particolarmente efficace nei confronti di ossigeno e condensa.

Contenitori salvafreschezza FoodSaver™

I contenitori salvafreschezza FoodSaver™ sono semplici da usare e ideali per imballare sottovuoto alimenti deperibili come muffin e altri prodotti da forno, liquidi e ingredienti secchi.

Ordinazioni

Per ordinare sacchetti, rotoli e accessori FoodSaver™, visitare il sito www.foodsavereurope.com e selezionare la regione di residenza.

Componenti

Vedere la Fig. 1:

- | | |
|------------------------------------|-------------------------------|
| A Pulsante Avvio | E Base |
| B Spia di pronto | F Attacco per il vuoto |
| C Pulsante di rilascio (x2) | G Serbatoio |
| D Piattaforma | H Presa a vuoto |

Utilizzo del sistema di conservazione degli alimenti salvafreschezza

Sigillatura sottovuoto con i contenitori salvafreschezza FoodSaver™

Vedere la Fig. 2:

1. Collocare l'alimento da sigillare sottovuoto nel contenitore. Inserire il coperchio nella base del contenitore. Premere bene su tutti gli angoli per assicurare la tenuta ermetica del coperchio.
2. Collocare il contenitore sulla base utilizzando la piattaforma come guida.
3. Premere entrambi i pulsanti di rilascio sulla presa a vuoto per regolarne l'altezza. Guidare la presa a vuoto sulla valvola del contenitore fino a quando scatta in posizione. La spia di pronto verde si accende.
Nota: la spia verde si accende solo in caso di contatto sicuro fra la presa a vuoto e la valvola del contenitore.
4. Premere il pulsante Avvio per dare inizio al procedimento di sigillatura sottovuoto. L'indicatore di sottovuoto sul contenitore si abbassa verso l'interno all'inizio del procedimento di sigillatura sottovuoto. Non arrestare il procedimento. Quando il contenitore è perfettamente sigillato sottovuoto, l'apparecchio si arresta automaticamente.
5. Premere entrambi i pulsanti di rilascio sulla presa a vuoto per sollevarla, quindi rimuovere il contenitore sigillato.

È possibile marinare rapidamente i cibi utilizzando i contenitori salvafreschezza FoodSaver™. Collocare il cibo nel contenitore, coprire completamente con la marinata preferita, quindi premere con forza il coperchio per sigillare.

Seguire quindi i passaggi 2–5 della sezione *Sigillatura sottovuoto con i contenitori salvafreschezza FoodSaver™*. Lasciare il cibo sigillato sottovuoto per 20 minuti per assicurarsi che la marinata penetri nell'alimento.

Sigillatura sottovuoto con i sacchetti con chiusura a cerniera salvafreschezza FoodSaver™

I sacchetti con chiusura a cerniera salvafreschezza FoodSaver™ devono essere utilizzati esclusivamente per tenere in fresco (nel frigorifero o nella dispensa) e non per la conservazione in freezer. Non utilizzare per sigillare sottovuoto liquidi.

In caso di sigillatura sottovuoto di alimenti umidi, verificare che il liquido non raggiunga la valvola del sacchetto con chiusura a cerniera e controllare e pulire il serbatoio dell'apparecchio qualora necessario.

Vedere la Fig. 3:

1. Inserire l'alimento da sigillare sottovuoto nel sacchetto. Collocare il sacchetto sulla base utilizzando la piattaforma come guida e allineare la valvola del sacchetto.
2. Premere entrambi i pulsanti di rilascio sulla presa a vuoto per regolarne l'altezza. Guidare la presa a vuoto sulla valvola del sacchetto fino a quando scatta in posizione. La spia di pronto verde si accende.
Nota: la spia verde si accende solo in caso di contatto sicuro fra la presa a vuoto e la valvola del sacchetto.
3. Premere il pulsante Avvio per dare inizio al procedimento di sigillatura sottovuoto. Quando il sacchetto è perfettamente sigillato sottovuoto, l'apparecchio si arresta automaticamente.
4. Premere entrambi i pulsanti di rilascio sulla presa a vuoto per sollevarla, quindi rimuovere il sacchetto sigillato.

Suggerimenti per i sacchetti con chiusura a cerniera salvafreschezza FoodSaver™

- Evitare di riempire in modo eccessivo; lasciare dello spazio fra il contenuto del sacchetto e la chiusura a cerniera. In questo modo si consente al materiale del sacchetto di sigillarsi sull'alimento.
- Assicurarsi di far scorrere le dita sulla chiusura a cerniera per chiudere il sacchetto prima di collocarlo sull'apparecchio.
- In caso di imballaggio sottovuoto di oggetti con bordi acuminati (spaghetti, argenteria ecc.), proteggere il sacchetto da eventuali perforazioni avvolgendo gli oggetti con materiale morbido come carta da cucina.

Guida alla conservazione, suggerimenti e consigli

Confezionamento sottovuoto e sicurezza degli alimenti

Il confezionamento sottovuoto prolunga la vita degli alimenti, poiché elimina la maggior parte dell'aria dal contenitore ermetico e riduce l'ossidazione che incide sul valore nutritivo, sul sapore e sulla qualità generale dei cibi. L'eliminazione dell'aria inibisce inoltre il proliferare di microrganismi che possono causare problemi in specifiche circostanze.

Per la conservazione sicura degli alimenti, è importante mantenerli a bassa temperatura. La crescita batterica si riduce considerevolmente a temperature di 4°C e inferiori.

Il congelamento a -17°C non neutralizza i microrganismi ma ne arresta la crescita. Per la conservazione nel lungo periodo, surgelare sempre i cibi deteriorabili che sono stati confezionati sottovuoto, e tenerli in frigorifero dopo averli scongelati. I sacchetti con chiusura a cerniera salvafreschezza FoodSaver™ devono essere utilizzati esclusivamente per tenere in fresco (nel frigorifero o nella dispensa) e non per la conservazione in freezer.

È importante osservare che il confezionamento sottovuoto NON è un'alternativa all'inscatolamento e non inverte il deterioramento dei prodotti alimentari, ma può solo rallentare la perdita di qualità. È difficile prevedere la durata dei cibi al livello di qualità massima, ciò dipende dall'età e dalle condizioni di ogni prodotto quando viene sigillato sottovuoto.

IMPORTANTE: Il confezionamento sottovuoto NON è un'alternativa alla refrigerazione o al congelamento. Qualsiasi prodotto alimentare deteriorabile da tenere in frigorifero deve essere refrigerato o surgelato dopo il confezionamento sottovuoto. Per evitare possibili malanni, non riusare i sacchetti dopo aver conservato carne o pesce crudi o alimenti grassi.

Scongelare e riscaldare alimenti imballati sottovuoto



Scongelare sempre gli alimenti in frigorifero o in un forno a micro-onde; non scongelare cibi deperibili a temperatura ambiente.

Per riscaldare gli alimenti nel micro-onde in un contenitore salvafreschezza FoodSaver™, rilasciare la valvola per vuoto e tenere sopra il coperchio.

IMPORTANTE: non utilizzare mai i sacchetti con chiusura a cerniera salvafreschezza FoodSaver™ nel forno a microonde o per scongelare gli alimenti.

Linee guida per la preparazione

Carne



A causa dell'eliminazione dell'ossigeno, dopo la sigillatura sottovuoto il manzo potrebbe assumere un colore più scuro. Questo fenomeno non è un'indicazione di deperimento.

Formaggi duri



Per preservare la freschezza del formaggio, sigillarlo sottovuoto dopo ciascun utilizzo. Quando si è pronti per risigillare il formaggio, rimetterlo nel contenitore salvafreschezza o nel sacchetto con chiusura a cerniera salvafreschezza FoodSaver™ e creare nuovamente il sottovuoto.

IMPORTANTE: a causa del rischio di batteri anaerobici, i formaggi molli non devono mai essere sigillati sottovuoto.

Verdure



Le verdure devono essere scottate prima della sigillatura sottovuoto. Questo procedimento blocca l'azione degli enzimi che potrebbe portare a perdita di sapore, colore e consistenza.

Per scottare le verdure, metterle nell'acqua bollente o nel micro-onde fino a quando sono cotte ma ancora croccanti. I tempi di scottatura vanno da 1 a 2 minuti per le verdure a foglia verde e i piselli; da 3 a 4 minuti per i piselli dolci, le zucchine affettate o i broccoli; 5 minuti per le carote e da 7 a 11 minuti per le pannocchie di granturco.

Dopo la scottatura, immergere le verdure in acqua fredda per arrestare la cottura. Da ultimo, asciugare la verdura con uno strofinaccio prima di sigillare sottovuoto.

Nota: alcuni alimenti (come broccoli, cavolini di Bruxelles, cavolo, cavolfiore, cavolo nero, rape e banane) rilasciano naturalmente dei gas durante la conservazione. Pertanto, dopo la scottatura, devono essere conservati esclusivamente nel freezer.

Quando si congelano le verdure, è meglio precongelarle prima per 1-2 ore o fino a quando sono ben solide. Per congelare le verdure in singole porzioni, mettere prima in una teglia da forno e distribuirle in modo che non si tocchino fra loro. In questo modo si evita che si congelino tutte insieme in un unico blocco. Una volta congelate, togliere le verdure dalla teglia da forno e sigillarle sottovuoto in un contenitore salvafreschezza FoodSaver™. Dopo la sigillatura sottovuoto, rimettere le verdure nel freezer.

IMPORTANTE: a causa del rischio di batteri anaerobici, funghi freschi, cipolle e aglio non devono mai essere sigillati sottovuoto.

Verdure a foglia



Per prima cosa lavare le verdure, quindi asciugare con uno strofinaccio o una centrifuga per insalata. Quando le verdure sono asciutte, metterle in un contenitore salvafreschezza FoodSaver™ e sigillare a vuoto come di consueto. Conservare in frigorifero.

Frutta



È possibile sigillare sottovuoto porzioni da cuocere in forno, oppure unire nelle combinazioni preferite per preparare facilmente macedonie tutto l'anno. Per conservare in frigorifero, si consiglia di utilizzare un contenitore salvafreschezza FoodSaver™.

Prodotti da forno



Per sigillare sottovuoto prodotti da forno morbidi o con una consistenza ariosa, si consiglia di utilizzare un contenitore salvafreschezza FoodSaver™ in modo tale che mantengano la forma. Per risparmiare tempo, preparare l'impasto per biscotti, i gusci per torte, le torte intere o miscelare gli ingredienti secchi in anticipo e sigillare sottovuoto per riutilizzare in seguito.

Caffè e alimenti in polvere



Per evitare che particelle di cibo vengano risucchiate nella pompa a vuoto, collocare un filtro per il caffè o un pezzo di carta assorbente in cima al sacchetto, o al contenitore, prima dell'imballaggio sottovuoto. È anche possibile mettere l'alimento nel sacchetto originale all'interno di un sacchetto con chiusura a cerniera salvafreschezza FoodSaver™ oppure utilizzare un contenitore salvafreschezza FoodSaver™ per sigillare sottovuoto.

Liquidi



Attendere che i liquidi caldi si raffreddino fino a raggiungere la temperatura ambiente prima di sigillare sottovuoto in un contenitore salvafreschezza FoodSaver™. La sigillatura sottovuoto di liquidi caldi può provocare una perdita di sottovuoto.

Risoluzione dei problemi

Problema	Soluzione
L'apparecchio non toglie l'aria dal sacchetto con chiusura a cerniera salvafreschezza FoodSaver™.	<ul style="list-style-type: none">• Verificare che il sacchetto sia ben chiuso.• La valvola dell'aria non è su una superficie piana. Riposizionare il sacchetto in modo che la valvola dell'aria sia appoggiata orizzontalmente sulla piattaforma dell'apparecchio senza alimenti sottostanti.
L'ugello di aspirazione e la valvola dell'aria non fanno contatto.	<ul style="list-style-type: none">• Verificare che l'ugello di aspirazione sia centrato rispetto al cerchio grigio e collocato in orizzontale sulla valvola dell'aria. Applicare una moderata pressione.
L'aria è stata rimossa dal sacchetto ma ora è rientrata all'interno.	<ul style="list-style-type: none">• Esaminare la chiusura a cerniera del sacchetto e la valvola. Eventuali residui di cibo nella chiusura a cerniera o nella valvola possono provocare perdite e consentire l'ingresso dell'aria.• Talvolta la condensa o residui di cibo lungo i bordi ermetici della chiusura a cerniera o sotto la valvola impediscono una corretta sigillatura del sacchetto. Pulire l'interno del sacchetto intorno alla chiusura a cerniera e sotto la valvola, quindi provare a sigillare di nuovo.• Se si stanno imballando sottovuoto alimenti appuntiti, il sacchetto potrebbe essersi perforato. In presenza di fori, utilizzare un nuovo sacchetto. Coprire gli alimenti acuminati con un materiale morbido, come della carta da cucina, e sigillare di nuovo.
Il contenitore salvafreschezza FoodSaver™ non si sigilla sottovuoto.	<ul style="list-style-type: none">• Assicurarsi che la guarnizione di gomma all'interno del coperchio non sia ostruita da residui di cibo e sia ben fissata in posizione.• Esaminare il bordo del contenitore per escludere la presenza di rotture o graffi. Eventuali spazi vuoti possono impedire la corretta sigillatura sottovuoto dei contenitori. Assicurarsi che la valvola per vuoto del contenitore sia pulita.• Assicurarsi che il coperchio del contenitore sia ben chiuso su tutti e 4 i lati; rimuovere il coperchio e premere di nuovo.
La spia LED sull'apparecchio lampeggia in rosso.	<ul style="list-style-type: none">• Ciò indica che l'apparecchio non ha sigillato perfettamente il contenitore o il sacchetto. Sollevare la presa a vuoto e assicurarsi che il contenitore o il sacchetto siano chiusi correttamente.• Verificare che il serbatoio dei liquidi sia pulito e inserito correttamente, in modo tale che non vi siano perdite d'aria.• Spostare verso il basso la presa a vuoto, quindi premerla fermamente sul contenitore o sulla valvola del sacchetto e premere il pulsante Avvio. Il procedimento di sottovuoto non dovrebbe richiedere più di 1 minuto.
La spia LED sull'apparecchio lampeggia in verde.	<ul style="list-style-type: none">• Ciò indica che il contenitore o la valvola del sacchetto non sono fissati correttamente alla presa a vuoto. Spostare verso il basso la presa a vuoto, quindi premerla fermamente sul contenitore o sulla valvola del sacchetto e premere il pulsante Avvio.

Manutenzione e pulizia

Scollegare sempre l'apparecchio dall'alimentazione prima della pulizia.

Pulire il corpo dell'apparecchio con un panno morbido e asciutto.

Far scorrere il serbatoio verso l'esterno dopo ciascun utilizzo per rimuovere la condensa. Per rimuovere il serbatoio, tenerlo con due dita ed estrarlo dalla presa a vuoto tirandolo verso il basso. Lavare in acqua saponata tiepida e far asciugare completamente all'aria.

Anche la guarnizione situata sul serbatoio può essere rimossa per la pulizia. Lavare in acqua saponata tiepida e far asciugare completamente prima di reinserire.

Controllare che l'attacco a vuoto sia privo di residui di cibo. Pulire con un panno morbido asciutto.

Conservazione

Verificare che l'apparecchio sia pulito e conservarlo in posizione verticale su una superficie piana, a livello, lontano dal bordo e dove non possa essere fatto cadere facilmente.

Garanzia

Conservare lo scontrino d'acquisto poiché esso sarà necessario per qualsiasi reclamo esposto in base alle condizioni di questo certificato di garanzia.

Questo prodotto è garantito per 2 anni dall'acquisto, secondo le modalità descritte nel presente documento.

Durante il decorso della garanzia, nell'improbabile eventualità che l'apparecchiatura si guasti a causa di un problema tecnico o di fabbricazione, riportarla al punto d'acquisto insieme allo scontrino fiscale e ad una copia di questo certificato di garanzia.

I diritti spettanti all'acquirente in base alle condizioni di questo certificato di garanzia sono in aggiunta a quelli previsti dalla legge che non risultano alterati dalle condizioni di questo certificato. Solo Jarden Consumer Solutions (Europe) Ltd. ("JCS (Europe)") ha l'autorità di modificare queste condizioni.

JCS (Europe) si impegna a riparare o a sostituire gratuitamente nell'arco del periodo di garanzia qualsiasi parte dell'apparecchiatura dovesse risultare difettosa, a condizione che:

- Si segnali tempestivamente il problema al punto d'acquisto o a JCS (Europe); e
- l'apparecchiatura non sia stata modificata in alcun modo né soggetta a danni, uso improprio o abuso, a riparazione o alterazione per opera di un tecnico non autorizzato da JCS (Europe).

I guasti intervenuti durante l'uso normale, per uso improprio, danno, abuso, tensione incorretta, cause naturali, eventi non determinati da JCS (Europe), riparazione o alterazione per opera di un tecnico non autorizzato da JCS (Europe) o la mancata ottemperanza alle istruzioni d'uso sono esclusi dalla presente garanzia. Inoltre, l'uso normale compreso, a titolo di esempio, una lieve alterazione del colore (sbiadimento) e i graffi, non sono coperti dalla presente garanzia.

I diritti spettante all'utente ai sensi della presente garanzia si applicano unicamente all'acquirente originale e non si estendono all'uso commerciale o comunitario.

Se l'apparecchiatura è fornita con un accordo specifico per il paese o una cartolina di garanzia, consultare le condizioni di tale accordo, che prevalgono su quelle esposte in questa sede oppure rivolgersi a un rivenditore autorizzato per ulteriori informazioni.

I prodotti elettrici vanno smaltiti separatamente dai rifiuti domestici. Consegnarli ad un centro di riciclaggio, se disponibile. Scrivere a enquiriesEurope@jardencs.com per istruzioni sul riciclaggio e informazioni sulla direttiva RAEE.

Jarden Consumer Solutions (Europe) Limited
5400 Lakeside
Cheadle Royal Business Park
Cheadle
SK8 3GQ
United Kingdom



Dit apparaat kan worden gebruikt door kinderen van 8 jaar en ouder en personen met beperkt fysiek, zintuiglijk of mentaal vermogen, of een gebrek aan ervaring en kennis, indien zij voldoende begeleiding of instructies hebben ontvangen over het veilige gebruik van het apparaat en zij de eventuele gevaren ervan begrijpen. Laat kinderen niet met dit apparaat spelen. Reiniging of onderhoud door kinderen mag uitsluitend onder begeleiding worden uitgevoerd.

Indien het stroomsnoer is beschadigd, dient dit door de fabrikant, zijn onderhoudsbedrijf of gelijksoortige erkende personen te worden vervangen om gevaren te voorkomen.

- Altijd zorgen dat het apparaat op een stabiel, stevig, droog en plat oppervlak staat.
- **VOORZICHTIG: DIT APPARAAT IS NIET GESCHIKT VOOR COMMERCIEEL GEBRUIK.** Dit apparaat niet gebruiken voor een ander doel dan het bestemde doel. Dit apparaat is uitsluitend voor huishoudelijk gebruik. Het is niet geschikt voor gebruik buiten.
- Geen enkel deel van het apparaat of het stroomsnoer onderdopen in water of een andere vloeistof.
- Het apparaat niet gebruiken als het is gevallen of zichtbare beschadiging vertoont.
- Na gebruik, alvorens het apparaat te reinigen, altijd controleren of het apparaat is uitgeschakeld en de stekker uit het stopcontact is verwijderd.
- Neem de stekker uit het stopcontact om het apparaat uit te schakelen. Trek niet aan het stroomsnoer om de stekker te verwijderen.
- Gebruik geen verlengsnoer met het apparaat.
- Gebruik uitsluitend accessoires of hulpstukken die door de fabrikant zijn aanbevolen.

BEWAAR DEZE VEILIGHEIDVOORSCHRIFTEN

Waarom vacumeren?

Voedingsmiddelen verliezen voedingswaarde en smaak zodra zij worden blootgesteld aan lucht. Daarnaast veroorzaakt het vriesbrand en geeft het bacteriën, schimmels en gist de kans te groeien. Het FoodSaver™ vacumeersysteem onttrekt lucht en zorgt ervoor dat smaak en kwaliteit behouden blijft. Geniet nu van de voordelen van een wetenschappelijk bewaarsysteem dat uw voedsel tot vijf keer langer vers houdt.

Het FoodSaver™ systeem bespaart tijd en geld.

- **Bespaar geld.** Met het FoodSaver™ systeem, is het mogelijk grotere hoeveelheden voedingsmiddelen in te kopen en dit in kleine porties te vacumeren zodat niets verspild wordt.
- **Bespaar tijd.** Kook vooruit voor een week, bereid maaltijden voor en bewaar deze in de FoodSaver™ zakken.
- **Marineer razendsnel.** Vacumeren opent de poriën van voedsel, waardoor het binnen 20 minuten (in plaats van een hele nacht) die heerlijke gemarineerde smaak krijgt.
- **Maak gezelligheid makkelijk.** Bereid een karakteristieke maaltijd en feestelijke hapjes vooraf zodat er tijd en aandacht is voor de gasten.
- **Geniet van seizoensvoedsel of specialiteiten.** Zeer beperkt houdbare of weinig gebruikte producten worden langer vers gehouden.
- **Afgemeten porties voor diëten.** Vacumeer afgemeten porties en noteer op de zak het aantal calorieën en/ of het vetgehalte.
- **Bescherm artikelen.** Houd kampeer- en bootbenodigdheden droog en georganiseerd voor uitstapjes. Bescherm gepolijst zilver tegen aantasting en dof worden door het zo min mogelijk bloot te stellen aan lucht.

FoodSaver™ accessoires

Haal het maximale uit uw FoodSaver™-apparaat met de handige FoodSaver™-vershouddozen en -zakken.

FoodSaver™-vershoudzakken met zipper

FoodSaver™-vershoudzakken met zipper hebben speciale kanalen waardoor de lucht efficiënt kan worden afgezogen. Ze bestaan uit meerdere lagen, zodat de zak uitstekende bescherming biedt tegen zuurstof en vocht.

FoodSaver™-vershouddozen

De FoodSaver™-vershouddozen zijn makkelijk in gebruik en zijn perfect om broze producten zoals muffins en anders bakproducten, vloeistoffen en droge voedingswaren vacuüm te verpakken.

Bestellen

Voor het bestellen van zakken, rollen en accessoires voor uw FoodSaver™ gaat u naar www.foodsavereurope.com en kiest u uw land.

Onderdelen

Zie figuur 1:

- | | |
|--------------------------------|-------------------------------|
| A Startknop | E Voetstuk |
| B Gereed-lampje | F Vacumeeraan sluiting |
| C Ontgrendelknoppen (2) | G Reservoir |
| D Platform | H Vacumeerkop |

Uw vershoudsysteem gebruiken

Vacuüm sealen met FoodSaver™-vershouddozen

Zie figuur 2:

1. Leg het voedsel dat vacuüm geseald moet worden in de vershouddoos. Breng het deksel op de bewaardoos aan. Duw stevig op alle hoeken om te zorgen dat het deksel goed dicht zit.
2. Zet de vershouddoos op het voetstuk; het platform geeft aan hoe de doos moet worden geplaatst.
3. Druk beide ontgrendelknoppen in op de vacumeerkop om de hoogte in te stellen. Duw de vacumeerkop op het ventiel op de bewaardoos tot de kop in positie klikt. Het groene gereed-lampje gaat branden.
Opmerking: Het groene lampje gaat alleen branden als de vacumeerkop goed is aangesloten op het ventiel van de bewaardoos.
4. Druk op de startknop om het vacumeerproces te starten. In het begin van dit proces zal de vacuüindicator op de vershouddoos een kuiltje vormen. Stop het proces niet.
Wanneer alle lucht uit de vershouddoos is verwijderd, stopt het apparaat automatisch.
5. Druk beide ontgrendelknoppen op de vacumeerkop in om de kop omhoog te zetten en verwijder de gesealde vershouddoos.

U kunt de FoodSaver™-vershouddozen gebruiken om snel voedsel te marineren. Doe de ingrediënten in de doos, voeg uw favoriete marinade toe tot de ingrediënten helemaal bedekt zijn en duw het deksel goed dicht.

Voer dan stap 2 t/m 5 van *Vacuüm sealen met FoodSaver™-vershouddozen* uit. Laat het voedsel 20 minuten vacuüm geseald staan, zodat de marinade goed kan intrekken.

Vacuüm sealen met FoodSaver™-vershoudzakken met zipper

Gebruik de FoodSaver™-vershoudzakken met zipper alleen om voedsel te bewaren in de koelkast of voorraadkast, niet in de vriezer. Gebruik de zakken niet om vloeistof vacuüm te verpakken.

Wanneer u vochtige etenswaren vacuüm verpakt, zorg er dan voor dat het ventiel van de zak droog blijft en reinig het reservoir van het apparaat wanneer nodig.

Zie figuur 3:

1. Doe het voedsel dat vacuüm geseald moet worden in de zak. Leg de zak op het voetstuk; het platform geeft aan hoe de zak moet worden neergelegd. Zorg dat het ventiel in de juiste positie ligt.
2. Druk beide ontgrendelknoppen in op de vacumeerkop om de hoogte in te stellen. Duw de vacumeerkop op het ventiel op de zak tot de kop in positie klikt. Het groene gereed-lampje gaat branden.
Opmerking: Het groene lampje gaat alleen branden als de vacumeerkop goed is aangesloten op het ventiel van de zak.
3. Druk op de startknop om het vacumeerproces te starten. Wanneer de zak helemaal luchtdicht is geseald, stopt het apparaat automatisch.
4. Druk beide ontgrendelknoppen op de vacumeerkop in om de kop omhoog te zetten en verwijder de gesealde zak.

Tips voor de FoodSaver™-vershoudzakken met zipper

- Maak de zak niet te vol; er moet altijd voldoende lege ruimte zijn tussen de inhoud in de zak en de zipper. Zo kan de zak goed om het voedsel in de zak worden geseald.
- Zorg dat u de zipper altijd goed met uw vingers dicht schuift voordat u de zak op het apparaat legt.
- Als u voedsel of voorwerpen met scherpe randen sealt (zoals droge spaghetti, tafelzilver enz.), bescherm de zak dan tegen beschadiging door de inhoud in beschermend materiaal (bijv. papier van een keukenrol) te wikkelen.

Opbergen, hints en tips

Vacumeren en voedsel veiligheid

Het vacumeersproces verlengt het leven van voedsel door middel van onttrekking van de meeste lucht uit de gesealde verpakking. Daardoor wordt de hoeveelheid zuurstof teruggebracht. Die zuurstof heeft invloed op de voedingswaarde, de smaak en de algehele kwaliteit. Het onttrekken van lucht vertraagd ook de groei van micro-organismen, welke bederf veroorzaken.

Om voedingsmiddelen veilig te bewaren, is het van doorslaggevend belang dat de temperaturen laag gehouden worden. De groei van micro-organismen is aanmerkelijk te vertragen met temperaturen van 4°C of minder.

Vriezen op -17°C doodt de micro-organismen niet maar stopt de groei ervan. Voor het bewaren op lange termijn van beperkt houdbare producten, deze altijd na vacumeren invriezen, en na ontdooien bewaren in de koelkast. Gebruik de FoodSaver™-vershoudzakken met zipper alleen om voedsel te bewaren in de koelkast of voorraadkast, niet in de vriezer.

Belangrijk om te vermelden is dat vacumeren GEEN vervanging is van inmaken en het kan voedselbederf niet meer ongedaan maken. Het kan slechts veranderingen van kwaliteit vertragen. Het is moeilijk te voorspellen hoe lang voedingsmiddelen hun topkwaliteit smaak, uiterlijk en structuur behouden, daar dit afhankelijk is van leeftijd en de conditie van het voedsel op het moment dat het gevacumeerd wordt.

BELANGRIJK: Vacumeren is GEEN vervanging van koelen of vriezen. Alle beperkt houdbare voedingsmiddelen dienen na het vacumeren, bewaard te worden in koelkast of diepvries. Gebruik geen zakken opnieuw na het bewaren van rauw vlees, rauwe vis of vette voeding om ziekte te voorkomen.

Vacuüm verpakte voedingswaren ontdooien en opnieuw opwarmen



Ontdooi voedingswaren altijd in een koelkast of magnetron en ontdooi bederfelijke etenswaren nooit op kamertemperatuur.

Als u voedsel wilt opwarmen in een FoodSaver™-vershouddoos, zet u het ventiel open maar houdt u het deksel gesloten.

BELANGRIJK: FoodSaver™ Fresh Zipper Bags mogen nooit gebruikt worden in de magnetron of oven voor het ontdooien/opwarmen van voedsel.

Richtlijnen voor gebruik

Vlees



Door het verwijderen van zuurstof kan rundvlees donkerder van kleur worden nadat dit vacuüm is verpakt. Dit is normaal en betekent niet dat het vlees is bedorven.

Harde kaas



Houd kaas vers door deze na ieder gebruik opnieuw vacuüm te verpakken. Leg de kaas na gebruik weer in de FoodSaver™-vershouddoos of -zak met zipper en verpak de doos of zak weer luchtdicht.

BELANGRIJK: Door het risico voor anaerobe bacteriën mogen zachte kazen nooit vacuüm worden verpakt.

Groenten



Groenten moeten worden geblancheerd (ofwel voorgekookt) voordat ze vacuüm worden verpakt. Zo worden ongewenste enzymen verwijderd die tot verlies van smaak, kleur en textuur kunnen leiden.

Verse groenten worden geblancheerd door ze korte tijd in kokend water of in de magnetron te koken totdat ze gaar maar nog knapperig zijn. Kooktijden voor blancheren variëren van 1 tot 2 minuten voor bladgroenten en dopervrten, 3 tot 4 minuten voor peultjes, gesneden courgettes of broccoli, 5 minuten voor worteltjes en 7 tot 11 minuten voor maiskolven.

Dompel de groenten na het blancheren onder in koud water om het gaarproces te onderbreken. Droog de groenten tenslotte voordat ze vacuüm worden verpakt.

Opmerking: Sommige voedingswaren (zoals broccoli, spruitjes, kool, bloemkool, boerenkool, knolraap en banaan) geven gassen af wanneer ze worden bewaard. Deze kunnen daarom na het blancheren alleen in de vriezer worden bewaard.

Bij het invriezen van groenten is het het beste om ze eerst 1-2 uur (of totdat ze diepgevroren zijn) voor te vriezen. Als u individuele porties groenten wilt invriezen, verspreid u de porties eerst op een vel bakpapier zodat ze elkaar niet raken. Zo voorkomt u dat ze samen als één blok worden ingevroren. Wanneer ze eenmaal zijn ingevroren, kunt u ze van het bakpapier verwijderen en de porties vacuüm verpakken in een FoodSaver™-vershouddoos. Zet de vacuüm verpakte vershouddoos dan weer in de vriezer.

BELANGRIJK: Door het risico voor anaerobe bacteriën mogen champignons, uien en knoflook nooit vacuüm worden verpakt.

Bladgroenten



Was de groente eerst en droog de bladeren vervolgens op papier van een keukenrol of in een slacentrifuge. Leg de droge bladeren vervolgens in een FoodSaver™-bewaardoos en verpak ze vacuüm op normale wijze. Bewaar de doos in de koelkast.

Fruit



Porties fruit kunnen vacuüm worden verpakt om later in warme recepten te verwerken, of u kunt uw favoriete vruchtcombinaties sealen zodat u het hele jaar lang van heerlijke vruchtensalades kunt genieten. Als het fruit in de koelkast wordt bewaard, raden we u aan om een FoodSaver™-vershouddoos te gebruiken.

Bakproducten



Gebruik een FoodSaver™-vershouddoos voor zachte of luchtige bakproducten, zodat ze niet worden geplet en de vorm behouden blijft wanneer ze vacuüm worden verpakt. Om tijd te besparen kunt u deeg voor koekjes of pasteitjes of zelfs gevulde pasteitjes maken, of droge ingrediënten mengen en vacuüm verpakken voor later gebruik.

Koffie en voedsel in poedervorm



Plaats een koffiefilter of stuk keukenrol op de zak of bus voordat het product vacuüm wordt verpakt, om te voorkomen dat kleine voedseldeeltjes in de vacuümpomp worden gezogen. U kunt de producten ook in hun originele verpakking in een FoodSaver™-vershoudzak met zipper of een FoodSaver™-vershouddoos doen en dan vacuüm verpakken.

Vloeistoffen



Laat warme vloeistoffen eerst afkoelen tot kamertemperatuur voordat u ze vacuüm verpakt in een FoodSaver™-vershouddoos. Wanneer u warme vloeistoffen vacuüm verpakt, kan er lucht binnendringen.

Problemen oplossen

Probleem	Oplossing
Het apparaat verwijdert geen lucht uit de FoodSaver™-vershoudzak met zipper.	<ul style="list-style-type: none">• Controleer of de zak goed is gesloten.• Het ventiel licht niet op een plat oppervlak. Leg de zak anders neer zodat het ventiel plat op het platform van het apparaat licht, zonder voedingswaren eronder.
De vacumeeraansluiting en het ventiel maken geen contact.	<ul style="list-style-type: none">• Controleer of de vacumeeraansluiting midden over de grijze cirkel en plat op het ventiel is geplaatst. Oefen iets druk uit.
De lucht was wel uit de zak gezogen, maar er is nu weer lucht in de zak.	<ul style="list-style-type: none">• Bekijk de zipper en het ventiel van de zak. Er kan voedsel tussen de zipper of in het ventiel zitten, waardoor de zak lekt.• Als er vocht of voedsel aanwezig is langs de sealrand van de zipper of onder het ventiel, kan de zak vaak niet goed worden geseald. Veeg de binnenkant van de zak, bij de zipper en onder het ventiel, schoon en probeer de zak dan nogmaals te vacuüm te verpakken.• De zak kan zijn beschadigd tijdens het sealen van voedingsmiddelen met scherpe hoeken of randen. Als er een gat in de zak zit, moet u een nieuwe zak gebruiken. Wikkel scherpe voedingswaren in zacht, beschermend materiaal, zoals papier van een keukenrol, en verpak de zak dan nogmaals vacuüm.
De FoodSaver™-vershouddoos kan niet vacuüm worden geseald.	<ul style="list-style-type: none">• Controleer of de rubber afdichting aan de binnenkant van het deksel schoon en vrij is van voedsel en of deze goed is aangebracht.• Controleer de rand van de doos op barsten of krassen. Als er ergens een opening zit, kan de doos niet goed luchtdicht worden gemaakt. Controleer of het ventiel van de doos schoon is.• Controleer of alle vier de hoeken van het deksel van de doos goed dicht zijn; verwijder het deksel en breng het opnieuw aan.
Led-lampje op het apparaat knippert rood.	<ul style="list-style-type: none">• Dit betekent dat het apparaat de doos of zak niet goed vacuüm heeft kunnen sealen. Zet de vacumeerkop omhoog en controleer of de doos of zak goed is gesloten.• Zorg dat het vloeistofreservoir leeg en schoon is en dat dit goed is aangebracht, zodat er geen luchttekken zijn.• Zet de vacumeerkop weer omlaag en duw deze stevig op het ventiel van de doos of zak. Druk de startknop in. Het vacumeerproces duurt niet langer dan 1 minuut.
Led-lampje op het apparaat knippert groen.	<ul style="list-style-type: none">• Dit betekent dat het ventiel op de doos of zak niet goed op de vacumeerkop is aangesloten. Zet de vacumeerkop weer omlaag en duw deze stevig op het ventiel van de doos of zak. Druk de startknop in.

Onderhoud en reiniging

Neem altijd de stekker uit het stopcontact voordat het apparaat wordt gereinigd.

Neem de behuizing van het apparaat af met een zachte, droge doek.

Verwijder na elk gebruik het reservoir uit het apparaat en reinig dit. Hiertoe houdt u het reservoir met twee vingers vast en trekt u het uit de vacumeerkop. Was het reservoir af in warm water met afwasmiddel en laat het goed luchtdrogen.

De afdichting op het reservoir kan ook worden verwijderd om te reinigen. Was de ring af in warm water met afwasmiddel en laat deze goed drogen alvorens u hem weer aanbrengt.

Controleer of de vacumeeraansluiting schoon en vrij is van voedselresten. Neem hem af met een zachte, droge doek.

Opbergen

Zorg dat het apparaat schoon is en zet het rechtop weg op een platte, vlakke ondergrond, uit de buurt van de rand van het werkblad op een plek waar het apparaat niet kan vallen.

Garantie

Bewaar uw reçu omdat u dit nodig hebt wanneer u een garantieclaim wilt indienen.

Het product wordt tot 2 jaar na de aanschafdatum gegarandeerd, zoals beschreven in dit document.

In het onwaarschijnlijke geval dat het apparaat tijdens de garantieperiode defect raakt door een ontwerp- of fabricagefout, brengt u het samen met uw reçu en een kopie van deze garantie terug naar de plaats van aanschaf.

Uw rechten en voordelen onder deze garantie staan los van uw wettelijke rechten, waarop deze garantie geen invloed heeft. Alleen Jarden Consumer Solutions (Europa) Limited ("JCS (Europe)") is gerechtigd deze voorwaarden te wijzigen.

JCS (Europe) verplicht zich ertoe binnen de garantieperiode het apparaat of ieder onderdeel van het apparaat dat niet juist werkt, gratis te repareren of vervangen op voorwaarde dat:

- U het probleem onmiddellijk meldt bij de plaats van aankoop of bij JCS (Europe), en dat
- het apparaat niet gewijzigd, beschadigd, onjuist gebruikt, misbruikt of gerepareerd is door een persoon die daartoe niet door JCS (Europe) is gemachtigd.

Defecten veroorzaakt door onjuist gebruik, beschadiging, misbruik, gebruik met een onjuiste netspanning, natuurrampen, gebeurtenissen waarop JCS (Europe) geen invloed heeft, reparatie of wijziging door een persoon die daartoe niet door JCS (Europe) is gemachtigd of het niet naleven van de handleiding, worden niet door deze garantie gedekt. Verder wordt gewone slijtage, met inbegrip van maar niet beperkt tot geringe verkleuring en krassen, niet door deze garantie gedekt.

De rechten onder deze garantie gelden alleen voor de oorspronkelijke aankoper en zijn niet van toepassing op commercieel of gemeenschappelijk gebruik.

Als u bij uw apparaat een landspecifieke garantie hebt ontvangen, raadpleegt u de bepalingen van die landspecifieke garantie in plaats van deze garantie of neemt u voor meer informatie contact op met uw plaatselijke gemachtigde dealer.

Elektrische afvalproducten mogen niet samen met huishoudelijk afval worden weggeworpen. Recycleer deze producten op de voorgeschreven wijze. Stuur ons een e-mail op enquiriesEurope@jardencs.com voor verdere informatie over recycling en de AEEArichtlijn.

Jarden Consumer Solutions (Europe) Limited
5400 Lakeside
Cheadle Royal Business Park
Cheadle
SK8 3GQ
United Kingdom



Denna apparat kan användas av barn från 8 års ålder och av personer med nedsatt fysisk, sensorisk eller mental kapacitet eller brist på erfarenhet och kunskap om de har fått handledning eller anvisningar om hur apparaten används på ett säkert sätt och förstår riskerna som är involverade. Barn får inte leka med denna apparat. Rengöring och användarunderhåll ska inte utföras av barn utan handledning.

Om nätsladden skadas måste den bytas ut av tillverkaren, dennes serviceombud eller en person med liknande kvalifikationer för att undvika risker.

- Använd alltid apparaten på ett stabilt, säkert, torrt och jämnt underlag.
- **VAR FÖRSIKTIG: DENNA APPARATEN ÄR EJ FÖR KOMMERSIELL ANVÄNDNING.** Använd aldrig denna apparat till någonting annat än det som den är avsedd för. Denna apparat är endast avsedd för hushållsanvändning. Apparaten får inte användas utomhus.
- Doppa aldrig någon del av apparaten eller nätsladden och kontakten i vatten eller någon annan vätska.
- Använd inte apparaten om den har blivit tappad eller om det finns synliga tecken på skador.
- Se till att apparaten är avstängd och att sladden är utdragen ur eluttaget efter användning och före rengöring.
- Dra ut elsladden ur vägguttaget för att koppla från apparaten. Dra inte i själva elsladden.
- Använd inte en skarvsladd med apparaten.
- Använd endast tillsatser eller tillbehör som har rekommenderats av tillverkaren.

SPARA DESSA ANVISNINGAR

För vakuumpförpackning?

Exponering till luften får livsmedel att förlora näring och smak samt orsakar frysskador och gör det möjligt för många bakterier, mögel och jäst att växa. FoodSaver™ vakuumpförpackningssystem avlägsnar luften och innesluter smak och kvalitet. Du kan nu dra nytta av en vetenskapligt beprövad matförvaringsmetod som håller maten färsk upp till fem gånger längre.

FoodSaver™ system spar tid och pengar

- **Spendera mindre pengar.** Med FoodSaver™ system, kan du bulkhandla eller köpa på rea och vakuumpförpacka dina livsmedel i önskade portionsstorlekar utan att kasta bort några livsmedel.
- **Spara mer tid.** Laga till veckans måltider och spar dem i FoodSaver™ påsar.
- **Marinera på några minuter.** Vakuumpförpackning öppnar porerna i livsmedel så du kan få en fantastisk marinerad smak på bara 20 minuter istället på över natten.
- **Gör det lätt att ha gäster.** Gör din signaturrätt och helgmaten i förväg så du kan tillbringa mer tid med dina gäster.
- **Njut av säsongsmat eller specialrätter.** Förvara ömtåliga varor eller varor som du använder sällan längre.
- **Kontrollera portioner vid bantning.** Vakuumpförpacka portioner av rätt storlek och skriv antal kalorier och/eller gram fett på påsen.
- **Skydda artiklar som inte är livsmedel.** Förvara camping- och båtutrustning torrt och organiserad för utflykter. Hindrar silver från att missfärgas genom att minimera exponering till luften.

FoodSaver™-tillbehör

Få ut mesta möjliga av din FoodSaver™ med lättanvända FoodSaver™ Fresh-burkar och -påsar.

FoodSaver™ Fresh-zippåsar

FoodSaver™-zippåsar har särskilda kanaler som effektivt avlägsnar luft. Konstruktionen med flera lager gör dem till ett särskilt effektivt skydd mot syre och fukt.

FoodSaver™ Fresh-burkar

FoodSaver™ Fresh-burkar är enkla att använda och idealiska för vakuumpförpackning av känsliga varor som muffins och andra bakverk, samt vätskor och torra varor.

Beställning

Om du vill beställa FoodSaver™-påsar, -rullar och -tillbehör går du till www.foodsavereurope.com och väljer din region.

Delar

Se fig. 1:

- | | |
|--------------------------------|--------------------------|
| A Startknapp | E Basplatta |
| B Klarlampa | F Vakuumport |
| C Utlösarknappar (2 st) | G Vätskebehållare |
| D Plattform | H Vakuumhuvud |

Använda förvaringssystemet för färsk mat

Vakuumförsegla med FoodSaver™ Fresh-burkar

Se fig. 2:

1. Placera föremålet som ska vakuumförseglas i burken. Sätt på locket på underdelen. Tryck ordentligt i alla hörn för att säkerställa att locket sitter tätt.
2. Placera burken på basen med plattformen som vägledning.
3. Tryck på båda frigöringsknapparna på vakuumhuvudet för att justera i höjden. För ner vakuumhuvudet mot burkens ventil tills det klickar. Den gröna lampan tänds. Obs! Den gröna lampan tänds endast om vakuumhuvudet har ordentlig kontakt med burkens ventil.
4. Tryck på Start-knappen för att starta vakuumförseglingen. Vakuumindikatorn på burken kommer att bukta inåt tidigt under vakuumförseglingen. Avbryt inte processen. Apparaten stannar automatiskt när burken är helt vakuumförseglad.
5. Tryck på båda frigöringsknapparna på vakuumhuvudet för att lyfta upp det och ta bort den förseglade burken.

Du kan marinera maten snabbt med en FoodSaver™ Fresh-burk. Lägg i maten i burken, täck med valfri marinad och tryck på locket ordentligt så att det blir tätt.

Följ sedan steg 2–5 under *Vakuumförsegla med FoodSaver™ Fresh-burkar*. Låt vakuumförseglingen vara kvar i 20 minuter för att vara säker på att marinaden tränger in i maten.

Vakuumförsegla med FoodSaver™ Fresh-zippåsar

FoodSaver™ Fresh-zippåsar bör endast användas vid förvaring i kylskåp eller skafferier och inte i frysen. Vakuumförsegla inte vätskor.

Om du vakuumförseglar mat med vätskor måste du se till att vätskan inte når upp till zippåsens ventil och rengöra apparatens Vätskebehållare vid behov.

Se fig. 3:

1. Placera föremålet som ska vakuumförseglas i påsen. Placera påsen på basen med plattformen som vägledning och justera placeringen av påsens ventil.
2. Tryck på båda frigöringsknapparna på vakuumhuvudet för att justera i höjden. För ner vakuumhuvudet mot påsens ventil tills det klickar. Den gröna lampan tänds. Obs! Den gröna lampan tänds endast om vakuumhuvudet har ordentlig kontakt med påsens ventil.
3. Tryck på Start-knappen för att starta vakuumförseglingen. Apparaten stannar automatiskt när påsen är helt vakuumförseglad.
4. Tryck på båda frigöringsknapparna på vakuumhuvudet för att lyfta upp det och ta bort den förseglade påsen.

Tips för FoodSaver™ Fresh-zippåsar

- Undvik att fylla påsen för mycket. Lämna alltid plats mellan påsens innehåll och zip-låsningen. Det gör det möjligt för påsens material att sluta tätt omkring maten.
- För dina fingrar över zip-låset för att stänga påsen innan du placerar den i apparaten.
- När du vakuumförseglar objekt med vassa kanter (torkad spagetti, bestick m.m.) kan du skydda påsen genom att svepa in objekten i ett mjukt material, som en pappersservett.

Förvaringsguide, tips och trick

Vakuumförpackning och livsmedelssäkerhet

Vakuumförpackning förlänger hållbarheten på livsmedel genom att avlägsna den mesta luften från den förseglade behållaren, och därmed reducera oxidation, vilket påverkar näringsvärde, smak och helhetskvalitet. Att avlägsna luften kan också förhindra växt av mikroorganismer, vilket kan orsaka problem under vissa förhållanden.

Förvara livsmedel på ett säkert sätt; det är viktigt att du gör det vid låga temperaturer. Växten av mikroorganismer minskar avsevärt vid en temperatur på 4°C eller lägre.

Frysning vid -17°C tar inte kål på mikroorganismer, men hindrar dem från att växa. För långvarig förvaring, frys alltid dagligvaror som har vakuumförpackats och förvara dem i kylskåp när de har tinats. FoodSaver™ Fresh-zippåsar bör endast användas vid förvaring i kylskåp eller skafferier och inte i frysen.

Det är viktigt att vara medveten om att vakuumförpackning INTE är en ersättning för en konservering och att den inte kan vända nedbrytning av livsmedel. Den kan bara sakta ner förändringar i kvaliteten. Det är svårt att förutsäga hur länge livsmedel kan behålla bästa smak, utseende eller textur eftersom det beror på livsmedlets ålder och tillstånd den dagen det vakuumförpackades.

VIKTIGT: Vakuumförpackning är INTE en ersättning för förvaring i kylskåp eller frysning. Alla ömtåliga livsmedel som kräver förvaring i kylskåp måste ändå förvaras i kylskåp eller fryses efter vakuumförpackning. För att undvika eventuell sjukdom, återanvänd inte påsar efter lagring av rått kött, rå fisk eller fet mat. .

Tina och värma vakuumpaketerade livsmedel



Tina alltid livsmedel i kylskåp eller mikrovågsugn. Tina aldrig färsvaror i rumstemperatur.

Värm mat i en FoodSaver™ Fresh-burk i mikrovågsugnen genom att släppa upp vakuumentilen och behålla locket på.

VIKTIGT: FoodSaver™ Fresh zip-påsar ska aldrig användas i mikrovågsugnar för att värma eller tina mat.

Förberedelser

Kött



Nötkött kan mörkna under vakuumpförelingen på grund av avsaknaden av syre. Det här är inte ett tecken på förruttelse.

Hårda ostar



Vakuumpförelga ost efter varje användning för att behålla färskheten. När du är redo för att förelga osten igen kan du bara placera den i FoodSaver™ Fresh-burken eller -zippåsen och vakuumpförelga den igen.

VIKTIGT: På grund av risken för anaeroba bakterier bör mjuka ostar aldrig vakuumpförelgas.

Grönsaker



Grönsaker måste förvällas innan de vakuumpförelgas. Detta hindrar den enzymprocess som kan leda till att smak, färg och konsistens förloras.

Förväll grönsakerna genom att lägga dem i kokande vatten eller i mikrovågsugnen tills de är färdiga, men fortfarande krispiga. Förvällningstiderna varierar: 1–2 minuter när det gäller bladgrönsaker och ärtor, 3–4 minuter för sockerärter, skivad zucchini eller broccoli, 5 minuter för morötter och 7–11 minuter för majscolvar.

Placera grönsakerna i kallt vatten när de är färdiga för att stoppa tillagningsprocessen. Torka sedan av grönsakerna med en handduk innan de vakuumpförelgas.

Obs! Vissa livsmedel (t.ex. broccoli, brysselkål, vitkål, blomkål, grönkål, rovor och bananer) avger naturligt gaser vid förvaring. Därför måste dessa förvaras i frysen efter förvällning.

När du fryser in grönsaker är det bäst att förfrys dem i 1–2 timmar eller tills de är helt frysta. Om du vill frysa in grönsaker i portioner kan du först placera dem på ett bakpapper och sprida ut dem så att de inte rör vid varandra. Då fryser de inte ihop till en enda klump. När de är frysta kan du sedan placera dem i en FoodSaver™ Fresh-burk och vakuumpförelga den. När grönsakerna har vakuumpförelgats lägger du tillbaka dem i frysen.

VIKTIGT: På grund av risken för anaeroba bakterier bör aldrig färska champinjoner, lök och vitlök vakuumpförelgas.

Bladgrönsaker



Tvätta först grönsakerna och eftertorka dem sedan med en handduk eller i en salladslunga. När de är torra lägger du dem i en FoodSaver™ Fresh-burk och vakuumpförelgar den som vanligt. Förvara i kylskåp.

Frukt



Du kan vakuumpförelga portionsvis till bakning eller en favoritblandning till en enkel fruktsallad året om. Om du ska förvara frukten i kylskåpet rekommenderar vi en FoodSaver™ Fresh-burk.

Bakverk



Vid vakuumpförelgning av mjuka bakverk rekommenderar vi att du använder en FoodSaver™ Fresh-burk, så att de behåller formen. Om du vill spara tid kan du göra kakdeg, pajdeg, hela pajer eller blanda torra ingredienser i förväg och vakuumpförelga dem för att kunna använda dem vid ett senare tillfälle.

Kaffe och pulverlivsmedel



Placera ett kaffefilter eller en pappershandduk överst i påsen eller behållaren före vakuumpförelgningen för att förhindra att mat dras in i vakuumpumpen. Du kan också placera maten i den ursprungliga påsen inuti en FoodSaver™ Fresh-zippåse eller använda en FoodSaver™ Fresh-burk vid vakuumpförelgning.



Vätskor

Vänta tills heta vätskor har svalnat till rumstemperatur innan du förelgar dem i en FoodSaver™ Fresh-burk. Vakuumpförelgning av heta vätskor kan leda till att vakuum förloras.

Skötsel och rengöring

Dra ur kontakten från vägguttaget före rengöring.

Torka av apparatens stomme med en mjuk, torr trasa.

Tag loss vätskebehållaren efter varje användning för att rensa den från fukt. Avlägsna vätskebehållaren genom att greppa underifrån och dra den nedåt från vakuumhuvudet. Tvätta den i varmt tvålsvatten och låt lufttorka ordentligt.

Packningen på vätskebehållaren kan också tas bort för rengöring. Rengör med varmt tvålsvatten och låt torka helt innan du sätter tillbaka den.

Kontrollera att behållarens slanganslutning är fri från matrester. Torka rent med en mjuk, torr trasa.

Förvaring

Kontrollera att apparaten är ren och förvara den upprätt på en plan, jämn yta en bit in från kanten så att den inte ramlar ned.

Felsökning

Problem	Lösning
Apparaten suger inte ut luften från FoodSaver™ Fresh-zippåsar.	<ul style="list-style-type: none">• Se till att påsen är ordentligt stängd.• Luftventilen är inte på ett plant underlag. Flytta påsen så att luftventilen ligger platt på apparatens plattform utan någon mat under.
Vakuummunstycket och luftventilen får inte kontakt.	<ul style="list-style-type: none">• Se till att vakuummunstycket är centrerat över den grå cirkeln och placeras plant på luftventilen. Tryck medelhårt.
Luften avlägsnades från påsen, men har nu kommit in i påsen igen.	<ul style="list-style-type: none">• Undersök påsens zi-plås och ventil. Matrester i zi-plåset eller i ventilen kan leda till läckage och att luft kommer in i påsen.• Ibland kan fukt eller matrester längs med förslutningen av påsen eller under ventilen förhindra att påsen förseglas ordentligt. Torka av insidan av påsen runt förslutningen och under ventilen och försök att försegla den igen.• Om du har vakuumförseglat vassa livsmedel kan håll ha uppstått. Använd en ny påse om det finns ett håll. Täck vassa livsmedel med mjukt material, t.ex. en pappersservett och försegla igen.
Det bildas inget vakuum i FoodSaver™ Fresh-burken.	<ul style="list-style-type: none">• Se till att gummipackningen på insidan av locket är fri från mat och fäst den ordentligt på plats.• Undersök burkens kanter så det inte finns några sprickor eller repor. Eventuella öppningar kan förhindra att vakuum bildas i burken. Se till att behållarens vakuumentil är ren.• Se till att locket är ordentligt stängt i alla fyra hörnen. Ta annars bort locket och tryck fast det igen.
LED-lampan på enheten blinkar rött.	<ul style="list-style-type: none">• Detta indikerar att apparaten inte helt har förseglat burken eller påsen. Höj vakuumhuvudet och se till att burken eller påsen är ordentligt försluten.• Se till att vätskebehållaren är ren och rätt isatt så att inga luftläckage förekommer.• Flytta vakuumhuvudet neråt och tryck fast det ordentligt på burkens eller påsens ventil och tryck på Start-knappen. Vakuumförseglingen ska inte ta längre än 1 minut.
LED-lampan på enheten blinkar grönt.	<ul style="list-style-type: none">• Detta indikerar att burken eller påsen inte är korrekt fäst vid vakuumhuvudet. Flytta vakuumhuvudet neråt och tryck fast det ordentligt på burkens eller påsens ventil och tryck på Start-knappen.

Garanti

Spara kvittot eftersom det krävs vid eventuellt ersättningskrav enligt denna garanti.

Den här produkten är garanterad i 2 år efter köpet så som beskrivs i detta dokument.

Under denna garantiperiod, vid den osannolika händelse att apparaten inte längre fungerar på grund av ett konstruktions- eller tillverkningsfel, tag tillbaka apparaten till inköpsstället tillsammans med ditt kvitto och en kopia av denna garanti.

Rättigheter och fördelar enligt denna garanti gäller utöver dina lagliga rättigheter, vilka inte påverkas av denna garanti. Endast Jarden Consumer Solutions (Europe) Limited ("JCS (Europe)") har rätten att ändra dessa villkor.

JCS (Europe) åtar sig att inom garantiperioden reparera eller byta ut apparaten, eventuella delar av apparaten som inte fungerar ordentligt, kostnadsfritt förutsatt att:

- Du omedelbart meddelar inköpsstället eller JCS (Europe) om problemet; och
- att apparaten inte har ändrats på något sätt eller utsatts för skada, används felaktigt, missbrukats, reparerats eller ändrats av någon person annan än en person som auktoriserats av JCS (Europe).

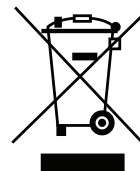
Fel som uppstår till följd av felaktig användning, skada, överanvändning, användning med fel spänning, force majeure, händelser som JCS (Europe) inte har kontroll över, reparation eller ändring utförd av en person som inte är auktoriserad av JCS (Europe) eller underlåtenhet att följa bruksanvisningen omfattas inte av denna garanti.

Vidare, så omfattas inte normalt slitage inklusive, men ej begränsat till, smärre missfärgning och repor av den här garantin. Rättigheterna inom ramen för den här garantin gäller endast den som ursprungligen köpte apparaten och inbegriper inte kommersiellt eller kollektivt bruk.

Om din apparat har en garanti som är specifik för ditt land, se villkoren för denna i stället för den här garantin, eller kontakta din lokala, auktoriserade återförsäljare för mer information.

Kasserade elektriska produkter ska inte slängas tillsammans med hushållsavfall. Återvinning ska ske på avsedd plats. Kontakta oss per e-post på enquiriesEurope@jardencs.com för mer information om återvinning och om avfall som utgörs av eller innehåller elektriska eller elektroniska produkter.

Jarden Consumer Solutions (Europe) Limited
5400 Lakeside
Cheadle Royal Business Park
Cheadle
SK8 3GQ
United Kingdom



Tärkeitä varotoimia

Kahdeksan vuotta täyttäneet lapset, fyysisesti tai henkisesti vammaiset, aistivammaiset ja riittävää kokemusta tai tietämystä vailla olevat saavat käyttää laitetta, jos heitä on ohjattu tai opastettu laitteen turvallisessa käytössä ja jos he ymmärtävät sen käyttöön liittyvät riskit. Laitetta ei ole tarkoitettu lasten leikkikaluksi. Laitteen puhdistusta ja huoltoa ei saa jättää lapsen tehtäväksi ilman aikuisen valvontaa.

Jos laitteen virtajohto vaurioituu, se on turvallisuussyistä vaihdettava valmistajan, valtuutetun huoltoedustajan tai muun pätevän henkilön toimesta.

- Laitteen on käytön aikana oltava vakaalla, kuivalla ja tasaisella alustalla.
- HUOMIO: TÄTÄ LAITETTA EI OLE TARKOITETTU KAUPALLISEEN KÄYTTÖÖN. Laitetta saa käyttää vain sen aiottuun käyttötarkoitukseen. Laitte on tarkoitettu vain kotitalouskäyttöön. Laitetta ei ole tarkoitettu ulkokäyttöön.
- Älä koskaan kasta laitetta tai sen virtajohtoa ja pistoketta veteen tai muuhun nesteeseen.
- Laitetta ei saa käyttää, jos se on päässyt putoamaan tai jos siinä näkyy vaurioita.
- Katkaise laitteesta käytön jälkeen virta ja irrota virtajohdon pistoke pistorasiasta ennen laitteen puhdistamista.
- Voit katkaista laitteen virran irrottamalla virtajohdon pistorasiasta. Älä irrota johtoa vetämällä siitä.
- Älä käytä laitteessa jatkojohtoa.
- Käytä ainoastaan valmistajan suosittelemia laitteita tai varusteita.

SÄILYTÄ NÄMÄ OHJEET

FoodSaver™ -järjestelmä

Tyhjiöpakkauksen edut

Kosketus ilman kanssa heikentää ruoan ravintoarvoa ja makua, aiheuttaa pakastuspalamista ja tarjoaa kasvualustan monille bakteereille, homeelle ja hiivalle. FoodSaver™-tyhjiöpakkauslaitte poistaa ilman ja säilyttää ruoan maun ja laadun. Nauti tieteellisesti todistetun ruoansäilytystavan eduista – ruoka säilyy tuoreena jopa viisi kertaa pidempään.

FoodSaver™-laite säästää aikaa ja rahaa.

- **Säästä rahaa.** FoodSaver™-laitteen omistajana voit ostaa esimerkiksi tarjouksessa olevaa ruokaa suurissa määrissä ja tyhjiöpakata sen sopivissa annoksissa ruokaa haaskaamatta.
- **Säästä aikaa.** Voit valmistaa aterioita ja säilöä ne FoodSaver™-pusseihin myöhemmin viikolla nautittaviksi.
- **Marinoi käden käänteessä.** Tyhjiöpakkauksen yhteydessä ruoan huokokset aukeavat, joten marinoitaessa aromit tarttuvat jopa 20 minuutissa sen sijaan, että ruokaa olisi marinoitava yli yön.
- **Viihdytä vieraita.** Voit valmistaa erikoisuutesi etukäteen, joten vieraiden viihdyttämiseen jää enemmän aikaa.
- **Nauti kausiluontoisista ruoista ja erikoisruoista.** Helposti pilaantuvat ja harvoin käytetyt ruokatarvikkeet säilyvät pitempään tuoreina.
- **Säännöstele annoskokoa dieetin mukaan.** Voit tyhjiöpakata järkevän kokoisia annoksia ja kirjoittaa kalorien ja rasvan määrän pusseihin.
- **Suojaa ei-ruokatarvikkeita.** Retkeily- ja veneilytarvikkeet on helppo pitää kuivina ja järjestyksessä seuraava reissua varten. Tyhjiöpakattuina kiillotetut hopeaesineet eivät pääse tummentumaan.

FoodSaver™ Accessories

Hyödynnä FoodSaver™-laittasi parhaalla mahdollisella tavalla helpokäyttöisten FoodSaver™-astioiden ja -pusseiden avulla.

FoodSaver™ Suljettavat tuoresäilytyspusstit

FoodSaver™ Suljettavat tuoresäilytyspusstit on suunniteltu siten, että ilma voidaan poistaa niistä mahdollisimman tehokkaasti. Monikerroksisesta rakenteesta johtuen ne suojaavat erityisen tehokkaasti hapelta ja kosteudelta ja estävät jääpoltteen syntymisen.

FoodSaver™ Tuoresäilytysastiat

FoodSaver™ Tuoresäilytysastioita on helppo käyttää ja ne sopivat ihanteellisesti herkkien tuotteiden, kuten leivonnaisten, nesteiden ja kuivatavarojen tyhjiöpakkaamiseen.

Tilaaminen

Voit tilata FoodSaver™-pusseja, rullia ja tarvikkeita valitsemalla verkkosivustosta www.foodsavereurope.com alueesi.

Osat

Katso kuva 1:

- | | |
|---------------------------------|---------------------------|
| A Käynnistyspainike | E Jalusta |
| B Valmis-merkkivalo | F Tyhjiöintiportti |
| C Vapautuspainikkeet (2) | G Nestesäiliö |
| D Alusta | H Tyhjiöintipää |

Tuoreen ruoan säilytysjärjestelmän käyttö

Tyhjiöpakkaaminen FoodSaver™ Tuoresäilytysastioihin

Katso kuva 2:

1. Aseta tyhjiöpakattava tuote astiaan. Aseta kansi pohja-astiaan. Varmista, että kansi on tiivis painamalla lujasti kaikkia kulmia.
2. Aseta astia jalustalle käyttämällä alustaa apuna.
3. Säädä tyhjiöintipään korkeutta painamalla yhtä aikaa molempia vapautuspainikkeita. Työnnä tyhjiöintipäätä astian venttiiliin, kunnes se naksahtaa. Vihreä valmis-merkkivalo syttyy.
Huomautus: Vihreä valo syttyy vain, jos tyhjiöintipää on kiinnittynyt kunnolla astian venttiiliin.
4. Aloita tyhjiöpakkaus painamalla käynnistyspainiketta. Astiassa oleva tyhjiön merkki painuu kuopalle tyhjiöpakkauksen aikana. Älä keskeytä pakkaamista. Laite lopettaa pakkaamisen automaattisesti, kun astia on täysin tyhjiöpakattu.
5. Nosta tyhjiöintipää painamalla yhtä aikaa molempia vapautuspainikkeita, ja poista tyhjiöpakattu astia.

Voit marinoida ruokia nopeasti käyttämällä FoodSaver™ Tuoresäilytysastioita. Laita ruoka astiaan, peitä se kokonaan haluamallasi marinadilla, ja paina kansi tiiviisti kiinni.

Seuraa sitten kohdan *Tyhjiöpakkaaminen FoodSaver™ Tuoresäilytysastioihin* vaiheita 2–5. Pidä ruoka tyhjiöpakattuna 20 minuuttia, jotta se marinoituu kunnolla.

Tyhjiöpakkaus FoodSaver™ Suljettaviin tuoresäilytyspusseihin

FoodSaver™ Suljettavia tuoresäilytyspusseja tulee käyttää vain tuoretuotteiden säilytykseen, ja niitä on säilytettävä jääkaapissa tai ruokakomeroissa, ei pakastimessa. Älä käytä nesteiden tyhjiöpakkaukseen.

Jos pakkaat kosteita ruokia, varmista, ettei neste ulotu säilytyspussin venttiiliin, ja tarkista ja puhdista laitteen nestesäiliö tarvittaessa.

Katso kuva 3:

1. Aseta tyhjiöpakattava tuote pussiin. Aseta pussi jalustalle käyttämällä alustaa apuna, ja aseta pussin venttiili kohdalleen.
2. Säädä tyhjiöintipään korkeutta painamalla yhtä aikaa molempia vapautuspainikkeita. Työnnä tyhjiöintipäätä pussin venttiiliin, kunnes se naksahtaa. Vihreä valmis-merkkivalo syttyy.
Huomautus: Vihreä valo syttyy vain, jos tyhjiöintipää on kiinnittynyt kunnolla pussin venttiiliin.
3. Aloita tyhjiöpakkaus painamalla käynnistyspainiketta. Laite lopettaa pakkaamisen automaattisesti, kun pussi on täysin tyhjiöpakattu.
4. Nosta tyhjiöintipää painamalla yhtä aikaa molempia vapautuspainikkeita, ja poista tyhjiöpakattu pussi.

Vinkkejä FoodSaver™ Suljettavien tuoresäilytyspussien käyttöön

- Vältä pussin täyttämistä liian täyteen, ja jätä aina tilaa pakattavan aineksen ja pussin sulkijan väliin. Tämä antaa pussille tilaa pakkautua tiiviisti ruokaa vasten.
- Muista sulkea pussin sulkija ennen pussin asettamista laitteeseen.
- Kun pakkaat tyhjiöpakkaukseen teräväkulmaisia tuotteita (kuivaa spagettia, aterimia jne.), estä pussin reikiintyminen kietomalla tuotteet pehmusteeseen, kuten talouspaperiin.

Säilytysohjeita ja -vinkkejä

Tyhjiöpakkaus ja elintarviketurvallisuus

Tyhjiöpakkausprosessi pidentää elintarvikkeiden säilyvyyttä, koska lähes kaiken ilman poistaminen tiiviistä säiliöstä vähentää hapettumista, mikä puolestaan parantaa elintarvikkeiden ravintoarvoa, makua ja yleistä laatua. Ilman poistaminen voi myös estää tietyissä olosuhteissa ongelmallisten mikro-organismien kasvun.

Elintarvikkeiden turvallinen säilytys edellyttää alhaista lämpötilaa. Mikro-organismien kasvumahdollisuudet heikkenevät tuntuvasti, jos lämpötila on enintään 4 °C.

Pakastaminen -17 celsiusasteen lämpötilassa ei tapa mikro-organismeja, mutta se estää niitä kasvamasta. Jos tyhjiöpakattuja pilaantuvia elintarvikkeita aiotaan säilyttää pitkään, ne on pakastettava. Sulattamisen jälkeen niitä on säilytettävä jääkaapissa. FoodSaver™ Suljettavia tuoresäilytyspusseja tulee käyttää vain tuoretuotteiden säilytykseen, ja niitä on säilytettävä jääkaapissa tai ruokakomeroissa, ei pakastimessa.

On tärkeää muistaa, että tyhjiöpakkauksella EI saavuteta samoja tuloksia kuin purkituksella ja että sillä ei voida pysäyttää elintarvikkeiden pilaantumista. Tyhjiöpakkauksella voidaan ainoastaan hidastaa laadun heikkenemistä. On vaikeaa arvioida, kuinka pitkään elintarvikkeet säilyttävät hyvän maun, ulkonäön tai koostumuksen, koska tähän vaikuttavat elintarvikkeiden ikä ja kunto tyhjiöpakkausohjeilla.

TÄRKEÄÄ: Tyhjiöpakkaus EI ole vaihtoehto jääkaapissa tai pakastimessa säilyttämiselle. Pilaantuvia elintarvikkeita, jotka edellyttävät jääkaapissa säilyttämistä, on säilytettävä jääkaapissa tai pakastamisessa, vaikka ne olisi tyhjiöpakattu. Tautien välttämiseksi pusseja ei saa käyttää uudelleen sen jälkeen, kun niissä on säilytetty raakaa lihaa tai kalaa tai rasvaisia ruokia.

Tyhjiöpakattujen ruokien sulatus ja kuumennus



Sulata ruoat aina jääkaapissa tai mikroaaltouunissa. Älä sulata pilaantuvia ruokia huoneenlämmössä.

Kun kuumennat FoodSaver™ Tuoresäilytysastian pakattuja ruokia mikroaaltouunissa, vapauta tyhjiöventtiili ja pidä kansi kiinni.

TÄRKEÄÄ: FoodSaver™ Fresh Zipper Bag salpapusseja ei tule koskaan käyttää mikrouunissa ruoan lämmittämiseen tai sulattamiseen.

Esikäsittelyohjeet

Liha



Naudanliha voi näyttää tummemmalla tyhjiöpakkauksen jälkeen, mikä johtuu hapen poistamisesta. Tämä ei ole merkki pilaantumisesta.

Kovat juustot



Pidä juusto tuoreena tyhjiöpakkaamalla se aina käytön jälkeen. Kun olet valmis pakkaamaan juuston uudelleen, laita se vain takaisin FoodSaver™ Tuoresäilytysastiaan tai FoodSaver™ Suljettavaan tuoresäilytyspussiin ja tyhjiöpakkaa se uudelleen.

TÄRKEÄÄ: Anaerobisten bakteerien vaaran vuoksi pehmeitä juustoja ei tule koskaan tyhjiöpakata.

Vihannekset



Vihannekset on kiehausettava ennen tyhjiöpakkaamista. Tämä pysäyttää entsyymireaktion, joka voi aiheuttaa maun, värin ja rakenteen katoamista.

Kiehauta vihannekset laittamalla ne kiehuvaan veteen tai mikroaaltouuniin, kunnes ne ovat kypsyeitä, mutta edelleen rapeita. Kiehausajat vaihtelevat. Lehteille vihreille vihanneksille ja herneille tarvittava aika on 1–2 minuuttia, sokeriherneille, kesäkurpitsasiivuille tai parsakaalille 3–4 minuuttia, porkkanoille 5 minuuttia ja maissintähkille 7–11 minuuttia.

Upota vihannekset kiehausuksen jälkeen kylmään veteen kypsennysprosessin pysäyttämiseksi. Kuivaa lopuksi vihannekset pyyhkeeseen ennen tyhjiöpakkaamista.

Huomautus: Jotkin ruoat (mukaan lukien parsakaali, ruusukaali, keräkaali, kukkakaali, lehtikaali, tumipsi ja banaani) vapauttavat kaasuja säilytyksen aikana. Tästä syystä niitä on säilytettävä kiehausuksen jälkeen pakastimessa.

Vihanneksia pakastettaessa on parasta esipakastaa niitä 1–2 tuntia tai kunnes ne ovat kunnolla jäätyneet. Jos haluat pakastaa vihanneksia erillisissä annoksissa, aseta pohjalle leivinpaperi ja levitä vihannekset sen päälle siten, että ne eivät koske toisiaan. Näin estät niitä jäätyvästä kiinni toisiinsa. Kun vihannekset on pakastettu, ota ne pois leivinpaperilta ja tyhjiöpakkaa ne FoodSaver™ Tuoresäilytysastiasa. Laita vihannekset takaisin pakastimeen tyhjiöpakauksen jälkeen.

TÄRKEÄÄ: Anaerobisten bakteerien vaaran vuoksi tuoreita sieniä, sipuleita ja valkosipuleita ei tule koskaan tyhjiöpakata.

Lehtivihannekset



Pese vihannekset ensin, ja kuivaa ne sitten pyyhkeellä tai lingossa. Kun vihannekset on kuivattu, laita ne FoodSaver™ Tuoresäilytysastiaan ja tyhjiöpakkaa normaalisti. Säilytä jääkaapissa.

Hedelmät



Voit tyhjiöpakata annoksia leivontaa varten tai tehdä lempijohdistelmiasi helpottamaan hedelmäsalaatin tekoa ympäri vuoden. Jos säilytät hedelmiä jääkaapissa, suosittelemme käyttämään FoodSaver™ Tuoresäilytysastiaa.

Leivonnaiset



Suosittellemme käyttämään pehmeiden tai ilmavien leivonnaisten tyhjiöpakkauksessa FoodSaver™ Tuoresäilytysastiaa, jotta leivonnaisten muoto säilyy hyvänä. Voit säästää aikaa tekemällä pikkuleipätaikinan, piirakkapohjan, kokonaisen piirakan tai kuiva-aineskoitukset etukäteen ja tyhjiöpakkaamalla ne myöhempää käyttöä varten.

Kahvi ja jauhemaiset elintarvikkeet



Voit estää ruoanmurujen joutumisen tyhjiöpumppuun asettamalla suodatinpussin tai talouspaperin palan pussin tai astian päälle ennen tyhjiöpakkaamista. Voit myös laittaa ruoan sen alkuperäisessä pussissa FoodSaver™ Suljettavaan tuoresäilytyspussiin tai käyttää FoodSaver™ Tuoresäilytysastiaa tyhjiöpakkaamiseen.

Nesteet



Odota, että kuumat nesteet ovat huoneenlämpöisiä ennen niiden tyhjiöpakkaamista FoodSaver™ Tuoresäilytysastiaan. Kuumien nesteiden tyhjiöpakkaaminen voi aiheuttaa tyhjiön menetyksen.

Hoito ja puhdistaminen

Irrota laitteen virtajohto pistorasiasta aina ennen puhdistamista.

Pyyhi laitteen runko pehmeällä kuivalla rätillä.

Irrota ja kuivaa nestesäiliö jokaisen käyttökerran jälkeen. Irrota nestesäiliö tarttumalla siihen kahdella sormella ja vetämällä se alas tyhjiöintipäästä. Pese lämpimällä saippuavedellä ja anna kuivua täysin.

Nestesäiliön tiiviste voidaan myös irrottaa puhdistamista varten. Pese lämpimällä saippuavedellä ja anna kuivua täysin ennen kiinnittämistä uudelleen.

Tarkista, ettei tyhjiöintiportissa ole ruokajäämiä. Pyyhi puhtaaksi pehmeällä kuivalla liinalla.

Säilytys

Varmista, että laite on puhdas, ja säilytä sitä tasaisella alustalla etäällä reunasta, jottei se pääse putoamaan.

Vianmääritys

Ongelma	Ratkaisu
Laite ei poista ilmaa FoodSaver™ Suljettavasta tuoresäilytuspussista.	<ul style="list-style-type: none">• Varmista, että pussi on suljettu kunnolla.• Ilmaventtiili ei ole tasaisella pinnalla. Aseta pussi niin, että ilmaventtiili on tasaisesti laitteen alustan päällä, eikä sen alla ole ruokaa.
Tyhjiöntipään suutin ei kosketa ilmaventtiiliä.	<ul style="list-style-type: none">• Varmista, että tyhjiöntipään suutin on keskellä harmaata ympyrää ja tasaisesti ilmaventtiin päällä. Paina kevyesti.
Ilma poistettiin pussista, mutta nyt ilmaa on päässyt uudelleen pussin sisään.	<ul style="list-style-type: none">• Tarkista pussin sulkija ja venttiili. Sulkijassa tai venttiilissä olevat ruokajäämät voivat aiheuttaa vuotoja ja ilman pääsemisen pussiin.• Sulkijan reunoissa tai venttiin alla oleva kosteus tai ruoka-aines voi joskus estää pussia sulkeutumasta kunnolla. Pyyhi pussin sisäpinta sulkijan ympäriltä ja venttiin alta, ja yritä pakkaamista uudelleen.• Jos tyhjiöpakkaat teräväreunaisia elintarvikkeita, pussiin voi tulla reikä. Ota uusi pussi, jos pussiin on tullut reikä. Suojaa teräväkulmaiset elintarvikkeet pehmusteella, kuten talouspaperilla, ja saamaa pussi.
FoodSaver™ Tuoresäilytysastian ei muodostu tyhjiötä.	<ul style="list-style-type: none">• Varmista, että kannen alla olevassa kumitiivisteessä ei ole ruokaa ja se on kunnolla paikallaan.• Tarkista, ettei astian reunassa ole murtumia tai naarmuja. Kaikenlaiset raot voivat estää astiaa tyhjiöpakkaustasta kunnolla. Varmista, että astian tyhjiöventtiili on puhdas.• Varmista, että astian kansi on kunnolla kiinni joka reunasta. Irrota kansi ja paina se uudelleen kiinni.
Laitteen led-valo vilkkuu punaisena.	<ul style="list-style-type: none">• Tämä tarkoittaa, että laite ei tiivistänyt astiaa tai pussia kunnolla. Nosta tyhjiöntipää ja varmista, että astia tai pussi on suljettu kunnolla.• Varmista, että nestesäiliö on puhdas ja kunnolla paikallaan, jotta ilmaa ei pääse vuotamaan.• Siirrä tyhjiöntipää alas, paina se kunnolla astian tai pussin venttiin ja paina käynnistyspainiketta. Tyhjiöpakkauksen ei pitäisi kestää yhtä minuuttia kauempaa.
Laitteen led-valo vilkkuu vihreänä.	<ul style="list-style-type: none">• Tämä tarkoittaa, että astian tai pussin venttiili ei ole kunnolla kiinni tyhjiöntipäässä. Siirrä tyhjiöntipää alas, paina se kunnolla astian tai pussin venttiin ja paina käynnistyspainiketta.

Takuu

Säilytä tämä kuitti, sillä se on edellytys tämän takuun alaisille reklamaatioille.

Tälle laitteelle myönnetään 2 vuoden takuu ostopäivästä tässä asiakirjassa kuvatulla tavalla.

On epätodennäköistä, että laite lakkaa toimimasta suunnittelu- tai valmistusvirheen takia, mutta jos niin käy, vie laite takaisin ostopaikkaan ja ota mukaan kassakuitti ja tämä takuu.

Tämän takuun alaiset oikeudet ja edut ovat lisä lakisääteisiin oikeuksiin, joihin tämä takuu ei vaikuta.

Ainoastaan Jarden Consumer Solutions (Europe) Limited ("JCS (Europe)") saa muuttaa näitä ehtoja. JCS (Europe) korjaa tai vaihtaa takuuaikana veloituksetta laitteen tai laitteen minkä tahansa osan, joka ei toimi oikein, mikäli:

- ongelma ilmoitetaan välittömästi ostopaikkaan tai JCS (Europe) -yhtiölle
- laitetta ei ole muutettu millään tavalla eikä se ole vaurioitunut, sitä ei ole käytetty virheellisesti tai väärin eikä sitä ole korjannut tai muuttanut muu kuin JCS (Europe) -yhtiön valtuuttama henkilö.

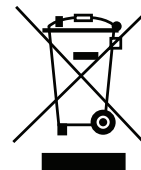
Tämä takuu ei kata vikoja, jotka aiheutuvat virheellisestä käytöstä, vaurioista, väärinkäytöstä, käytöstä väärällä jännitteellä, luonnonmullistuksista, tapahtumista, joihin JCS (Europe) ei voi vaikuttaa, muiden kuin JCS (Europe) -yhtiön valtuuttamien henkilöiden tekemästä korjauksesta tai muutoksesta tai siitä, että käyttöohjeita ei ole noudatettu. Lisäksi tämä takuu ei kata normaalia kulumista, kuten pieniä värimuutoksia ja naarmuja.

Tämän takuun alaiset oikeudet koskevat vain alkuperäistä ostajaa, eivätkä oikeudet koske kaupallista käyttöä tai yhteisökäyttöä.

Jos laitteen mukana tuli maakohtainen takuulappu, kyseisen takuun ehdot ovat voimassa tämän takuun sijaan. Voit myös pyytää lisätietoja paikalliselta jälleenmyyjältä.

Käytöstä poistettavia elektroniikkalaitteita ei saa hävittää kotitalousjätteen mukana. Kierrätä mahdollisuuksien mukaan. Kirjoittamalla sähköpostiosoitteeseemme enquiriesEurope@jardencs.com saat lisätietoja kierrätyksestä ja elektroniikkalaiteromusta.

Jarden Consumer Solutions (Europe) Limited
5400 Lakeside
Cheadle Royal Business Park
Cheadle
SK8 3GQ
United Kingdom



Vigtige Sikkerhedsanvisninger

Dette produkt må anvendes af børn på 8 år og derover, samt personer med fysiske, sansemæssige eller mentale handicap eller manglende erfaring og viden, såfremt vedkommende er under opsyn eller har modtaget anvisninger i forsvarlig brug af apparatet, og vedkommende forstår farerne i forbindelse med brugen. Børn må ikke lege med apparatet. Rengøring og vedligeholdelse må ikke foretages af børn uden opsyn.

Hvis den monterede ledning er beskadiget, skal den udskiftes af producenten, dennes serviceagent eller en lignende kvalificeret person for at undgå sikkerhedsfarer.

- Brug altid apparatet på en stabil, fast, tør og plan overflade.
- **FORSIGTIG: DETTE APPARAT ER IKKE TIL ERHVERVSBRUG.** Brug aldrig dette apparat til andet, end det er beregnet til. Dette apparat er kun beregnet til husholdningsbrug. Brug ikke apparatet uden døre.
- Nedsænk aldrig nogen del af apparatet eller ledningen og stikket i vand eller nogen anden væske.
- Undlad at bruge apparatet, hvis det er blevet tabt, eller hvis det bærer synlige tegn på skader.
- Sørg for, at apparatet er slukket, og at stikket er trukket ud af stikkontakten, inden apparatet rengøres.
- Ta støpselet ut af stikkontakten for å koble fra. Trekk ikke i ledningen når du tar ut støpselet.
- Ikke bruk en skjøtledning sammen med apparatet.
- Bruk kun tilbehør eller utstyr som er anbefalt av produsenten.

GEM DENNE BRUGSANVISNING

FoodSaver™-systemet

Hvorfor vakuumpakke?

Lufteksponering gjør at mat mister næringsverdi og smak, og kan også føre til fryseskader. I tillegg gjør luften mange bakterier, mugg- og gjærsopper i stand til å vokse. FoodSaver™ vakuumpakkingssystem fjerner luft og lukker smaken og kvaliteten inne. Du kan nu nyde fordelene ved en videnskabeligt dokumenteret metode til fødevareropbevaring, som holder fødevarer friske op til fem gange længere.

FoodSaver™-systemet sparer tid og penger.

- **Bruk mindre penger.** Med FoodSaver™-systemet kan du kjøpe inn stort eller på salg, og vakuumpakke maten din i passende porsjoner uten å måtte kaste mat.
- **Spar mer tid.** Lag mat for hele uken, forbered måltider og oppbevar dem i FoodSaver™-poser.
- **Mariner på minutter.** Vakuumpakking åpner opp porene i maten slik at du kan få den herlige marinerte smaken på bare 20 minutter i stedet for over natten.
- **Gjør det enkelt å ha selskap.** Lag signaturretten din og feriegodbitene dine på forhånd slik at du kan bruke tiden sammen med gjestene dine.
- **Nyt sesongvarer og spesialiteter.** Du kan holde matvarer som fort blir dårlige eller som du sjelden bruker ferske lengre.
- **Kontrollerte porsjoner for slanking.** Vakuumpakk fornuftige porsjoner og skriv kalorier og/eller antall gram fett på posen.
- **Beskytt andre ting enn matvarer.** Hold camping- og båtutstyr tørt og organisert når du drar på tur. Beskytt polert sølv mot anløp gjennom å redusere kontakten med luft.

FoodSaver™ Tilbehør

Få mest muligt ud af dit FoodSaver™-apparat med de brugervenlige opbevaringsbokse og poser fra FoodSaver™.

FoodSaver™-lynslåposer

Lynslåposer fra FoodSaver™ har særlige kanaler, som gør det muligt at fjerne luften effektivt. Udformningen med flere lag gør dem til en særligt effektiv barriere for ilt og fugt.

FoodSaver™-opbevaringsbokse

Opbevaringsbokse fra FoodSaver™ er nemme at bruge og ideelle til vakuumpakning af sarte fødevarer som muffins og andet bagværk, væsker og tørvarer.

Bestilling

For å bestille FoodSaver™ poser, ruller og tilbehør, vennligst besøk www.foodsavereurope.com og velg din region.

Dele

Se fig. 1:

- | | |
|----------------------------|-----------------------|
| A Startknap | E Fod |
| B Klarlampe | F Vakuumport |
| C Udløserknap (x 2) | G Vandbeholder |
| D Platform | H Vakuumhoved |

Betjening af dit konserveringsystem til friske fødevarer

Vakuumforsegling med FoodSaver™-opbevaringsboks

Se fig. 2:

1. Læg den genstand, der skal vakuumforsegles, i opbevaringsboksen. Sæt låget på opbevaringsboksens bund. Tryk godt på alle hjørner for at sikre, at låget sidder godt fast.
2. Placer opbevaringsboksen på foden, og ret ind efter platformen.
3. Tryk på begge udløserknapper på vakuumhovedet for at justere højden. Placer vakuumhovedet på opbevaringsboksens ventil, indtil det klikker på plads. Den grønne klarlampe tændes. Bemærk: Den grønne lampe tændes kun, hvis vakuumhovedet sidder korrekt på opbevaringsboksens ventil.
4. Tryk på knappen Start for at starte vakuumforseglingsprocessen. Vakuumindikatoren på opbevaringsboksen vil bule indad tidligt i vakuumforseglingsprocessen. Du må ikke stoppe processen. Apparatet stopper automatisk, når opbevaringsboksen er helt vakuumforseglet.
5. Tryk på begge udløserknapper på vakuumhovedet for at løfte det op. Fjern derefter den forseglede opbevaringsboks.

Du kan hurtigt marinere fødevarer i FoodSaver™-opbevaringsbokse. Anbring madvaren i opbevaringsboksen, dæk den helt med din foretrukne marinade, og tryk låget fast på for at forsegle boksen.

Du kan derefter følge trinene 2-5 under *Vakuumforsegling med FoodSaver™-opbevaringsbokse*. Lad maden hvile vakuumforseglet i 20 minutter for at sikre, at marinaden trænger ind i madvaren.

Vakuumforsegling med FoodSaver™-lynlåposer

Lynlåposer fra FoodSaver™ er kun beregnet til opbevaring af friske madvarer (i køleskab eller spisekammer) og ikke i fryseren. Må ikke bruges til at vakuumforsegle væsker.

Hvis du vakuumforsegler fugtige fødevarer, skal du kontrollere, at væsken ikke når lynlåspens ventil og kontrollere og rengøre apparatets vandbeholder efter behov.

Se fig. 3:

1. Læg den genstand, der skal vakuumforsegles, i posen. Placer posen på foden, og ret den ind efter platformen. Juster placeringen af posens ventil.
2. Tryk på begge udløserknapper på vakuumhovedet for at justere højden. Placer vakuumhovedet på posens ventil, indtil det klikker på plads. Den grønne klarlampe tændes. Bemærk: Den grønne lampe tændes kun, hvis vakuumhovedet sidder korrekt på posens ventil.
3. Tryk på knappen Start for at starte vakuumforseglingsprocessen. Apparatet stopper automatisk, når posen er helt vakuumforseglet.
4. Tryk på begge udløserknapper på vakuumhovedet for at løfte det op. Fjern derefter den forseglede pose.

Tip til FoodSaver™-lynlåposer

- Undgå at fylde for meget i posen – der skal altid være plads mellem posens indhold og lynlåsen. På den måde kan posen lukke helt tæt omkring maden.
- Skub fingrene hen over lynlåsen for at lukke posen, inden du placerer den på apparatet.
- Når du vakuumpakker genstande med skarpe kanter (tør spaghetti, bestik osv.), skal du beskytte posen imod perforeringer ved at pakke genstandene ind i blødt materiale, som f.eks. et stykke køkkenrulle.

Oppbevaring, hint og tips

Vakuumpakking og matvaresikkerhet

Vakuumpakningsprosessen forlenger levetiden til matvarer ved å fjerne mesteparten av luften fra den forseglede beholderen, og på denne måten redusere oksidasjonen som påvirker næringsverdi, smak og kvalitet generelt. Ved å fjerne luft kan man også begrense veksten av mikroorganismer, som kan føre til problemer under visse forhold.

For å bevare mat på en trygg måte er det meget viktig at du opprettholder lave temperaturer. Du kan begrense veksten av mikroorganismer signifikant ved temperaturer på 4 °C og lavere. Å fryse mat ved -17 °C dreper ikke mikroorganismer, men hindrer videre vekst. Hvis du skal lagre mat over lang tid må du alltid fryse mat som fort blir dårlig etter at den er vakuumpakket, og oppbevare den i kjøleskap etter tining. Lynlåsposer fra FoodSaver™ er kun beregnet til oppbevaring af friske matvarer (i kjøleskap eller spisekammer) og ikke i fryseren.

Det er viktig å merke seg at vakuumpakking IKKE er en erstatning for hermetisering, og kan ikke reversere nedbrytningen av matvarer. Det kan kun bremse kvalitetsendringen. Det er vanskelig å forutsi hvor lenge matvarer vil beholde smak av topp kvalitet, utseende og konsistens da dette er avhengig av matens alder og tilstand den dagen den ble vakuumpakket.

VIKTIG: Vakuumpakking er ikke en erstatning for nedkjøling eller frysing. All mat som kan bli dårlig og som krever nedkjøling må fremdeles oppbevares i kjøleskap eller fryser etter vakuumpakking. For å unngå sykdom må ikke poser brukes på nytt etter å ha lagret rått kjøtt, rå fisk eller mat med mye olje/fett.

Optøning og genopvarming af vakuumpakkede fødevarer



Optø alltid fødevarer i kjøleskabet eller i mikrobølgeovnen – undgå at optø letfordærlige fødevarer ved stuetemperatur.

Løsn vakuumentilen, og lad låget sitte på, når du genopvarmer fødevarer i mikrobølgeovnen i en FoodSaver™-opbevaringsboks.

VIGTIGT: FoodSaver™ Fresh Zipper Bags bør aldrig anvendes til genopvarming eller optøning af matvarer i mikrobølgeovn.

Retningslinjer for klargøring

Kød



Oksekød kan se mørkere ud efter vakuumforsegling grundet den manglende ilt. Det betyder ikke, at det er fordærvet.

Hårde oste



Vakuumforsegl ost efter hver brug for at holde den frisk. Når du er klar til at genforsegle osten, kan du bare lægge den tilbage i opbevaringsboksen eller lynlåsposen fra FoodSaver™ og forsegle den igen.

VIGTIGT: På grund af risikoen for anaerobe bakterier bør bløde oste aldrig vakuumforsegles.

Grøntsager



Grøntsager skal blancheres, inden de vakuumforsegles. Denne proces stopper enzymprocessen, der kan føre til tab af smag, farve og struktur.

Du blancherer grønnsager ved at placere dem i kogende vand eller i mikrobølgeovnen, indtil de er tilberedte, men stadigvæk sprøde. Blanchering tager fra 1 til 2 minutter for bladgrøntsager og ærter; 3 til 4 minutter for sukkerærter, squash i skiver eller broccoli; 5 minutter for gulerødder; og 7 til 11 minutter for majscolber.

Efter blancheringen nedsænkes grønnsagerne i koldt vand for at stoppe tilberedningen. Tør til sidst grønnsagerne på et viskestykke, inden de vakuumforsegles.

Bemærk: Nogle fødevarer (herunder broccoli, rosenkål, hvidkål, blomkål, grønkål, majsroer og bananer) udsender naturligt gasser under opbevaring. Derfor skal de efter blancheringen udelukkende opbevares i fryseren.

Ved frysning af grønnsager er det bedst at indfryse dem i 1-2 timer, eller indtil de er helt frosne. Hvis du vil fryse grønnsager i enkeltportioner, skal du først lægge dem på et stykke bagepapir og sprede dem ud, så de ikke rører ved hinanden. Så fryser de ikke sammen i en klump. Når grønnsagerne er frosne, fjernes de fra bagepapiret og vakuumforsegles i en opbevaringsboks fra FoodSaver™. Læg grønnsagerne tilbage i fryseren efter vakuumforseglingen.

VIGTIGT: På grund af risikoen for anaerobe bakterier må friske svampe, løg og hvidløg aldrig vakuumforsegles.

Bladgrøntsager



Vask grønnsagerne, og tør dem derefter med et viskestykke eller i en salatslynge. Når de er tørre, lægges de i en opbevaringsboks fra FoodSaver™ og vakuumforsegles på normal vis. Opbevares i køleskab.

Frugt



Du kan vakuumforsegle enkeltportioner til bagning eller blande frugten som du bedst kan lide den til nem frugtsalat året rundt. Hvis frugt opbevares i køleskab, anbefaler vi, at du bruger en opbevaringsboks fra FoodSaver™.

Bagværk



Til vakuumforsegling af blødt eller luftigt bagværk anbefaler vi en opbevaringsboks fra FoodSaver™, så bagværket ikke bliver klemt. Du kan spare tid ved at lave småkagedej, tærtebunde, hele tærter eller blande tørre ingredienser på forhånd og vakuumforsegle dem til senere brug.

Kaffe og fødevarer i pulverform



Placer et kaffefilter eller et stykke køkkenrulle i toppen af posen eller beholderen, før den vakuumforsegles for at forhindre, at fødevarerpartikler suges ind i vakuumpumpen. Du kan også anbringe fødevarer i den oprindelige indpakning (pose) i en FoodSaver™-lynlåspose eller bruge en FoodSaver™-opbevaringsboks til vakuumforsegling.

Væsker



Vent, til varme væsker er afkølede til stuetemperatur, inden de vakuumforsegles i en FoodSaver™-opbevaringsboks. Vakuumforsegling af varme væsker kan medføre tab af vakuum.

Feilsøking

Problem	Løsning
Apparatet suger ikke luft ud af FoodSaver™-lynlåsposen.	<ul style="list-style-type: none">• Sørg for, at posen er lukket ordentligt.• Luftventilen befinder sig ikke på en plan overflade. Flyt posen, så luftventilen ligger fladt på apparatets platform uden madvarer underne.
Vakuumdysen og luftventilen rører ikke ved hinanden.	<ul style="list-style-type: none">• Sørg for, at vakuumdysen er centreret over den grå ring og placeret fladt på luftventilen. Giv den et mellemhårdt tryk.
Luft blev fjernet fra posen, men nu er der luft i posen igen.	<ul style="list-style-type: none">• Undersøg posens lynlås og ventil. Madrester i lynlåsen eller ventilen kan forårsage lækage, så der trænger luft ind.• Nogle gange forhindrer fugt eller madvarer langs lynlåsens forseglede kanter eller under ventilen, at posen forsegles korrekt. Tør indersiden af posen omkring lynlåsen og under ventilen, og prøv at forsegle igen.• Hvis du vakuumpakker skarpe fødevarer, er posen måske punkteret. Hvis der er hul i posen, skal du bruge en ny. Dæk skarpe fødevarer med et blødt materiale, som et stykke køkkenrulle, og forsegl det igen.
Der skabes ikke vakuum i FoodSaver™-opbevaringsboksen.	<ul style="list-style-type: none">• Sørg for, at gummipakningen på indersiden af låget er fri for madvarer og sidder korrekt.• Undersøg, om der er revner eller ridser i opbevaringsboksens kant. Huller kan forhindre, at der skabes vakuum i opbevaringsboksen. Sørg for, at opbevaringsboksens vakuumentil er ren.• Sørg for, at opbevaringsboksens låg er lukket korrekt i alle 4 hjørner; fjern låget, og tryk det på igen.
LED-lampen på apparatet blinker rødt.	<ul style="list-style-type: none">• Dette indikerer, at apparatet ikke har forsejlet opbevaringsboksen eller posen korrekt. Hæv vakuumhovedet og sørg for, at opbevaringsboksen eller posen er lukket korrekt.• Sørg for, at væskebeholderen er ren og korrekt monteret, så der ikke er utætheder.• Træk vakuumhovedet ned, og tryk det fast på ventilen på opbevaringsboksen eller posen, og tryk derefter på knappen Start. Vakuumprocessen bør ikke vare længere end 1 minut.
LED-lampen på apparatet blinker grønt.	<ul style="list-style-type: none">• Dette indikerer, at ventilen på opbevaringsboksen eller posen ikke er fastgjort korrekt på vakuumhovedet. Træk vakuumhovedet ned, og tryk det fast på ventilen på opbevaringsboksen eller posen, og tryk derefter på knappen Start.

Stell og rengjøring

Tag altid apparatets ledning ud af stikkontakten inden rengjøring.

Tør apparatet over med en blød, tør klud.

Skub vandbeholderen ud efter hver brug for at fjerne fugten. Tag vandbeholderen ud ved at holde på den med to fingre og trække ned fra vakuumphovedet. Vask den med varmt sæbevand, og lad den lufttørre, indtil den er helt tør.

Pakningen på vandbeholderen kan også tages ud til rengjøring. Vask den med varmt sæbevand, og lad den tørre helt, inden den monteres igen.

Kontroller, at vakuumporten er fri for madrester. Tør efter med en blød, tør klud.

Oppbevaring

Sørg for, at apparatet er rengjort og opbevares opretstående på en flad, jævn overflade, på afstand af en kant og hvor det ikke nemt kan væltes.

Garanti

Gem venligst din kvittering, da den skal fremvises ved fremsættelse af eventuelle krav i forbindelse med garantien.

Dette udstyr er omfattet af garantien i to år efter købet, sådan som det er beskrevet i dette dokument.

Hvis udstyret i løbet af denne garantiperiode mod forventning skulle holde op med at fungere på grund af design- eller produktionsfejl, skal du returnere det til købsstedet sammen med købskvitteringen og en kopi af dette garantibevis.

Rettighederne og fordelene ifølge denne garanti er et supplement til dine lovbestemte rettigheder, som ikke bliver påvirket af denne garanti. Kun Jarden Consumer Solutions (Europe) LIMITED ("JCS (Europe)") har ret til at ændre disse betingelser.

I garantiperioden varetager JCS (Europe) at reparere eller udskifte udstyret eller enhver del af udstyret, som ikke fungerer korrekt, uden krav om betaling, forudsat at:

- du straks underretter købsstedet eller JCS (Europe) om problemet og
- udstyret ikke er blevet ændret på nogen måde eller udsat for beskadigelse, forkert brug, misbrug, reparation eller ændringer, der er foretaget af en person, der ikke er autoriseret af JCS (Europe).

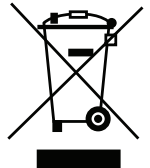
Fejl, der opstår på grund af forkert brug, beskadigelse, misbrug, anvendelse af forkert spænding, naturfænomener, hændelser uden for JCS (Europe)s kontrol, reparation eller ændringer, der er foretaget af en person, der ikke er autoriseret af JCS (Europe), eller manglende overholdelse af brugsanvisningerne er ikke dækket af garantien.

Derudover dækkes normalt slid, herunder men ikke begrænset til mindre misfarvning eller ridser, ikke af denne garanti. Rettighederne ifølge denne garanti gælder kun for den oprindelige køber og omfatter ikke kommerciel eller kommunal anvendelse.

Hvis dit udstyr er omfattet af en garanti eller et garantibevis, der kun gælder for det pågældende land, skal du referere til vilkårene og betingelserne for en sådan garanti/et sådant garantibevis i stedet for denne garanti eller kontakte din lokale forhandler for at få flere oplysninger.

Brugte elektriske produkter må ikke bortskaffes sammen med husholdningsaffaldet. Benyt venligst en genbrugsordning, hvis en sådan findes. Send en e-mail til os på enquiriesEurope@jardencs.com for at få yderligere oplysninger om genbrug og WEEE.

Jarden Consumer Solutions (Europe) Limited
5400 Lakeside
Cheadle Royal Business Park
Cheadle
SK8 3GQ
United Kingdom



Viktige Sikkerhetsinstruksjoner

Dette produktet kan brukes av barn fra 8 år og oppover og personer med reduserte fysiske, sensoriske eller mentale evner eller manglende erfaring og kunnskap hvis de er under oppsyn eller er gitt instruksjoner om bruk på en trygg måte og forstår farene involvert. Barn skal ikke leke med produktet. Rengjøring og vedlikehold skal ikke foretas av barn uten oppsyn.

Hvis tilførselsslengen er skadet må den erstattes av produsenten, en servicetekniker eller lignende kvalifisert person for å unngå skade.

- Bruk alltid apparatet på en stabil, sikker, tørr og jevn overflate.
- **FORSIKTIG: DETTE APPARATET ER IKKE FOR KOMMERSIELT BRUK.** Bruk aldri dette apparatet til noe annet enn tiltenkt bruk. Dette apparatet er kun for husholdningsbruk. Ikke bruk apparatet utendørs.
- Dypp aldri noen del av apparatet eller strømkabelen i vann eller annen væske.
- Ikke bruk apparatet hvis det har falt i gulvet eller hvis det har synlige tegn på skader.
- Sørg for at apparatet er slått av og frakoblet strømmettet etter bruk, før rengjøring.
- Ta støpselet ut av stikkkontakten for å koble fra. Trekk ikke i ledningen når du tar ut støpselet.
- Ikke bruk en skjøteldening sammen med apparatet.
- Bruk kun tilbehør eller utstyr som er anbefalt av produsenten.

TA VARE PÅ DISSE INSTRUKSJONER

FoodSaver™-systemet

Hvorfor vakuumpakke?

Lufteksponering gjør at mat mister næringsverdi og smak, og kan også føre til fryseskader. I tillegg gjør luften mange bakterier, mugg- og gjærsopper i stand til å vokse. FoodSaver™ vakuumpakkingssystem fjerner luft og lukker smaken og kvaliteten inne. Du kan nå nyte fordelene av en vitenskapelig bevist matlagringsmetode, som holder maten fersk opptil fem ganger lengre.

FoodSaver™-systemet sparer tid og penger

- **Bruk mindre penger.** Med FoodSaver™-systemet kan du kjøpe inn stort eller på salg, og vakuumpakke maten din i passende porsjoner uten å måtte kaste mat.
- **Spar mer tid.** Lag mat for hele uken, forbered måltider og oppbevar dem i FoodSaver™-poser.
- **Mariner på minutter.** Vakuumpakking åpner opp porene i maten slik at du kan få den herlige marinerte smaken på bare 20 minutter i stedet for over natten.
- **Gjør det enkelt å ha selskap.** Lag signaturretten din og feriegodbitene dine på forhånd slik at du kan bruke tiden sammen med gjestene dine.
- **Nyt sesongvarer og spesialiteter.** Du kan holde matvarer som fort blir dårlige eller som du sjelden bruker ferske lengre.
- **Kontrollerte porsjoner for slanking.** Vakumpakk fornuftige porsjoner og skriv kalorier og/eller antall gram fett på posen.
- **Beskytt andre ting enn matvarer.** Hold camping- og båtutstyr tørt og organisert når du drar på tur. Beskytt polert sølv mot anløp gjennom å redusere kontakten med luft.

FoodSaver™ Tilbehør

Få mest mulig ut av FoodSaver™-apparatet ditt, med brukervennlige FoodSaver™-beholdere og -poser.

FoodSaver™-ferskhetsposer med glidelås

FoodSaver™-ferskhetsposer med glidelås har spesielle kanaler for å fjerne luft effektivt og enkelt. Flere lag holder oksygen og fuktighet effektivt ute.

FoodSaver™-ferskhetsbeholdere

FoodSaver™-ferskhetsbeholdere er enkle å bruke og ideelle for å vakuumpakke delikate matvarer, så som muffins og andre bakevarer, væsker og tørrvarer.

Bestilling

For å bestille FoodSaver™ poser, ruller og tilbehør, vennligst besøk www.foodsavereurope.com og velg din region.

Deler

Se fig. 1:

- | | |
|-------------------------------|----------------------|
| A Start-knapp | E Sokkel |
| B Klar-lys | F Vakuumport: |
| C Utløserknapper (x 2) | G Tank |
| D Plattform | H Vakuumtopp |

Bruk av oppbevaringssystemet for ferskmat

Vakuumpakking med FoodSaver™-ferskhetsbeholdere

Se fig. 2:

1. Plasser produktet som skal vakuumpakkes i beholderen. Sett på lokket. Trykk godt ned på alle hjørnene for å sikre at lokket er skikkelig tett.
2. Plasser beholderen på sokkelen. Bruk plattformen som rettesnor.
3. Trykk begge utløserknappene på vakuumtoppen for å justere høyden. Før vakuumtoppen ned på beholderens ventil, til den klikker på plass. Den grønne klar-lampen kommer på. Merk: Det grønne lyset tennes kun hvis vakuumtoppen har skikkelig kontakt med beholderventilen.
4. Trykk på Start-knappen for å starte vakuumpakkingen. Vakuuindikatoren på beholderen går inn når vakuumpakkingen starter. Ikke stopp prosessen. Apparatet stopper automatisk når beholderen er helt vakuumpakket.
5. Trykk begge utløserknappene på vakuumtoppen og løft den opp, fjern så den forseglede beholderen.

Du kan marinere mat raskt ved hjelp av FoodSaver™-ferskhetsbeholdere. Plasser maten i beholderen, dekk helt med favorittmarinaden din og trykk lokket godt på plass så det blir tett.

Du kan så følge trinn 2–5 av *Vakuumpakking med FoodSaver™-ferskhetsbeholdere*. La den vakuumpakkede maten stå i 20 minutter, for å la marinaden trenge helt gjennom maten.

Vakuumpakking med FoodSaver™-ferskhetsposer med glidelås

FoodSaver™-ferskhetsposer med glidelås må kun brukes for oppbevaring av ferske varer (i kjøleskap eller i spiskammer) og ikke i fryseren. Må ikke brukes til å vakuumpakke væsker.

Hvis du vakuumpakker mat med mye fuktighet, sørg for at væsken ikke når posens ventil, og sjekk og rengjør apparatets tank ved behov.

Se fig. 3:

1. Legg det som skal vakuumpakkes ned i posen. Plasser posen på sokkelen med plattformen som rettesnor, og plasser poseventilen riktig.
2. Trykk begge utløserknappene på vakuumtoppen for å justere høyden. Før vakuumtoppen ned på poseventilen til den klikker på plass. Den grønne klar-lampen kommer på. Merk: Det grønne lyset tennes kun hvis vakuumtoppen har skikkelig kontakt med poseventilen.
3. Trykk på Start-knappen for å starte vakuumpakkingen. Apparatet stopper automatisk når posen er helt vakuumpakket.
4. Trykk begge utløserknappene på vakuumtoppen for å løfte den opp, og fjern så den forseglede posen.

FoodSaver™-ferskhetsposer med glidelås – tips

- Unngå å overfylle; la det alltid være rom mellom posens innhold og glidelåsen. Dette gjør at pose materialet kan trekkes tett mot maten ved vakuumpakkingen.
- Husk å lukke glidelåsen før du setter posen inn i apparatet.
- Hvis du skal vakuumpakke ting med skarpe kanter (tørr spagetti, bestikk osv.), beskytt posen mot hulldannelse ved å pakke tingene inn i mykt materiale, for eksempel et papirhåndkle.

Oppbevaring, hint og tips

Vakuumpakking og matvaresikkerhet

Vakuumpakkingsprosessen forlenger levetiden til matvarer ved å fjerne mesteparten av luften fra den forseglede beholderen, og på denne måten redusere oksidasjonen som påvirker næringsverdi, smak og kvalitet generelt. Ved å fjerne luft kan man også begrense veksten av mikroorganismer, som kan føre til problemer under visse forhold.

For å bevare mat på en trygg måte er det meget viktig at du opprettholder lave temperaturer. Du kan begrense veksten av mikroorganismer signifikant ved temperaturer på 4 °C og lavere. Å fryse mat ved -17 °C dreper ikke mikroorganismer, men hindrer videre vekst. Hvis du skal lagre mat over lang tid må du alltid fryse mat som fort blir dårlig etter at den er vakuumpakket, og oppbevare den i kjøleskap etter tining. FoodSaver™-ferskhetsposer med glidelås må kun brukes for oppbevaring av ferske varer (i kjøleskap eller i spiskammer) og ikke i fryseren.

Det er viktig å merke seg at vakuumpakking IKKE er en erstatning for hermetisering, og kan ikke reversere nedbrytningen av matvarer. Det kan kun bremse kvalitetsendringen. Det er vanskelig å forutsi hvor lenge matvarer vil beholde smak av topp kvalitet, utseende og konsistens da dette er avhengig av matens alder og tilstand den dagen den ble vakuumpakket.

VIKTIG: Vakuumpakking er ikke en erstatning for nedkjøling eller frysing. All mat som kan bli dårlig og som krever nedkjøling må fremdeles oppbevares i kjøleskap eller fryser etter vakuumpakking. For å unngå sykdom må ikke poser brukes på nytt etter å ha lagret rått kjøtt, rå fisk eller mat med mye olje/fett.

Tine og varme opp vakuumpakket mat



Tining – tin alltid mat i kjøleskap eller i mikrobølgeovn — ikke tin mat som kan bli dårlig i romtemperatur.

For å varme opp mat som er i en FoodSaver™-ferskhetsbeholder i mikrobølgeovn, åpne vakuumentilen, men behold lokket på.

VIKTIG: FoodSaver™ Fresh Zipper Bags må ikke brukes til å varme opp eller tine mat i mikrobølgeovn.

Retningslinjer for klargjøring

Kjøtt



Storfekjøtt kan se mørkere ut etter vakuumpakking på grunn av at oksygen fjernes. Dette er ikke en indikasjon på at kjøttet er blitt dårlig.

Harde oster



Vakuumpakk osten hver gang du har brukt den, så holder den seg fersk. Når du er ferdig med osten, og vil vakuumpakke den igjen, er det bare å legge den tilbake i FoodSaver™-ferskhetsbeholderen eller -ferskhetsposen med glidelås, og vakuumpakke den på nytt.

VIKTIG: På grunn av risikoen for anaerobiske bakterier, skal myke oster aldri vakuumpakkes.

Grønnsaker



Grønnsaker må forvelles før vakuumpakking. Det stopper enzymet som kan føre til tap av smak, farge og konsistens.

For å forvelle grønnsaker, plasser dem i kokende vann eller i mikrobølgeovnen til de er kokte, men fremdeles harde. Hvor lang tid det tar å forvelle varierer. Fra 1 til 2 minutter for bladgrønnsaker og erter; 3 til 4 minutter for sukkererter, oppskåret squash eller brokkoli; 5 minutter for gulrøtter; og 7 til 11 minutter for maiskolbe.

Etter forvelling legg grønnsakene i kaldt vann for å stoppe kokeprosessen. Til slutt tørker du grønnsakene med et håndkle før vakuumpakking.

Merk: Noen matvarer (så som brokkoli, rosenkål, kål, blomkål, grønnkål, kålrot og bananer) avgir gasser naturlig under lagring. De må derfor etter forvelling oppbevares i fryseren.

Når grønnsaker skal frysas, er det best å forhåndsfryse dem i 1–2 timer, eller til de er stivfrosne. For å fryse grønnsaker i individuelle porsjoner, legg dem først på en bakeplate og spre dem ut slik at de ikke berører hverandre. Dette forhindrer at de fryser sammen i en klump. Når de er frosne, ta grønnsakene vekk fra bakeplaten og vakuumpakk dem i en FoodSaver™-ferskhetsbeholder. Etter vakuumpakking, legg grønnsakene tilbake i fryseren.

VIKTIG: På grunn av risikoen av anaerobiske bakterier, skal fersk sopp, løk og hvitløk aldri vakuumpakkes.

Bladgrønnsaker



Vask grønnsakene først og tørk dem deretter med et håndkle eller i en salatspinnebolle. Etter at de er tørket, plasser dem i en FoodSaver™-ferskhetsbeholder og vakuumpakk som normalt. Oppbevar i kjøleskap.

Frukt



Du kan også vakuumpakke porsjonspakker med frukt for baking, eller ferdig blandet så du kan lage en enkel fruktsalat året rundt. Ved oppbevaring i kjøleskap, anbefaler vi å bruke en FoodSaver™-ferskhetsbeholder.

Bakervarer



Når du skal vakuumpakke myke og luftige bakervarer, anbefaler vi å bruke en FoodSaver™-ferskhetsbeholder, slik at de holder på fasongen. Hvis du vil spare tid, lag kakedeig, paibunner, hele paier, eller bland sammen tørre ingrediensene på forhånd og vakuumpakk for senere bruk.

Kaffe og matvarer i pulverform



For å unngå at matpartikler suges inn i vakuumpumpen, kan du plassere et kaffefilter eller papirhåndkle på toppen av posen eller beholderen før vakuumpakking. Du kan også vakuumpakke mat som er i sin opprinnelige innpakning i en FoodSaver™-ferskhetspose med glidelås eller en FoodSaver™-ferskhetsbeholder.

Væsker



Før vakuumpakking av varme væsker i en FoodSaver™-ferskhetsbeholder, la dem kjøles ned til romtemperatur. Ved forsøk på å vakuumpakke varme væsker, kan vakuomet mistes.

Feilsøking

Problem	Løsning
Apparatets vakuumfunksjon suger ikke luften ut av FoodSaver™-ferskhetsposen med glidelås.	<ul style="list-style-type: none">• Sørg for at posen er lukket skikkelig.• Luftventilen ikke er på et flatt underlag. Omplasser posen slik at luftventilen ligger flatt på apparatets plattform, uten mat under.
Vakuumdysen og luftventilen har ikke kontakt.	<ul style="list-style-type: none">• Sjekk at vakuumdysen er midt på den grå sirkelen og ligger flatt på luftventilen. Trykk forsiktig.
Luften ble fjernet fra posen, men nå har det kommet luft inn på nytt.	<ul style="list-style-type: none">• Undersøk posens glidelås og ventil. Matrester i glidelåsen eller ventilen kan forårsake lekkasje og la luft sive inn.• Noen ganger kan fuktighet eller matstoff på tetningskanten til glidelåsen eller under ventilen, forhindre at posen tetter seg ordentlig. Tørk av innsiden av posen rundt glidelåsen godt og under ventilen, og prøv å vakuumpakke på nytt.• Hvis du vakuumpakker skarpe gjenstander, kan posen ha punktert. Bruk en ny pose hvis hull har oppstått. Pakk inn skarpe matvarer i et mykt materiale, for eksempel et papirhåndkle, og vakuumpakk på nytt.
FoodSaver™-ferskhetsbeholderen lar seg ikke vakuumpakke.	<ul style="list-style-type: none">• Pass på at gummipakningen på innsiden av lokket er fri for mat og godt på plass.• Undersøk kanten på beholderen for sprekker eller riper. Eventuelle åpninger gjør at beholderen ikke kan vakuumpakkes ordentlig. Sjekk at beholderens vakuumentil er ren.• Sjekk at lokket på beholderen er godt lukket i alle 4 hjørner; ta av lokket og trykk det på igjen.
LED-lyset på apparatet blinker rødt.	<ul style="list-style-type: none">• Dette indikerer at apparatet ikke har forseglet beholderen eller posen ordentlig. Hev vakuumtoppen og sørg for at beholderen eller posen er lukket ordentlig.• Sjekk at væsketanken er ren og montert korrekt, slik at det ikke oppstår noen luftlekkasjer.• Før vakuumtoppen ned og trykk den godt på ventilen til beholderen eller posen, og trykk på Start-knappen. Vakuumpakkingen skal ikke ta mer enn 1 minutt.
LED-lyset på apparatet blinker grønt.	<ul style="list-style-type: none">• Dette indikerer at ventilen til beholderen eller posen ikke er korrekt festet til vakuumtoppen. Før vakuumtoppen ned og trykk den godt på ventilen til beholderen eller posen, og trykk på Start-knappen.

Stell og rengjøring

Koble alltid apparatet fra strømmen før rengjøring.

Tørk over selve apparatet med en myk, tørr klut.

Ta ut tanken etter hver bruk, for å tørke opp all fuktighet. For å ta ut tanken, hold den med to fingre og trekk den ned fra vakuumpoppen. Vask i varmt såpevann og la lufttørke til helt tørt.

Pakningen på tanken kan også fjernes for rengjøring. Vask med varmt såpevann og la den tørke grundig før den settes tilbake.

Sjekk at vakuumporten er helt fri for matrester. Tørk med myk, tørr klut.

Oppbevaring

Sørg for at apparatet er rent og oppbevart stående på et flatt, jevnt underlag unna kanten, slik at den ikke risikerer å velte.

Garanti

Ta vare på kvitteringen da den kreves ved eventuelle garantikrav.

Dette apparatet har en garanti på to år etter kjøpsdato, som beskrevet i dette dokumentet.

Om apparatet slutter å fungere i løpet av garantiperioden på grunn av en design- eller produksjonsfeil, ta apparatet tilbake til kjøpsstedet sammen med kvitteringen og en kopi av denne garantien.

Rettighetene og fordelene under denne garantien er i tillegg til dine lovfestede rettigheter, som ikke påvirkes av denne garantien. Det er bare Jarden Consumer Solutions (Europe) Limited (JCS (Europe)) som har rett til å endre disse vilkårene.

JCS (Europe) påtar seg, i garantiperioden, å reparere eller erstatte apparatet eller noen del av apparatet som ikke fungerer som det skal, kostnadsfritt, gitt at:

- du raskt gir beskjed til kjøpsstedet eller JCS (Europe) om problemet, og
- apparatet ikke har blitt endret på noen måte eller utsatt for skade, feil bruk, misbruk, reparasjoner eller ombygging utført av noen andre enn personer autorisert av JCS (Europe).

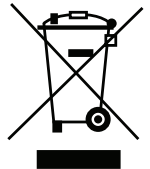
Feil som inntreffer på grunn av feil bruk, skade, misbruk, bruk med feil spenning, naturulykker, hendelser utenfor JCS (Europe) sin kontroll, reparasjoner eller ombygging utført av noen andre enn personer autorisert av JCS (Europe) eller unnlatelse å følge bruksinstruksjonene, dekkes ikke av denne garantien.

I tillegg dekkes ikke normal slitasje, inkludert, men ikke begrenset til, mindre misfarging og skraper, av denne garantien.

Rettighetene under denne garantien skal kun gjelde for den opprinnelige kjøperen, og skal ikke utvides til kommersielt eller offentlig bruk. Hvis apparatet ditt inkluderer et landsspesifikt garantiark, se vilkårene i en slik garanti i stedet for denne garantien, eller ta kontakt med din lokale autoriserte forhandler for mer informasjon.

Elektriske produkter skal ikke avhendes sammen med husholdningsavfall. Lever elektriske produkter ved egnede anlegg. Send oss en e-post på enquiriesEurope@jardencs.com for mer informasjon om resirkulering og WEEE.

Jarden Consumer Solutions (Europe) Limited
5400 Lakeside
Cheadle Royal Business Park
Cheadle
SK8 3GQ
United Kingdom



WAŻNE ZASADY BEZPIECZEŃSTWA

Urządzenie to może być używane przez dzieci od 8. roku życia oraz osoby o ograniczonej sprawności fizycznej, czuciowej lub psychicznej lub osoby niemające doświadczenia ani wiedzy, pod warunkiem że korzystają z urządzenia pod nadzorem lub zostały poinstruowane odnośnie do bezpiecznego używania urządzenia oraz mają świadomość ryzyka związanego z jego użytkowaniem. Dzieci nie powinny bawić się urządzeniem. Dzieci nie powinny czyścić ani konserwować urządzenia bez nadzoru.

W celu uniknięcia zagrożenia uszkodzony przewód zasilający może być wymieniony jedynie przez producenta, autoryzowany serwis lub wykwalifikowaną osobę.

- Urządzenia należy używać tylko na stabilnej, bezpiecznej, suchej i równej powierzchni.
- UWAGA: TO URZĄDZENIE NIE JEST PRZEZNACZONE DO UŻYTKU KOMERCYJNEGO. Urządzenie przeznaczone jest wyłącznie do użytku domowego. Nie należy używać tego urządzenia na zewnątrz.
- Nie wolno zanurzać żadnej części urządzenia lub przewodu zasilającego w wtyczką w wodzie lub innej cieczy.
- Nie używać urządzenia jeśli zostało upuszczone lub jeśli nosi widoczne ślady uszkodzenia.
- Przed czyszczeniem upewnij się, że urządzenie jest wyłączone i odłączone od gniazdka zasilania.
- Aby wyłączyć urządzenie, należy odłączyć przewód zasilający z gniazdka elektrycznego. Nie należy odłączać ciągnąc za przewód.
- Z urządzeniem nie należy używać przedłużacza.
- Należy używać tylko akcesoriów lub osprzętów zalecanych przez producenta.

NALEŻY ZACHOWAĆ INSTRUKCJE

System pakowania próżniowego FoodSaver™

Dlaczego pakowanie próżniowe?

Tlen i wilgoć sprawiają, że żywność traci smak i z czasem się psuje. Konwencjonalne metody przechowywania żywności zamykają produkty spożywcze razem z powietrzem, pozwalając na powstanie wielu bakterii, pleśni i drożdży. System FoodSaver został zaprojektowany w taki sposób by usunąć powietrze ze specjalnie zaprojektowanych woreczków, pojemników i folii tak aby żywność zamknięta była w próżni. Poprzez usunięcie powietrza produkty spożywcze zachowują swój smak, kolor i świeżość na dużo dłużej.

System FoodSaver™ to oszczędność czasu i pieniędzy.

- Pozwala wydawać mniej pieniędzy. Dzięki systemowi FoodSaver można kupić więcej żywności i przechowywać ją w próżniowym opakowaniu, w pożądanej ilości porcji, bez jej marnowania.
- Zaoszczędź więcej czasu. Gotuj z wyprzedzeniem na cały tydzień, przygotowane posiłki zapakuj i zapisz datę przygotowania na workach FoodSaver.
- Marynata w ciągu kilku minut. Pakowanie próżniowe otwiera porcję jedzenia, więc można uzyskać wspaniały smak marynowania w ciągu zaledwie 20 minut, a nie całej nocy.
- Łatwe pakowanie. Zapisz datę przygotowania na worku i miej przygotowane posiłki z wyprzedzeniem, dzięki czemu spędzisz czas ze swoimi gośćmi.
- Ciesz się dłużej świeżymi, sezonowymi produktami spożywczymi, bardzo nietrwałymi lub rzadko używanymi.
- Kontroluj wielkość porcji dla utrzymania diety. Pakuj próżniowo rozsądne porcje i zapisz liczbę kalorii i / lub gramów tłuszczu na worku.
- Chroni elementy nieżywnościowe. Przechowuj bezpiecznie przedmioty/dokumenty na kempingu lub łodzi. Chroni polerowane srebra przed matowieniem poprzez zminimalizowanie ekspozycji na powietrze.

Akcesoria FoodSaver™

Aby maksymalnie wykorzystać urządzenie FoodSaver™, stosuj pojemniki i torebki FoodSaver™.

Torebki strunowe FoodSaver™ Fresh

Torebki strunowe FoodSaver™ Fresh mają specjalne kanały, które umożliwiają efektywne odprowadzanie powietrza. Wielowarstwowa konstrukcja tworzy efektywną barierę dla tlenu i wilgoci.

Pojemniki FoodSaver™ Fresh

Pojemniki FoodSaver™ Fresh są proste w użyciu i doskonale nadają się do pakowania próżniowego delikatnych produktów, takich jak wypieki, płyny i artykuły sypkie.

Zamówienia

Aby zamówić torebki, rolki i akcesoria FoodSaver™, odwiedź witrynę www.foodsavereurope.com i wybierz region.

Części

Patrz rysunek 1:

- | | |
|-----------------------------------|----------------------------|
| A Przycisk Start | E Podstawa |
| B Kontrolka gotowości | F Przyłącze próżni |
| C Przycisk zwalniania (x2) | G Zbiornik |
| D Platforma | H Głowica próżniowa |

Korzystanie z systemu przechowywania świeżej żywności

Pakowanie próżniowe przy użyciu pojemników FoodSaver™ Fresh

Patrz rysunek 2:

- Włóż do pojemnika przedmiot, który chcesz zapakować próżniowo. Załóż pokrywkę na dolną część pojemnika. Mocno naciśnij wszystkie narożniki, aby szczelnie go zamknąć.
- Umieść go na podstawie przy użyciu platformy jako przewodnicy.
- Naciśnij oba przyciski zwalniania na głowicy próżniowej, aby wyregulować jej wysokość. Ustawiaj głowicę próżniową na zaworze pojemnika, aż usłyszysz kliknięcie. Zapali się zielona kontrolka gotowości.
Uwaga: Zielona kontrolka na głowicy próżniowej zapali się tylko wówczas, gdy będzie ona ściśle przylegać do zaworu pojemnika.
- Naciśnij przycisk Start, aby rozpocząć proces usuwania powietrza. Wskaźnik próżni na pojemniku zostanie zassany do środka na początku procesu. Nie przerywaj procesu. Gdy pojemnik zostanie całkowicie zamknięty próżniowo, urządzenie zatrzyma się automatycznie.
- Naciśnij oba przyciski zwalnijające na głowicy próżniowej, aby ją podnieść, a następnie wyjmij zamknięty pojemnik.

Pojemniki FoodSaver™ Fresh można wykorzystywać do marynowania żywności. Umieść w nim żywność, całkowicie pokryj ulubioną marynatą, a następnie mocno naciśnij pokrywkę, aby zamknąć pojemnik.

Następnie wykonaj kroki 2–5 z rozdziału *Pakowanie próżniowe przy użyciu pojemników FoodSaver™ Fresh*. Pozostaw żywność zapakowaną próżniowo na 20 minut, aby marynata przeniknęła do produktu.

Pakowanie próżniowe przy użyciu torebek strunowych FoodSaver™ Fresh

Torebek strunowych FoodSaver™ Fresh można używać wyłącznie do przechowywania świeżej żywności (w lodówce lub spiżarni) — nie nadają się one do przechowywania w zamrażarce. Nie należy pakować próżniowo płynów.

W przypadku pakowania próżniowo wilgotnych produktów, należy upewnić się, że wilgoć nie sięga zaworu torebki strunowej, oraz sprawdzić i w razie potrzeby wyczyścić zbiornik urządzenia.

Patrz rysunek 3:

- Włóż do torebki produkt, który chcesz zapakować. Umieść torebkę na podstawie przy użyciu platformy jako przewodnicy i wyrównaj zawór torebki.
- Naciśnij oba przyciski zwalniania na głowicy próżniowej, aby wyregulować jej wysokość. Ustawiaj głowicę próżniową na zaworze torebki, aż usłyszysz kliknięcie. Zapali się zielona kontrolka gotowości.
Uwaga: Zielona kontrolka na głowicy zapali się tylko wówczas, gdy będzie ona ściśle przylegać do zaworu torebki.
- Naciśnij przycisk Start, aby rozpocząć proces usuwania powietrza. Gdy torebka zostanie całkowicie zamknięta próżniowo, urządzenie zatrzyma się automatycznie.
- Naciśnij oba przyciski zwalnijające na głowicy próżniowej, aby ją podnieść, a następnie wyjmij zamkniętą torebkę.

Torebki strunowe FoodSaver™ Fresh — wskazówki użytkowania

- Nie wkładaj do torebek zbyt dużej ilości żywności — między zawartością a zamknięciem strunowym należy zawsze zostawić wolną przestrzeń. Dzięki temu materiał torebki będzie ściśle przylegać do produktów.
- Przed umieszczeniem torebki w urządzeniu należy przesunąć palcami wzdłuż zamknięcia strunowego, aby ją dobrze zamknąć.
- W przypadku pakowania próżniowo przedmiotów z ostrymi krawędziami (suchy makaron, srebrne sztucce itp.) należy chronić torebki przed przebicciem, owijając pakowane przedmioty miękkim materiałem, np. ręcznikiem kuchennym.

Przechowywanie, porady i wskazówki

Pakowanie próżniowe i bezpieczeństwo żywności Proces pakowania próżniowego przedłuża trwałość żywności usuwając większość powietrza ze szczelnie zamkniętego pojemnika, a tym samym zmniejszając utlenianie się, które ma wpływ na wartości odżywcze, smak żywności i ogólną jakość. Usuwanie powietrza może również hamować rozwój mikroorganizmów, które mogą powodować problemy pod pewnymi warunkami:

Aby przechowywać żywność bezpiecznie, bardzo ważne jest, aby utrzymać niską temperaturę. Można znacznie ograniczyć rozwój mikroorganizmów w temperaturze 4° C lub poniżej. Zamrażanie w -17° C nie zabija mikroorganizmów, ale zatrzymuje ich wzrost. Do długotrwałego przechowywania, należy zawsze zamrozić łatwo psującą się żywność, która była pakowana próżniowo i przechowywać w lodówce po rozmrożeniu.

Ważne jest, aby pamiętać, że pakowanie próżniowe nie jest substytutem dla konserw i nie może odwrócić procesu pogorszenia się żywności. Można tylko spowolnić zmiany jakości żywności. Trudno jest przewidzieć, jak długo żywność zachowa najwyższej jakości smak, wygląd lub strukturę, ponieważ zależy to od wieku i stanu żywności w dniu w którym była pakowana próżniowo.

WAŻNE: Pakowanie próżniowe nie jest substytutem dla chłodzenia lub zamrażania. Wszelkie łatwo psujące się produkty, które wymagają chłodzenia, muszą nadal być przechowywane w lodówce lub zamrożone po pakowaniu próżniowym. Aby uniknąć ewentualnej choroby, nie używać ponownie toreb po przechowywaniu surowego mięsa, surowych ryb lub tłustych potraw.

Rozmrażanie i ponowne podgrzewanie pakowanego pożywienia



Żywność należy zawsze rozmrażać w lodówce lub kuchence mikrofalowej. Nie rozmrażać nietrwalej żywności w temperaturze pokojowej.

Aby rozmrozić żywność w kuchence mikrofalowej w pojemniku FoodSaver™ Fresh, należy otworzyć zawór próżniowy i pozostawić założoną pokrywkę.

UWAGA! Woreczki strunowe FoodSaver™ nie powinny być używane do podgrzewania lub rozmrażania potraw w kuchence mikrofalowej.

Wskazówki dotyczące przygotowania

Mięso



Ze względu na brak tlenu wołowina może zmienić kolor na ciemniejszy po zapakowaniu próżniowym. Nie jest to oznaka zepsucia.

Sery twarde



Aby zachować świeżość sera, zapakuj go próżniowo po każdym użyciu. Aby ponownie zapakować ser, po prostu włóż go do pojemnika lub torebki próżniowej FoodSaver™ i powtórz czynności pakowania.

WAŻNE: Ze względu na ryzyko rozwoju bakterii beztlenowych nigdy nie należy pakować próżniowo serów miękkich.

Warzywa



Przed zapakowaniem próżniowym warzywa należy zblanszować. Proces ten zatrzymuje rozwój enzymów mogący prowadzić do utraty smaku, koloru i konsystencji.

Aby zblanszować warzywa, umieść je we wrzącej wodzie lub w kuchence mikrofalowej, aż będą ugotowane, ale wciąż chrupiące. Czas blanszowania waha się od 1 do 2 min w przypadku warzyw liściastych i groszku, 3–4 min w przypadku groszku cukrowego, plasterków cukinii lub brokułów, 5 min w przypadku marchwi i 7–11 min w przypadku kolb kukurydzy.

Po blanszowaniu zanurz warzywa w zimnej wodzie, aby zatrzymać proces gotowania. Na koniec osusz warzywa na ręczniku przed zapakowaniem próżniowym.

Uwaga: Niektóre produkty (m.in. brokuły, brukselka, kapusta, kalafior, jarmuż, rzepa i banany) w naturalny sposób wydzielają gazy podczas przechowywania. Z tego powodu po zblanszowaniu należy je przechowywać wyłącznie w zamrażarce.

Podczas mrożenia warzyw najlepiej zamrozić je wstępnie przez 1–2 godz. lub do momentu całkowitego zamrożenia. Aby zamrozić warzywa w pojedynczych porcjach, należy najpierw umieścić je na papierze do pieczenia i rozsunąć tak, aby się nie stykały. Dzięki temu nie zostaną zamrożone w jednym bloku. Po zamrożeniu należy usunąć papier do pieczenia i zapakować warzywa próżniowo w pojemniku FoodSaver™ Fresh. Następnie umieścić warzywa w zamrażarce.

WAŻNE: Ze względu na ryzyko rozwoju bakterii beztlenowych nigdy nie należy pakować próżniowo świeżych grzybów, cebuli ani czosnku.

Warzywa liściowe



Umyj warzywa, a następnie osusz je ściereczką lub w suszarce do sałaty. Po wysuszeniu włóż warzywa do pojemnika FoodSaver™ Fresh i normalnie zapakuj próżniowo. Przechowuj w lodówce.

Owoce



Możesz zapakować próżniowo porcje do pieczenia lub ulubioną mieszankę, aby przez cały rok przygotowywać sałatki owocowe. W przypadku przechowywania w lodówce zalecamy stosowanie pojemnika FoodSaver™ Fresh.

Wypieki



Do pakowania próżniowego miękkich lub puszystych wypieków zalecamy pojemnik FoodSaver™ Fresh, co pozwoli zachować ich kształt. Aby oszczędzić czas, możesz wcześniej przyrządzić ciasto na ciasteczka, foremki na babeczki, całe babeczki lub mieszanki suchych składników i zapakować je próżniowo do późniejszego wykorzystania.

Kawa i produkty sproszkowane



Aby zapobiec wciągnięciu cząsteczek pożywienia do pompy próżniowej, umieść filtr do kawy lub papierowy ręcznik na torebce lub pojemniku przed zapakowaniem próżniowym. Można także umieścić żywność w oryginalnym opakowaniu w torebce strunowej FoodSaver™ Fresh lub wykorzystać do zapakowania próżniowego pojemnik FoodSaver™ Fresh.

Płyny



Przed zapakowaniem próżniowym płynu w pojemniku FoodSaver™ Fresh należy poczekać, aż ostygnie do temperatury pokojowej. Pakowanie próżniowe gorących płynów może skutkować utratą próżni.

Rozwiązywanie problemów

Problem	Rozwiązanie
Urządzenie nie odsysa powietrza z torebki strunowej FoodSaver™ Fresh.	<ul style="list-style-type: none">• Sprawdź, czy torebka jest szczelnie zamknięta.• Zawór próżniowy nie znajduje się na płaskiej powierzchni. Zmień położenie torebki, aby zawór próżniowy spoczywał płasko na platformie urządzenia, bez żywności pod spodem.
Dysza próżniowa i zawór powietrza nie stykają się ze sobą.	<ul style="list-style-type: none">• Sprawdź, czy dysza próżniowa jest ustawiona nad środkiem na szarym kółkiem i spoczywa płasko na zaworze próżniowym. Zastosuj średni nacisk.
Powietrze zostało usunięte z torebki, ale dostało się do niej ponownie.	<ul style="list-style-type: none">• Sprawdź zamknięcie strunowe i zawór torebki. Resztki żywności na zamknięciu strunowym lub zaworze mogą spowodować wyciek i umożliwić napływ powietrza.• Czasami wilgoć lub żywność wzdłuż krawędzi zamknięcia strunowego lub pod zaworem uniemożliwia prawidłowe zapakowanie. Wytrzyj wewnątrz torebki wokół zamknięcia strunowego oraz pod zaworem i spróbuj zapakować żywność ponownie.• W przypadku pakowania próżniowo żywności z ostrymi krawędziami torebka może ulec przebicciu. Jeśli w torebce jest dziura, użyj nowej. Owiń żywność miękkim materiałem, np. ręcznikiem kuchennym, i zapakuj ponownie.
Nie można uzyskać próżni w pojemniku FoodSaver™ Fresh.	<ul style="list-style-type: none">• Sprawdź, czy na gumowej uszczelce wewnątrz pokrywy nie ma resztek żywności i czy jest ona szczelnie założona.• Sprawdź, czy na brzegu pojemnika nie ma wyszczerbień lub zarysowań. Jakiegokolwiek szczyliny uniemożliwiają zapakowanie próżniowe. Sprawdź, czy zawór próżniowy pojemnika jest czysty.• Sprawdź, czy pokrywka pojemnika jest dokładnie zamknięta na wszystkich czterech rogach; zdejmij pokrywkę i dociśnij ją ponownie.
Kontrolka na urządzeniu miga na czerwono.	<ul style="list-style-type: none">• Wskazuje, że nie udało się zamknąć się szczelnie zamknąć pojemnika lub torebki. Podnieś głowicę próżniową i sprawdź, czy pojemnik lub torebka są prawidłowo zamknięte.• Sprawdź, czy zbiornik na płyn jest czysty i prawidłowo zamocowany oraz czy nie ma żadnych wycieków.• Opuść głowicę próżniową i dociśnij mocno do zaworu pojemnika lub torebki, a następnie naciśnij przycisk Start. Proces pakowania próżniowego nie powinien trwać dłużej niż 1 minutę.
Kontrolka na urządzeniu miga na zielono.	<ul style="list-style-type: none">• Wskazuje to, że zawór pojemnika lub torebki nie jest prawidłowo zamocowany do głowicy próżniowej. Opuść głowicę próżniową i dociśnij mocno do zaworu pojemnika lub torebki, a następnie naciśnij przycisk Start.

Konserwacja i czyszczenie

Zawsze odłączaj urządzenie od gniazdka przed czyszczeniem.

Przetrzyj obudowę urządzenia miękką, suchą szmatką.

Po każdym użyciu wysuń zbiornik, aby usunąć z niego wilgoć. Aby wyjąć zbiornik, przytrzymaj go dwoma palcami i pociągnij w dół z głowicy próżniowej. Umyj ciepłą wodą z detergentem i pozostaw do całkowitego wyschnięcia.

Można także wyjąć do umycia uszczelkę na zbiorniku. Umyj ją ciepłą wodą z detergentem i pozostaw do całkowitego wyschnięcia przed ponownym włożeniem.

Sprawdź, czy na zaworze próżniowym nie znajdują się resztki żywności. Wytrzyj do sucha miękką, suchą szmatką.

Przechowywanie

Po sprawdzeniu, czy urządzenie jest czyste, przechowuj je pionowo na płaskiej, poziomej powierzchni, z dala od krawędzi blatu, tak aby nie można go było łatwo przewrócić.

Gwarancja

Zachowaj dowód zakupu, ponieważ będzie on wymagany w przypadku jakichkolwiek roszczeń z tytułu niniejszej gwarancji.

Urządzenie jest objęte 2-letnią gwarancją obowiązującą od dnia dokonania zakupu, zgodnie z opisem w niniejszym dokumencie.

Jeśli podczas trwania gwarancji okaże się, co jest mało prawdopodobne, że urządzenie nie działa z powodu wad projektowych lub produkcyjnych, należy je przynieść do miejsca dokonania zakupu wraz z dowodem zakupu oraz egzemplarzem niniejszej gwarancji.

Prawa i korzyści wynikające z niniejszej gwarancji stanowią dodatek do praw ustawowych, których niniejsza gwarancja nie narusza. Prawo do zmiany warunków gwarancji ma wyłącznie Jarden Consumer Solutions (Europe) Ltd. („JCS (Europe)”).

JCS (Europe) zobowiązuje się do bezpłatnej naprawy lub wymiany urządzenia lub jego niedziałającej części w okresie objętym gwarancją, pod warunkiem że:

- klient niezwłocznie poinformuje o problemie sklep, w którym dokonał zakupu lub JCS (Europe)
- urządzenie nie zostało w żaden sposób zmienione, uszkodzone, użytkowane w niewłaściwy sposób, ani nie było naprawiane lub zmieniane przez osobę nieupoważnioną przez JCS (Europe).

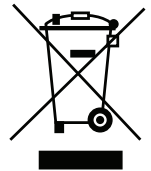
Gwarancją nie są objęte usterki wynikające z nieprawidłowego użytkowania, uszkodzenia, używania nieprawidłowego napięcia, zdarzeń losowych, zdarzeń niezależnych od JCS (Europe), naprawy lub wymiany przez osobę nieupoważnioną przez JCS (Europe) lub z powodu niestosowania się do instrukcji obsługi. Ponadto gwarancja nie obejmuje naturalnego zużycia eksploatacyjnego, w tym m.in. drobnych przebarwień i zarysowań.

W ramach niniejszej gwarancji prawa przysługują wyłącznie nabywcy urządzenia i nie rozciągają się na użytkowanie komercyjne lub wspólne.

Jeśli urządzenie objęte jest gwarancją lub rękojmią obowiązującą w danym kraju, należy uznać, że zawarte w nich warunki są nadrzędne w stosunku do niniejszej gwarancji lub skontaktować się z lokalnym autoryzowanym sprzedawcą, aby uzyskać więcej informacji.

Nie należy wyrzucać zużytych artykułów elektrycznych razem z odpadami domowymi. Należy je, w miarę możliwości, poddać recyklingowi. W celu uzyskania szczegółowych informacji na temat recyklingu lub dyrektywy WEEE, skontaktuj się z nami pod adresem enquiriesEurope@jardencs.com.

Jarden Consumer Solutions (Europe) Limited
5400 Lakeside
Cheadle Royal Business Park
Cheadle
SK8 3GQ
United Kingdom



Důležitá bezpečnostní opatření

Toto zařízení mohou používat děti od 8 let, osoby s tělesným, senzoryckým a mentálním hendikepem a nezkušení uživatelé za předpokladu, že budou pod dohledem nebo poučení o bezpečném použití zařízení a rizicích souvisejících s jeho používáním, a tomuto poučení porozumí. Děti si nesmí se zařízením hrát. Děti smí provádět údržbu zařízení pouze pod dohledem.

Je-li napájecí kabel poškozen, je nutné, aby jeho výměnu provedl výrobce, jeho servisní zástupce nebo obdobně kvalifikovaná osoba, aby nedošlo k ohrožení.

- Zařízení vždy používejte na stabilním, bezpečném, suchém a rovném povrchu.
- **POZOR: TOTO ZAŘÍZENÍ NENÍ URČENO PRO KOMERČNÍ POUŽITÍ.** Nikdy nepoužívejte toto zařízení k jinému účelu, než k jakému je určeno. Toto zařízení je určeno pouze pro domácí použití. Nepoužívejte toto zařízení venku.
- Nikdy neponořujte jakoukoli část zařízení, napájecí kabel nebo zástrčku do vody či jiné tekutiny.
- Pokud na zařízení v důsledku pádu upozorujete poškození, přestaňte zařízení používat.
- Po použití a před čištěním zařízení se ujistěte, že je zařízení vypnuté a není zapojeno do zásuvky.
- Chcete-li vakuovačku odpojit od přívodu elektrické energie, vytáhněte napájecí kabel ze zásuvky. Zařízení neodpojujte škubnutím za kabel, ale opatrným vytažením zástrčky ze zásuvky.
- Nepoužívejte prodlužovací šňůry.
- Používejte pouze příslušenství a doplňky doporučené výrobcem.

TENTO NÁVOD K POUŽITÍ PEČLIVĚ USCHOVEJTE

Vakuová balička FoodSaver™

Proč vakuovat?

Když přicházejí potraviny do styku se vzduchem, ztrácejí nutriční hodnoty a chuť. Navíc se stávají živnou půdou pro rozličné typy bakterií, plísní a kvasinek. Vakuová balička FoodSaver™ odstraňuje vzduch a uchovává původní kvalitu a chuť vašich potravin. Nyní i vy můžete využívat výhod této vědecky prokázané metody skladování potravin, jež uchová vaše potraviny čerstvě až pětikrát déle.

Systém FoodSaver™ šetří čas i peníze

- **Neutrácejte, když nemusíte.** Díky systému FoodSaver™ můžete nakupovat ve velkém nebo ve výprodejích a vakuově zabalit potraviny po libovolně velkých porcích. Neplýtvajte jídlem!
- **Ušetřete si čas.** Navařte si na týden dopředu a uložte si jídlo do sáčků FoodSaver™.
- **Marinujte během pár minut.** Vakuové balení otevře póry v potravinách, takže dosáhnete výtečné marinované chuti již za 20 minut. Už nemusíte čekat celou noc.
- **Věnujte se hostům.** Připravte si své vyšperkované jídlo dopředu a místo toho, abyste stáli u plotny, se věnujte svým hostům.
- **Vychutnejte si sezónní jídla i speciality.** Uchovete zřídka používané ingredience nebo potraviny rychle podléhající zkáze déle čerstvě.
- **Kontrolujte porce při dietách.** Vakuově si zabalte odměřené porce a na sáčky napište množství kalorií a tuku.
- **Chraňte různé předměty.** Ochraňte vybavu na kempování nebo na loď před vlhkem a uspořádejte si věci na výlet. Stejně tak můžete ochránit leštěné stříbro před zmatněním, když minimalizujete jeho kontakt se vzduchem.

Příslušenství FoodSaver™

Poznejte obrovské přínosy vakuovačky FoodSaver™ se snadno použitelnými dózami a sáčky FoodSaver™.

ZIP sáčky FoodSaver™ Fresh

ZIP sáčky FoodSaver™ Fresh se vyznačují speciálními kanálky umožňujícími efektivní odvod vzduchu. Vícevrstvá konstrukce z nich činí obzvláště účinnou bariéru vůči kyslíku a vlhkosti.

Dózy FoodSaver™ Fresh

Dózy FoodSaver™ Fresh se snadno používají a jsou ideální pro vakuové balení křehkých potravin, jako jsou například muffiny či jiné pečivo, nebo tekutin a sušených potravin.

Jak objednat

Jestliže si chcete objednat sáčky, fólie a další příslušenství FoodSaver™, navštivte webovou stránku www.foodsavereurope.com a vyberte svou zemi.

Součásti

Viz obr. 1:

- | | |
|-------------------------------------|------------------------------|
| A Tlačítko Start | E Základna |
| B Kontrolka připravenosti | F Vakuovací otvor |
| C Tlačítko pro uvolnění (2×) | G Nádobka na tekutinu |
| D Platforma | H Vakuovací hlava |

Používání vakuovacího systému Fresh pro uchovávání potravin

Vakuové skladování potravin v dózách FoodSaver™ Fresh

Viz obr. 2:

1. Vložte do dózy potraviny nebo předmět, které chcete vakuově zabalit. Nasadte na dózu víko. Pevně zatlačte na všechny rohy, abyste se ujistili, že víko dobře těsní.
2. Položte dózu na základnu s využitím platformy jako ukazatele správné polohy.
3. Stiskněte obě tlačítka pro uvolnění vakuovací hlavy a upravte její výšku. Přitlačte vakuovací hlavu na ventil dózy tak, abyste uslyšeli cvaknutí. Rozsvítí se zelená kontrolka připravenosti. Poznámka: Zelená kontrolka se rozsvítí, pouze pokud je vakuovací hlava řádně nasazena na ventilu dózy.
4. Stisknutím tlačítka Start spustíte proces vakuování. Brzy po zahájení procesu vakuování zaskočí indikátor vakuování na dóze směrem dovnitř. Neukončujte proces v jeho průběhu. Zařízení automaticky ukončí proces, jakmile je dóza vakuově uzavřena.
5. Stiskněte obě tlačítka pro uvolnění vakuovací hlavy, zvedněte ji a vyjměte zavakuovanou dózu.

Dózy FoodSaver™ Fresh můžete použít také k rychlému marinování potravin. Vložte potraviny do dózy, celé je potřete svou oblíbenou marinádou a řádně upevněte víko.

Potom můžete provést kroky 2 až 5 uvedené v části *Vakuové skladování potravin v dózách FoodSaver™ Fresh*. Ponechejte vakuované potraviny v dóze asi 20 minut, aby marináda pronikla do potravin.

Vakuové skladování potravin v ZIP sáčcích FoodSaver™ Fresh

ZIP sáčky FoodSaver™ Fresh by se měly používat pouze pro skladování čerstvých potravin v chladničce nebo spízi. Sáčky nedávejte do mrazáku. Nepoužívejte je ani k vakuování tekutin.

Při vakuování vlhkých potravin se ujistěte, že tekutina nesahá k ventilu ZIP sáčku a v případě potřeby zkontrolujte a očistěte nádobku na tekutinu v zařízení.

Viz obr. 3:

1. Vložte do sáčku potraviny nebo předmět, které chcete vakuově zabalit. Položte sáček na základnu s využitím platformy jako ukazatele správné polohy ventilu sáčku.
2. Stiskněte obě tlačítka pro uvolnění vakuovací hlavy a upravte její výšku. Přitlačte vakuovací hlavu na ventil sáčku tak, abyste uslyšeli cvaknutí. Rozsvítí se zelená kontrolka připravenosti. Poznámka: Zelená kontrolka se rozsvítí, pouze pokud je vakuovací hlava řádně nasazena na ventilu sáčku.
3. Stisknutím tlačítka Start spustíte proces vakuování. Zařízení automaticky ukončí proces, jakmile je sáček vakuově uzavřen.
4. Stiskněte obě tlačítka pro uvolnění vakuovací hlavy, zvedněte ji a vyjměte vakuovaný sáček.

Tipy pro používání ZIP sáčků FoodSaver™ Fresh

- Nepřeplňujte sáček – vždy ponechejte prostor mezi obsahem sáčku a zipem. To umožní, aby materiál sáčku neprodyšně přiléhá k potravinám.
- Před položením sáčku na zařízení nezapomeňte přejet prsty přes zip, abyste sáček uzavřeli.
- Před vakuováním potravin či předmětů s ostrými hranami (špagety, příbory atd.) je zabalte do měkkého materiálu, jako je například papírová utěrka, abyste chránili sáček před propíchnutím.

Rady a tipy pro skladování

Vakuové balení a bezpečnost potravin

Při vakuovém balení se odsaje většina vzduchu z nádoby a tím se prodlouží životnost skladovaných potravin. Nedochází totiž k tak výrazné oxidaci, která negativně ovlivňuje nutriční hodnoty potravin, jejich aroma, chuť a celkovou kvalitu. Odstraněním vzduchu rovněž zpomalíte množení mikroorganismů, které by za určitých okolností mohly způsobit problémy.

Abyste bezpečně uchovali potraviny, musíte je skladovat při nízkých teplotách. Jestliže potraviny uchováte při teplotě 4 °C a nižší, výrazně tím omezíte množení mikroorganismů.

Při zmrazení na teplotu -17 °C mikroorganismy nezabijete, ale zastavíte jejich růst. Chcete-li potraviny podléhající zkáze uchovat na dlouhou dobu, vakuově je zabalte a zmrazte. Jakmile je později rozmrazíte, uchovávejte je v chladničce. ZIP sáčky FoodSaver™ Fresh by se měly používat pouze pro skladování čerstvých potravin v chladničce nebo spíží. Sáčky nedávejte do mrazáku.

Mějte na paměti, že vakuové balení NENAHAZUJE konzervování a nemůže zcela zamezit zkažení potravin. Pouze pomáhá zpomalit kvalitativní změny. Je těžké předvídat, jak dlouho si vakuované potraviny uchovají veškerou svou chuť, vzhled a strukturu, neboť to závisí na jejich stáří a stavu v den vakuového balení.

DŮLEŽITÉ: Vakuové balení NENAHAZUJE mrazení potravin ani jejich uchování v chladničce. Veškeré potraviny podléhající zkáze a vyžadující skladování v chladničce musíte po vakuovém zabalení uchovat v chladničce nebo zamrazit. Abyste se vyhnuli zaživačím obtížím, nepoužívejte znovu sáčky, které jste již dříve použili k uchování syrového masa, syrových ryb nebo mastných potravin.

Rozmrazování a ohřívání vakuově balených potravin



Potraviny vždy rozmrazujte v chladničce nebo mikrovlnné troubě – potraviny podléhající zkáze nikdy nerozmrazujte při pokojové teplotě.

Chcete-li potraviny uložené v dóze FoodSaver™ Fresh ohřát v mikrovlnné troubě, uvolněte vakuový ventil a ponechejte víko nasazené.

Fresh zip sáčky pro vakuování FoodSaver™ nikdy nepoužívejte v mikrovlnné troubě k ohřevu nebo rozmrazování potravin.

Pokyny pro vakuování

Maso



Hovězí maso se může zdát po vakuovém zabalení tmavší. Děje se tak kvůli odsátí vzduchu. Nejedná se o vadu či známku zkázy.

Tvrdé sýry



Aby sýr zůstal čerstvý, po odkrojení jej před vložením zpět do chladničky vždy znovu vakuově zabalte. Jestliže chcete sýr znovu vakuovat, vložte jej do dózy FoodSaver™ Fresh nebo ZIP sáčku Fresh a opět jej vakuově zabalte.

DŮLEŽITÉ: Vzhledem k nebezpečí vzniku anaerobních bakterií byste nikdy neměli vakuovat měkké sýry.

Zelenina



Zeleninu je třeba před vakuováním blanširovat. Tento postup zastaví činnost enzymu, který by mohl způsobit ztrátu vůně, barvy a chutě.

Chcete-li blanširovat zeleninu, vložte ji do vroucí vody nebo mikrovlnné trouby na takovou dobu, aby se uvařila, ale přitom zůstala stále křupavá. Doba blanširování je zhruba 1 až 2 minuty pro listovou zeleninu a hrášek; 3 až 4 minuty pro hrachové lusky, plátky cukety nebo brokolici; 5 minut pro mrkve a 7 až 11 minut pro kukuřičný klas.

Po blanširování ponořte zeleninu do studené vody, abyste zastavili proces vaření. Nakonec nechejte zeleninu před vakuováním uschnout na utěrce.

Poznámka: Některé potraviny (včetně brokolice, růžičkové kapusty, zelí, květáku, kapusty, tuřinu a banánů) během skladování přirozeně uvolňují plyny. Proto mohou být po blanširování skladovány pouze v mrazáku.

Při zmrazování zeleniny je nejlepší ji nejprve částečně zmrazit na 1 až 2 hodiny nebo dokud není zcela tvrdá. Chcete-li zmrazit zeleninu v jednotlivých porcích, nejdříve ji položte na pečící plech a rozmístěte ji tak, aby se jednotlivé kusy nedotýkaly. Zabráníte tím tomu, aby kusy zeleniny přimrzly k sobě. Po zmrazení vyjměte zeleninu z pečícího plechu a vakuově je zabalte v dóze FoodSaver™ Fresh. Po vakuovém zabalení vraťte zeleninu do mrazáku.

DŮLEŽITÉ: Vzhledem k nebezpečí vzniku anaerobních bakterií byste nikdy neměli vakuovat čerstvé houby, cibuli a česnek.

Listová zelenina



Nejprve omyjte zeleninu a pak ji osušte pomocí utěrky nebo odstředivky na salát. Osušenou zeleninu vložte do dózy FoodSaver™ Fresh a vakuově je zabalte obvyklým způsobem. Skladujte ji v chladničce.

Ovoce



Ovoce můžete vakuovat v menších porcích, které lze využít při pečení. Nebo můžete vakuovat své oblíbené ovocné kombinace, abyste si mohli snadno připravit ovocný salát kdykoli během roku. V případě skladování v chladničce doporučujeme použít dózu FoodSaver™ Fresh.

Pečené pokrmy



Chcete-li vakuovat měkké nebo nadýchané pečené pokrmy, doporučujeme použít dózu FoodSaver™ Fresh, aby si pokrmy uchovaly svůj tvar. Chcete-li ušetřit čas, předem si připravte těsto, korpus, celé koláče nebo směs suchých surovin a vakuově je zabalte pro pozdější použití.

Káva a práškové potraviny



Chcete-li předejít tomu, aby se do vakuové pumpy dostaly částičky jídla, před vakuováním položte na horní část sáčku nebo dózy kávový filtr nebo papírovou utěrku. Potraviny můžete vložit do ZIP sáčku FoodSaver™ Fresh také v jejich originálním obalu nebo můžete pro vakuování použít dózu FoodSaver™ Fresh.

Tekutiny



Před vakuováním horkých tekutin v dóze FoodSaver™ Fresh je nechejte vychladnout na pokojovou teplotu. Při vakuování horkých tekutin může dojít ke ztrátě vakua.

Odstraňování potíží

Problém	Řešení
Zařízení neodsává vzduch ze ZIP sáčku FoodSaver™ Fresh.	<ul style="list-style-type: none">• Zařízení neodsává vzduch ze ZIP sáčku FoodSaver™ Fresh.• Ujistěte se, že je sáček pevně uzavřen.• Vzduchový ventil není umístěn na rovném povrchu. Přemístěte sáček tak, aby vzduchový ventil ležel rovně na platformě zařízení a nenacházely se pod ním žádné potraviny.
Vakuovací tryska a vzduchový ventil nedoléhají.	<ul style="list-style-type: none">• Ujistěte se, že se vakuovací tryska nachází nad šedým kruhem a je umístěna rovně na vzduchovém ventilu. Mírně zatlačte.
Vzduch byl odsán ze sáčku, ale nyní se do něj dostal zpět.	<ul style="list-style-type: none">• Zkontrolujte zip a ventil sáčku. Zbytky potravin zachycené v zipu nebo ventilu mohou způsobit netěsnost a umožnit přístup vzduchu.• V některých případech mohou vlhkost nebo zbytky potravin v blízkosti těsnících okrajů zipu či pod ventilem zabránit řádnému utěsnění. Oťřete vnitřek sáčku okolo zipu a pod ventilem a zkuste provést vakuování znovu.• Při vakuování potravin s ostrými hranami může dojít k propíchnutí sáčku. Pokud je v sáčku díra, použijte nový sáček. Obalte potraviny s ostrými hranami měkkým materiálem, jako je papírová utěrka, a znovu je vakuově zabalte.
Dóza FoodSaver™ Fresh není vakuově těsná.	<ul style="list-style-type: none">• Ujistěte se, že gumové těsnění na vnitřní straně víka neobsahuje zbytky potravin a že je řádně nasazeno.• Zkontrolujte, zda okraj dózy není popraskaný nebo poškrábaný. Jakékoli mezery mohou zabránit řádnému vakuování. Ujistěte se, že vakuový ventil dózy je čistý.• Ujistěte se, že víko dózy je řádně nasazeno na všech 4 rozích. Sejměte víko a znovu ho nasadte.
LED kontrolka zařízení bliká červeně.	<ul style="list-style-type: none">• To znamená, že zařízení zcela neutěsnilo dózu nebo sáček. Zvedněte vakuovací hlavu a ujistěte se, že jsou dóza nebo sáček správně uzavřeny.• Ujistěte se, že nádobka na tekutinu je čistá a řádně upevněná tak, aby nedocházelo k žádnému úniku vzduchu.• Posuňte vakuovací hlavu dolů, pevně ji přitlačte na ventil dózy nebo sáčku a stiskněte tlačítko Start. Proces vakuování by neměl trvat déle než 1 minutu.
LED kontrolka zařízení bliká zeleně.	<ul style="list-style-type: none">• To znamená, že ventil dózy nebo sáčku není správně přitisknut k vakuovací hlavě. Posuňte vakuovací hlavu dolů, pevně ji přitlačte na ventil dózy nebo sáčku a stiskněte tlačítko Start.

Údržba a čištění

Zařízení před čištěním vždy odpojte ze zásuvky.

Vnější části zařízení otřete měkkým suchým hadříkem.

Po každém použití vyjměte nádobku na tekutinu a osušte ji. Chcete-li vyjmout nádobku na tekutinu, uchopte ji dvěma prsty a zatlačením dolů ji sejměte z vakuovací hlavy. Omyjte nádobku v teplé mýdlové vodě a nechejte ji na vzduchu důkladně uschnout.

Těsnění na nádobce můžete rovněž vyjmout a vyčistit. Omyjte těsnění v teplé mýdlové vodě a před opětovným nasazením ho nechejte důkladně uschnout.

Ujistěte se, že vakuovací otvor neobsahuje zbytky potravin. Otřete vakuovací otvor měkkou suchou utěrkou.

Skladování

Ujistěte se, že je zařízení čisté, a uložte ho nastojato na plochem a rovném povrchu dostatečně daleko od hran a míst, kde by se mohlo snadno převrátit.

Záruční list

Ušchovejte si prosím doklad o koupi, bude požadován při případném uplatňování této záruky.

Jak je uvedeno v tomto dokumentu, na toto zařízení se vztahuje záruka 2 roky od data zakoupení.

Pokud během této záruční doby zařízení přestane z důvodu pochybení při výrobě nebo konstrukci fungovat, vraťte je v místě zakoupení. Vezměte s sebou doklad o koupi a kopii tohoto Záručního listu.

Práva a výhody dané touto zárukou doplňují vaše zákonná práva, jež touto zárukou nejsou dotčena. Pouze společnost Jarden Consumer Solutions (Europe) Ltd. („JCS (Europe)“) má právo měnit tyto podmínky.

Společnost JCS (Europe) se zavazuje, že v záruční době zdarma opraví nebo vymění toto zařízení nebo jakoukoli jeho část, jež nebude správně fungovat, a to za předpokladu, že:

- včas vyrozumíte prodejce nebo společnost JCS (Europe) o zjištěném problému; a
- zařízení nebylo žádným způsobem upraveno nebo poškozeno, nesprávně používáno, opravováno či upravováno osobou neautorizovanou společností JCS (Europe).

Tato záruka se nevztahuje na závady, jež se vyskytnou v důsledku nesprávného použití, poškození, nešetřného zacházení, použití zařízení s nesprávným napětím, přírodních vlivů, událostí mimo kontrolu společnosti JCS (Europe), oprav nebo úprav provedených osobou neautorizovanou společností JCS (Europe) nebo nedodržování návodu k použití. Tato záruka se navíc nevztahuje na běžné opotřebení, jako je mimo jiné i mírné vyblednutí barev či poškrábání zařízení.

Práva daná touto zárukou se vztahují pouze na prvního majitele a nezahrnují komerční či komunitní použití zařízení.

Pokud je součástí vašeho zařízení i specifická záruka či garance platná pro danou zemi, platí podmínky této specifické záruky či garance, a nikoliv záruční podmínky uvedené v tomto dokumentu. Další informace vám sdělí místní autorizovaný prodejce.

Elektrická zařízení určená k likvidaci nesmí být zlikvidována jako domovní odpad. Jestliže je to možné, recyklujte prosím. Chcete-li získat více informací o recyklaci a směrnicích WEEE, napište nám na enquiriesEurope@jardencs.com.

Jarden Consumer Solutions (Europe) Limited
5400 Lakeside
Cheadle Royal Business Park
Cheadle
SK8 3GQ
United Kingdom



Dôležité bezpečnostné opatrenia

Spotrebič môžu používať deti vo veku od 8 rokov a osoby so zníženými fyzickými, zmyslovými alebo psychickými schopnosťami alebo nedostatkom skúseností a vedomostí, pokiaľ ho používajú pod dohľadom alebo na základe pokynov na používanie tohto spotrebiča bezpečným spôsobom a rozumejú prípadným rizikám. Nenechávajú deti hrať sa so spotrebičom. Čistenie a údržbu zo strany používateľa nemajú vykonávať deti bez dohľadu.

Ak je napájací kábel poškodený, musí ho vymeniť výrobca, servisný technik alebo podobne kvalifikovaná osoba, aby sa predišlo riziku.

- Výrobok vždy používajte na stabilnom, bezpečnom suchom a rovnom povrchu.
- **POZOR: TENTO SPOTREBIČ NIE JE URČENÝ NA KOMERČNÉ ÚČELY.** Tento výrobok nikdy nepoužívajte na iný, než určený účel. Výrobok je určený iba pre používanie v domácnosti. Výrobok nepoužívajte vo vonkajšom prostredí.
- Žiadnu časť výrobku ani napájací kábel a zástrčku nikdy neponárajte do vody alebo inej kvapaliny.
- Do not use the appliance if it has been dropped or if there are any visible signs of damage.
- Po použití a pred čistením spotrebiča sa presvedčte, že spotrebič je vypnutý a odpojený od sieťového napájania.
- Ak chcete zariadenie odpojiť zo siete, vytiahnite zástrčku zo zásuvky. Pri vyťahovaní zástrčky neťahajte za kábel.
- Zariadenie nepoužívajte s predlžovacím káblom.
- Používajte len príslušenstvo alebo nadstavce odporúčané výrobcom.

TIETO POKYNY SI ODLOŽTE

Vákuová balička potravín FoodSaver™

Prečo baliť vákuovo?

Vystavenie potravín vzduchu spôsobuje, že strácajú nutričné hodnoty a chuť a tvoria sa rôzne baktérie, plesne a kvasinky. Vákuová balička potravín FoodSaver™ odsaje vzduch a uzatvorením sa zachová chuť a kvalita. Teraz máte možnosť využívať výhody vedecky preukázanej metódy skladovania potravín, pri ktorej zostávajú potraviny čerstvé až päťkrát dlhšie.

Zariadenie FoodSaver™ šetrí peniaze aj čas.

- **Míňajte menej peňazí.** Vďaka zariadeniu FoodSaver™ môžete nakupovať vo veľkom alebo nakupovať potraviny v zľavách a vákuovo zabaliť požadované porcie bez plytvania.
- **Ušetríte viac času.** Navarte si vopred na celý týždeň a pripravené jedlá uložte do vreciek FoodSaver™.
- **Marinujte bleskovo.** Vákuovým balením sa rozťahunú póry potravín, takže marinovanú príchuť dosiahnete už za 20 minút namiesto marinovania celú noc.
- **Zjednodušte si zábavu.** Pripravte znamenité jedlá vopred a tráviť viac vzácného času s hosťami.
- **Vychutnávajte si sezónne alebo špeciálne potraviny.** Udržte rýchlo sa kaziace alebo ojedinele používané potraviny čerstvejšie dlhší čas.
- **Kontrolujte porcie na dodržanie správneho režimu stravovania.** Zabalte do vákuu rozumné porcie a napište na vrecko počet kalórií a obsah tuku.
- **Ochráňte aj ostatné výrobky, nielen potraviny.** Udržte zásoby na kempovanie alebo výlet loďou v suchu a usporiadané počas výletov. Ochráňte leštené striebro pred zádžením tým, že obmedzíte čas jeho vystavenia vzduchu na minimum.

Príslušenstvo FoodSaver™

Využívajte spotrebič FoodSaver™ naplno vďaka nádobám a vreckám FoodSaver™, ktoré sa jednoducho používajú.

Uzatvárateľné vrecká FoodSaver™ na zachovanie čerstvosti potravín

Uzatvárateľné vrecká FoodSaver™ obsahujú špeciálne kanáliky, ktoré umožňujú účinné odsatie vzduchu. Viacvrstvový dizajn predstavuje mimoriadne efektívnu ochranu pred vzduchom a vlhkom.

Nádoby FoodSaver™ na zachovanie čerstvosti potravín

Nádoby FoodSaver™ na zachovanie čerstvosti potravín sa jednoducho používajú a sú ideálne na vákuové balenie krehkých potravín, napr. muffinov alebo iného pečiva, tekutín a suchých potravín.

Objednanie

Ak si chcete objednať vrecká, rolky a príslušenstvo FoodSaver™, navštívte lokalitu www.foodsavereurope.com a vyberte svoju oblasť.

Diely

Pozri obr. 1:

- | | |
|--|----------------------------|
| A Tlačidlo Štart | E Podstavec |
| B Indikátor pripravenosti na použitie | F Odsávací otvor |
| C Tlačidlá uvoľnenia (x2) | G Nádržka |
| D Platforma | H Odsávacia hlavica |

Používanie systému na zachovanie čerstvosti potravín

Vákuové uzatvorenie pomocou nádob FoodSaver™ na zachovanie čerstvosti potravín

Pozri obr. 2:

1. Výrobok, ktorý chcete vákuovo uzatvoriť, vložte do nádoby. Na podstavec nádoby nasadte veko. Na všetky rohy veka pevne zatlačte, aby sa tesne uzavrelo.
2. Umiestnite nádobu na podstavec. Ako vodiaca plocha vám posлuží platforma.
3. Jej výšku nastavte stlačením oboch tlačidiel uvoľnenia na odsávacej hlavici. Odsávaciu hlavicu zavedte do ventilu nádoby tak, aby cvaknutím zapadla. Rozsvieti sa zelený indikátor pripravenosti na použitie.
Poznámka: Tento zelený indikátor sa rozsvieti iba v prípade, že sa odsávacia hlavica dostane do bezpečného kontaktu s ventilom nádoby.
4. Proces vákuového uzatvárania sa spustí stlačením tlačidla Štart. V priebehu procesu vákuového uzatvárania indikátor vákuu na nádobe čoskoro klesne smerom dovnútra. Nezastavujte proces. Keď bude nádoba úplne vákuovo uzatvorená, spotrebič sa automaticky zastaví.
5. Stlačením oboch tlačidiel uvoľnenia na odsávacej hlavici uzatvorenú nádobu nadvihnite a vyberte.

Pomocou nádob FoodSaver™ na zachovanie čerstvosti potravín môžete vykonávať rýchle marinovanie potravín. Vložte potraviny do nádoby, zalejte ich svojou obľúbenou marinádou a nádobu uzatvorte pevným zatlačením veka.

Následne môžete pokračovať krokmi 2 – 5 uvedenými v časti *Vákuové uzatvorenie pomocou nádob FoodSaver™ na zachovanie čerstvosti potravín*. Aby marináda dôkladne nasiakla do potravín, ponechajte ich vákuovo uzatvorené 20 minút.

Vákuové uzatvorenie pomocou uzatvárateľných vreciek FoodSaver™ na zachovanie čerstvosti potravín

Tieto uzatvárateľné vrecká FoodSaver™ na zachovanie čerstvosti potravín by sa mali používať len na skladovanie čerstvých potravín (v chladničke alebo špagze) a nie na skladovanie potravín v mrazničke. Nepoužívajte na vákuové uzatváranie tekutín.

Ak v dôsledku vákuového uzatvorenia potraviny zvlhnú, dbajte na to, aby tekutina neprenikla do ventilu uzatvárateľného vrečka. V prípade potreby skontrolujte a vyčistite nádržku spotrebiča.

Pozri obr. 3:

1. Výrobok, ktorý chcete vákuovo uzatvoriť, vložte do vrečka. Umiestnite vrečko do podstavca a zarovnajzte ventil vrečka. Pri umiestňovaní vrečka vám ako vodiaca plocha posлuží platforma.
2. Jej výšku nastavte stlačením oboch tlačidiel uvoľnenia na odsávacej hlavici. Odsávaciu hlavicu zavedte do ventilu vrečka tak, aby cvaknutím zapadla. Rozsvieti sa zelený indikátor pripravenosti na použitie.
Poznámka: Táto zelená kontrolka sa rozsvieti iba v prípade, že sa odsávacia hlavica dostane do bezpečného kontaktu s ventilom vrečka.
3. Proces vákuového uzatvárania sa spustí stlačením tlačidla Štart. Keď bude vrečko úplne vákuovo uzatvorené, spotrebič sa automaticky zastaví.
4. Stlačením oboch tlačidiel uvoľnenia na odsávacej hlavici uzatvorené vrečko nadvihnite a vyberte.

Tipy pre uzatvárateľné vrecká FoodSaver™ na zachovanie čerstvosti potravín

- Vrecká neprepľhajte; vždy nechajte priestor medzi obsahom vrečka a uzáverom. Tým vznikne priestor na to, aby sa materiál vrečka uzatvoril tesne pred vloženými potravinami.
- Pred vložením vrečka do spotrebiča prejdite prstami po uzávère, a tým zatvorte vrečko.
- Keď pomocou vákuu balíte položky so ostrými hranami (suché špagety, strieborný riad alebo príbory atď.), vrecúško ochráňte pred prepichnutím tým, že tieto predmety zabalíte do mäkkého výplňového materiálu, napr. do papierovej utierky.

Rady, tipy a triky na uskladnenie

Vákuové balenie a bezpečnosť potravín

Procesom vákuového balenia sa predlžuje životnosť potravín prostredníctvom odsatia väčšiny vzduchu z utesnenej nádoby, čím sa znižuje oxidácia, ktorá negatívne vplyva na nutričné hodnoty, chuť a celkovú kvalitu potravín. Odsatím vzduchu sa môže navyše spomaliť tvorba mikroorganizmov, ktoré za určitých podmienok spôsobujú problémy:

Ak chcete zachovať bezpečnosť potravín, je dôležité, aby ste ich uskladnili pri nízkych teplotách. Tvorbu mikroorganizmov môžete značne zredukovať pri teplote 4 °C alebo nižšej.

Zamrazenie na teplotu – 17 °C sa nezabíjajú mikroorganizmy, ale zabráni sa ich šíreniu. V záujme dlhodobého uskladnenia vždy zamrazte rýchlo sa kaziace potraviny vo vákuovom balení a po rozmrazení ich skladujte v chladničke. Tieto uzatvárateľné vrecká FoodSaver™ na zachovanie čerstvosti potravín by sa mali používať len na skladovanie čerstvých potravín (v chladničke alebo špajze) a nie na skladovanie potravín v mrazničke.

Je dôležité poznamenať, že vákuové balenie NENAHRÁDZA konzervovanie a nemôže zabrániť skazeniu potravín. Môže len spomaliť zmeny kvality. Možno len ťažko predpovedať, ako dlho si potraviny udržia prvotriednu chuť, vzhľad alebo textúru, pretože to závisí od čerstvosti a stavu potravín v deň, keď sa vákuovo balili.

DÔLEŽITÉ: Vákuové balenie NENAHRÁDZA chladenie ani zmrazenie. Všetky rýchlo sa kaziace potraviny sa musia po vákuovom zabalení skladovať v chladničke alebo mrazničke. Ak chcete predísť možným chorobám, nepoužívajte opakované vrecká, v ktorých bolo uskladnené surové mäso, surové ryby alebo masné potraviny.

Rozmrazovanie a zohrievanie vákuovo balených potravín



Potraviny vždy rozmrazujte v chladničke alebo mikrovlnnej rúre. Potraviny podliehajúce skaze nerozmrazujte pri izbovej teplote.

Ak chcete zohrievať potraviny uzatvorené v nádobe FoodSaver™ v mikrovlnnej rúre, uvoľnite vákuový ventil a veko nechajte na mieste.

DÔLEŽITÉ: Uzavratelne vrecká FoodSaver™ na zachovanie čerstvosti sa nesmú používať v mikrovlnnej rúre na ohrievanie a rozmrazovanie potravín.

Pokyny na prípravu

Mäso



Hovädzina môže po uzatvorení pomocou vákua stmavnúť v dôsledku odsatia kyselika. Nie je to znamenie znehodnotenia.

Tvrde syry



Ak chcete udržať syr čerstvý, po každom použití ho vákuovo uzatvorte. Keď chcete syr opätovne uzatvoriť, jednoducho ho vložte späť do nádoby alebo uzatvárateľného vrecka FoodSaver™ na zachovanie čerstvosti potravín a uzatvorte ich pomocou vákua.

DÔLEŽITÉ: Vzhľadom na riziko výskytu anaeróbnych baktérií by sa mäkké syry nemali vákuovo uzatvárať.

Zelenina



Zelenina sa musí pred vákuovým uzatvorením blanširovať. Týmto procesom sa zastaví činnosť enzýmov, ktorá by mohla mať za následok stratu chuti, farby a textúry.

Blanširovanie zeleniny sa vykonáva tak, že sa zelenina vloží do vriacej vody alebo do mikrovlnnej rúry a nechá sa povariť do chrumkava. Listová zelenina a hrášok sa majú blanširovať 1 až 2 minúty; sladký hrášok, nakrájaná cuketa alebo brokolica 3 až 4 minúty; mrkva 5 minút a kukuričné šúľky 7 až 11 minút.

Po blanširovaní ponorte zeleninu do studenej vody, aby sa zastavil proces varenia. Zeleninu pred vákuovým uzatvorením nechajte usušiť na utierke.

Poznámka: Niektoré potraviny (napr. brokolica, ružičkový kel, kapusta, karfiol, kel, okružnica a banány) uvoľňujú pri skladovaní plyny. Preto sa po blanširovaní musia skladovať len v mrazničke.

Zelenina sa najlepšie zmrazuje tak, že sa nechá 1 – 2 hodiny vopred zmraziť alebo až kým nie pevne zmrazená. Ak chcete zmraziť zeleninu v jednotlivých porciách, porcie najprv uložte na plech tak, aby sa navzájom nedotýkali. Tým sa zabráni tomu, aby sa nezmrazili spojené do jedného bloku. Keď je zelenina zmrazená, zoberte ju z plechu a vákuovo ju uzatvorte do nádoby FoodSaver™ určenej na zachovanie čerstvosti potravín. Po uzatvorení vložte zeleninu znovu do mrazničky.

DÔLEŽITÉ: Vzhľadom na riziko výskytu anaeróbnych baktérií by sa čerstvé huby, cibuľa a cesnak nemali vákuovo uzatvárať.

Listová zelenina



Zeleninu najprv umyte a následne osušte pomocou utierky alebo odstredivky na šalát. Po osušení ju vložte do nádoby FoodSaver™ a obvyklým spôsobom ju vákuovo uzatvorte. Skladujte v chladničke.

Ovocie



Pomocou vákuového uzatvorenia môžete uchovávať porcie na pečenie alebo môžete uchovávať zmes ovocia na prípravu obľúbených ovocných šalátov v priebehu celého roka. Na skladovanie v chladničke sa odporúča použitie nádoby FoodSaver™ určenej na zachovanie čerstvosti potravín.

Pečivo



Na skladovanie mäkkého alebo nadýchaného pečiva sa odporúča vákuové uzatvorenie pomocou nádoby FoodSaver™. Pečivo si tak zachová svoj tvar. Ak chcete pri príprave sušienok a koláčov ušetriť čas, pripravte si vopred cesto, korpus alebo celé koláče alebo zmiešajte suché prísady a vákuovo ich uzatvorte. Budete ich tak mať pripravené na neskoršie použitie.

Káva a práškové potraviny



Aby ste zabránili vniknutiu kúskov potravín do vývevy, pred uzatvorením pomocou vákuu položte na vrch vrecka alebo nádoby kávový filter alebo papierový obrúsok. Potraviny môžete vákuovo uzatvoriť aj tak, že ich vložíte v ich pôvodnom vrecku do uzatvárateľného vrecka FoodSaver™ alebo do nádoby FoodSaver™ určených na zachovanie čerstvosti potravín.

Tekutiny



Horúce tekutiny nechajte najprv vychladnúť pri izbovej teplote a až potom ich vákuovo uzatvorte v nádobe FoodSaver™ určenej na zachovanie čerstvosti potravín. Ak sa vákuovo uzatvorí horúca tekutina, môže dôjsť k strate vákuu.

Riešenie problémov

Problém	Riešenie
Spotrebič neodsáva vzduch z uzatvárateľného vrecka FoodSaver™.	<ul style="list-style-type: none">• Presvedčte sa, či je vrecko pevne uzatvorené.• Vzduchový ventil sa nenachádza na rovnom povrchu. Zmeňte polohu vrecka tak, aby vzduchový ventil ležal naplocho na platforme spotrebiča. Naspodku sa nesmú nachádzať žiadne potraviny.
Vákuová dýza a vzduchový ventil vzájomne nedoliehajú.	<ul style="list-style-type: none">• Skontrolujte, či vákuová dýza vedie ponad sivý kruh a či je umiestnená naplocho na vzduchovom ventile. Pôsobte len miernym tlakom.
Vzduch z vrecka bol odstránený, ale teraz vnikol späť.	<ul style="list-style-type: none">• Skontrolujte ventil a uzáver vrecka. V dôsledku výskytu zvyškov potravín na uzávere alebo ventile môže dôjsť k úniku a vniknutiu vzduchu.• Riadnemu uzatvoreniu vrecka niekedy bráni výskyt vlhkosti alebo kúskov potravín nachádzajúcich sa pozdĺž tesniacich okrajov uzáveru alebo pod ventilom. Utrite vnútro vrecka okolo uzáveru alebo pod ventilom a znovu vrecko uzatvorte.• Ak vákuovo balíte ostré položky, môže dôjsť k prepichnutiu vrecka. V takom prípade použite nové vrecko. Potraviny s ostrými okrajmi alebo hrotmi zakryte mäkkým výplňovým materiálom, napr. papierovou utierkou, a vrecko znovu uzatvorte.
Nádoba FoodSaver™ neodsáva.	<ul style="list-style-type: none">• Presvedčte sa, či sa na gumovom tesnení na vnútornej strane veka nenachádzajú kúsky potravín a pevne ho nasadte na miesto.• Skontrolujte prípadný výskyt prasklín alebo škrabancov na okraji nádoby. Riadnemu odsatiu vzduchu z nádoby môžu brániť akékoľvek medzery. Skontrolujte, či je vákuový ventil nádoby čistý.• Presvedčte sa, či je veko nádoby riadne uzatvorené na všetkých 4 rohoch; veko odoberte a znovu zatlačte.
Indikátor LED na spotrebiči bliká načerveno.	<ul style="list-style-type: none">• Upozorňuje na to, že spotrebič úplne neuzatvoril nádobu alebo vrecko. Zdvíhnite odsávaciu hlavicu a skontrolujte správne uzatvorenie nádoby alebo vrecka.• Presvedčte sa, či je nádržka na tekutinu čistá a nasadená správnym spôsobom tak, aby nedochádzalo k úniku vzduchu.• Posuňte odsávaciu hlavicu nadol a pevne ju zatlačte do ventilu nádoby alebo vrecka a následne stlačte tlačidlo Štart. Proces vákuového uzatvárania by nemal trvať dlhšie ako 1 minútu.
Indikátor LED na spotrebiči bliká nazeleno.	<ul style="list-style-type: none">• Znamená to, že ventil nádoby alebo vrecka nie je správne pripojený k odsávacej hlavici. Posuňte odsávaciu hlavicu nadol a pevne ju zatlačte do ventilu nádoby alebo vrecka a následne stlačte tlačidlo Štart.

Starostlivosť a čistenie

Spotrebič pred čistením vždy odpojte od napájania.

Teleso spotrebiča utrite mäkkou, suchou handričkou.

Nádržku po každom použití vysuňte a vyčistite prípadnú vlhkosť. Nádržku vyberte tak, že ju podržíte dvoma prstami a stiahnete z odsávacej hlavice. Umyte ju v teplej mydlovej vode a nechajte ju dôkladne uschnúť na vzduchu.

Aj košík na nádržke možno odobrať a vyčistiť. Umyte ho teplou mydlovou vodou, nechajte dôkladne uschnúť a znovu ho nasadíte na miesto.

Skontrolujte, či sa v odsávacom otvore nenachádzajú zvyšky potravín. Utrite ho mäkkou, suchou handričkou.

Ukladanie

Spotrebič skladujte čistý a uložený vo zvislej polohe, na rovnom povrchu, ďaleko od okrajov, na mieste, z ktorého ho nemožno ľahko zhodiť alebo kde sa nemôže prevrátiť.

Záruka

Doklad o nákupe si uschovajte, bude ho potrebné predložiť v prípade reklamácie podľa tejto záruky.

Na tento spotrebič sa vzťahuje záruka 2 roky od zakúpenia podľa popisu v tomto dokumente.

Ak počas tejto záručnej lehoty spotrebič prestane fungovať kvôli chybe v konštrukcii alebo výrobe, zanešete ho do predajne, kde ste ho zakúpili, spolu s dokladom o nákupe a kópiou tejto záruky.

Práva a výhody vyplývajúce z tejto záruky sú rozšírením vašich zákonných práv, ktoré touto zárukou nie sú dotknuté. Iba spoločnosť Jarden Consumer Solutions (Europe) Ltd. („JCS (Europe)“) má právo tieto podmienky meniť.

Spoločnosť JCS (Europe) sa zaväzuje v rámci záručnej lehoty bezplatne opraviť alebo vymeniť spotrebič alebo ktorúkoľvek jeho časť, ktorá nefunguje správne, pod podmienkou, že:

- o probléme promptne upovedomíte predajcu, kde ste výrobok zakúpili, alebo spoločnosť JCS (Europe) a
- spotrebič nebol nijako pozmenený ani vystavený poškodeniu, nesprávnemu používaniu, zlému zaobchádzaniu, opravám ani zmenám vykonaným osobou, ktorá na to nebola oprávnená spoločnosťou JCS (Europe).

Táto záruka nepokrýva chyby v dôsledku nesprávneho používania, poškodenia, zlého zaobchádzania, používania nesprávnym napätím, prírodných živlov, udalostí mimo kontroly spoločnosti JCS (Europe), opráv ani zmien vykonaných osobou, ktorá na to nebola oprávnená spoločnosťou JCS (Europe), ani nedodržania pokynov na používanie. Okrem toho táto záruka nepokrýva ani bežné opotrebovanie vrátane (okrem iného) drobnej zmeny farby a škrabancov.

Práva vyplývajúce z tejto záruky platia iba pre pôvodného kupujúceho a nevzťahujú sa na komerčné ani komunálne používanie.

Ak spotrebič obsahuje záruku špecifickú pre danú krajinu alebo vložený záručný list, smerodajné sú podmienky takejto záruky. Viac informácií získate od svojho miestneho autorizovaného predajcu.

Elektrické spotrebiče by sa nemali likvidovať spolu s bežným domácim odpadom. Ak na to existujú príslušné zariadenia, prístroj recyklujte. Ďalšie informácie o recyklovaní a smernici o odpade z elektrických a elektronických zariadení (OEEZ) získate na e-mailovej adrese enquiriesEurope@jardencs.com.

Jarden Consumer Solutions (Europe) Limited
5400 Lakeside
Cheadle Royal Business Park
Cheadle
SK8 3GQ
United Kingdom



Instrucțiuni Importante

Acest aparat poate fi utilizat de copii cu vârsta de peste 8 ani și de persoane cu capacități fizice, senzoriale sau mentale reduse sau lipsă de experiență și cunoștințe, cu condiția ca aceștia să fie supravegheați sau instruiți în privința utilizării în siguranță a aparatului și să fi înțelese pericolele implicate. Copiii nu trebuie să se joace cu acest produs. Curățarea și întreținerea de către utilizator nu vor fi efectuate de copii fără supraveghere.

Pentru evitarea pericolelor, în cazul deteriorării cablului de alimentare, acesta trebuie înlocuit de producător, de personalul autorizat de service sau de alte persoane calificate.

- Utilizați întotdeauna aparatul pe o suprafață stabilă, sigură, uscată și plană.
- **ATENȚIE: ACEST APARAT NU ESTE DESTINAT UZULUI COMERCIAL.** Nu utilizați niciodată aparatul în scopuri diferite de destinația de utilizare prevăzută a acestuia. Acest aparat este destinat exclusiv uzului casnic. Nu utilizați acest aparat în exterior.
- Nu introduceți niciodată o parte a aparatului sau cablul și fișa de alimentare în apă sau în alte lichide.
- Nu utilizați aparatul dacă a fost scăpat pe jos sau dacă prezintă semne vizibile de deteriorare.
- Asigurați-vă că aparatul este oprit și deconectat de la priza electrică după utilizare și înainte de curățare.
- Pentru a deconecta aparatul, scoateți cablul de alimentare din priza electrică. Nu deconectați aparatul trăgând de cablu.
- Nu folosiți un cablu prelungitor cu aparatul.
- Folosiți numai accesorii sau dispozitive atașabile recomandate de producător.

PĂSTRAȚI ACESTE INSTRUCȚIUNI

Sistemul FoodSaver™

De ce ambalarea în vid?

Expunerea la aer face ca alimentele să-și piardă proprietățile nutritive și gustul și, de asemenea, produce arsura prin congelare și permite dezvoltarea a numeroase bacterii, a mucegaiului și a fermenților. Sistemul de ambalare în vid FoodSaver™ elimină aerul și conservă gustul și calitatea. Acum, vă puteți bucura de beneficiile unei metode dovedite științific de depozitare a alimentelor, cu ajutorul căreia alimentele rămân proaspete un timp de până la cinci ori mai lung.

Sistemul FoodSaver™ economisește timp și bani.

- **Cheltuiți mai puțin.** Cu sistemul FoodSaver™, puteți cumpăra cantități mari sau produse la reducere și puteți ambala alimentele în vid în porțiile dorite fără a face risipă.
- **Economisiți timp.** Gătiți din timp pentru toată săptămâna, preparând alimentele și depozitându-le în pungi FoodSaver™.
- **Marinați în câteva minute.** Prin ambalarea în vid porii alimentelor se deschid, astfel încât puteți obține acel minunat gust de marinat în doar 20 de minute și nu peste noapte.
- **Ușurați-vă munca atunci când aveți musafiri.** Pregătiți din timp rețetele dvs. specializate și bunătățile pentru sărbători ca să puteți petrece mai mult timp cu musafirii.
- **Bucurați-vă de alimente de sezon sau specialități.** Păstrați mai mult timp prospețimea alimentelor foarte perisabile sau rar folosite.
- **Controlați porțiile pentru regimuri.** Ambalați în vid porții rezonabile și notați caloriiile și/sau gramele de grăsime pe pungă.
- **Protejați alte articole decât alimente.** Păstrați articolele pentru drumetii în natură și plimbări cu barca uscate și organizate pentru ieșiri. Protejați argintul șlefuit împotriva pătrării minimizând expunerea la aer.

Accesorii FoodSaver™

Profitați la maximum de aparatul dvs. FoodSaver™ cu ajutorul containerelor și pungilor ușor de utilizat FoodSaver™.

Pungi cu fermoar pentru păstrarea prospețimii FoodSaver™

Pungile cu fermoar FoodSaver™ au canale speciale care permit eliminarea eficientă a aerului. Datorită structurii în straturi multiple, sunt o barieră deosebit de eficientă împotriva oxigenului și a umezelii.

Containere pentru păstrarea prospețimii FoodSaver™

Containerele pentru păstrarea prospețimii FoodSaver™ sunt ușor de folosit și sunt ideale pentru ambalarea în vid a alimentelor fragile, cum ar fi brișelele și alte produse de patiserie, lichidele și produsele uscate.

Comanda

Pentru a comanda pungi, folii și accesorii FoodSaver™, vizitați www.foodsaver-romania.ro.

Componente

Consultați Fig. 1:

- | | |
|---------------------------------------|-------------------------|
| A Buton de pornire | E Bază |
| B Indicator de disponibilitate | F Port de vidare |
| C Buton de eliberare (x2) | G Rezervor |
| D Platformă | H Cap de vidare |

Utilizarea sistemului de depozitare a alimentelor proaspete

Sigilare în vid cu containerele pentru păstrarea proșpețimii FoodSaver™

Consultați Fig. 2:

1. Amplașați în container alimentul care va fi sigilat în vid. Montați capacul pe baza recipientului. Apăsăți cu fermitate toate colțurile pentru a asigura etanșarea capacului.
2. Amplașați containerul pe bază folosind platforma pentru ghidare.
3. Apăsăți ambele butoane de eliberare de pe capul de vidare pentru a regla înălțimea acestuia. Ghidați capul de vidare pe supapa containerului până ce se cuplează cu un clic. Indicatorul de disponibilitate de culoare verde se va aprinde.
Notă: Indicatorul verde se aprinde numai în cazul în care capul de vidare se cuplează corect la supapa containerului.
4. Apăsăți butonul Start pentru a porni procesul de sigilare în vid. Indicatorul de vid de pe container va fi atras în interior la începutul procesului de sigilare în vid. Nu opriți procesul. Aparatul se va opri automat atunci când containerul va fi complet sigilat în vid.
5. Apăsăți ambele butoane de eliberare de pe capul de vidare pentru a ridica și îndepărta containerul sigilat.

Puteți marina rapid alimentele folosind containerele pentru păstrarea proșpețimii FoodSaver™. Introduceți alimentele în container, acoperiți-le complet cu marinata preferată și apăsați ferm capacul pentru a îl etanșa.

Apoi, puteți urma pașii 2–5 ai procedurii *Sigilare în vid cu containerele pentru păstrarea proșpețimii FoodSaver™*. Lăsați alimentele sigilate în vid timp de 20 de minute pentru a vă asigura că marinata pătrunde în alimente.

Sigilare în vid cu pungile cu fermoar pentru păstrarea proșpețimii FoodSaver™

Pungile cu fermoar pentru păstrarea proșpețimii FoodSaver™ trebuie utilizate numai pentru păstrarea alimentelor în stare proaspătă (în frigider sau cămară), nu în congelator. Nu le utilizați pentru sigilarea în vid a lichidelor.

Dacă sigilați în vid alimente umede, asigurați-vă că lichidul nu ajunge la supapa pungii cu fermoar; de asemenea, este necesar să verificați și să curățați rezervorul aparatului atunci când este necesar.

Consultați Fig. 3:

1. Amplașați în pungă alimentul care va fi sigilat în vid. Amplașați punga pe bază folosind platforma pentru ghidare și aliniați supapa pungii.
2. Apăsăți ambele butoane de eliberare de pe capul de vidare pentru a regla înălțimea acestuia. Ghidați capul de vidare pe supapa pungii până ce se cuplează cu un clic. Indicatorul de disponibilitate de culoare verde se va aprinde.
Notă: Indicatorul verde se aprinde numai în cazul în care capul de vidare se cuplează corect la supapa pungii.
3. Apăsăți butonul Start pentru a porni procesul de sigilare în vid. Aparatul se va opri automat atunci când punga va fi complet sigilată în vid.
4. Apăsăți ambele butoane de eliberare de pe capul de vidare pentru a ridica și îndepărta punga sigilată.

Recomandări privind pungile cu fermoar pentru păstrarea proșpețimii FoodSaver™

- Evitați umplerea excesivă; lăsați întotdeauna un spațiu între conținutul pungii și fermoar. Acest lucru va permite etanșarea corectă a materialului pungii pe alimente.
- Nu uitați să treceți degetele peste fermoar pentru a închide punga înainte de a o introduce în aparat.
- Atunci când sigilați în vid obiecte cu margini ascuțite (spaghete uscate, argintărie etc.), protejați punga împotriva acestora înfășurând obiectele într-un material moale, de exemplu într-un șervețel de hârtie.

Ghid de depozitare, sfaturi și recomandări

Ambalarea în vid și siguranța alimentelor

Procesul de ambalare în vid prelungeste durata de valabilitate a alimentelor eliminând majoritatea aerului din recipientul sigilat și reducând astfel oxidarea, care afectează valoarea nutritivă, gustul și calitatea generală. De asemenea, eliminarea aerului poate inhiba dezvoltarea microorganismelor, care pot produce probleme în anumite condiții:

Pentru a conserva alimentele în siguranță, este esențial să mențineți temperaturi scăzute. Puteți reduce semnificativ dezvoltarea microorganismelor la temperaturi de 4°C sau mai mici.

Congelarea la -17°C nu distruge microorganismele, dar le oprește dezvoltarea. Pentru depozitarea pe termen lung, congelați întotdeauna alimentele perisabile care au fost ambalate în vid și păstrați-le la frigider după decongelare. Pungile cu fermoar pentru păstrarea prospețimii FoodSaver™ trebuie utilizate numai pentru păstrarea alimentelor în stare proaspătă (în frigider sau câmară), nu în congelator.

Este important să rețineți că ambalarea în vid NU înlocuiește păstrarea în conserve și nu poate anula alterarea alimentelor. Poate doar să încetinească schimbările de calitate. Este dificil de estimat cât timp își vor păstra alimentele gustul, aspectul și textura de cea mai bună calitate, deoarece depinde de durata și starea alimentelor în ziua când au fost ambalate în vid.

IMPORTANT: Ambalarea în vid NU înlocuiește refrigerarea sau congelarea. Orice alimente perisabile care necesită refrigerare trebuie să fie refrigerate sau congelate după ambalarea în vid. Pentru a evita posibilitatea de îmbolnăvire, nu refolosiți pungile în care ați depozitat carne crudă, pește crud sau alimente grase.

Decongelarea și reîncălzirea alimentelor ambalate în vid



Decongelați întotdeauna alimentele în frigider sau în cuptorul cu microunde; nu decongelați alimente perisabile la temperatura camerei.

Pentru a reîncălzi alimentele în cuptorul cu microunde într-un container pentru păstrarea prospețimii FoodSaver™, deschideți supapa de vid și păstrați capacul instalat.

IMPORTANT: Pungile cu fermoar FoodSaver™ nu trebuie utilizate în cuptorul cu microunde pentru a încălzi sau dezgheța alimentele.

Recomandări privind prepararea

Carnea



Carnea de vită poate avea o culoare mai închisă după sigilarea în vid, din cauza eliminării oxigenului. Acesta nu este un semn de alterare.

Brânzeturile tari



Pentru a păstra brânzeturile proaspete, sigilați-le în vid după fiecare utilizare. Pentru a resigila o bucată de brânză, introduceți-o în containerul sau punga cu fermoar pentru păstrarea prospețimii FoodSaver™ și vidați din nou.

IMPORTANT: Din cauza riscurilor implicate de bacteriile anaerobe, brânzeturile moi nu trebuie niciodată sigilate în vid.

Legumele



Legumele trebuie opărite înaintea sigilării în vid. Acest proces oprește acțiunea enzimelor care ar putea cauza pierderea gustului, a culorii sau a texturii.

Pentru a opări legumele, introduceți-le în apă clocotită sau în cuptorul cu microunde până ce sunt pătrunse, însă rămân crocante. Timpul de opărire este de 1–2 minute pentru legumele verzi și mazăre, de 3–4 minute pentru mazărea păstăi, dovleceii feliați sau broccoli, de 5 minute pentru morcovi și de 7–11 minute pentru știuleții de porumb.

După opărire, scufundați legumele în apă rece pentru a opri procesul de gătire. În cele din urmă, uscați legumele pe un șervet înainte de sigilarea în vid.

Notă: Unele alimente (precum broccoli, varza de Bruxelles, varza, conopida, varza kale, napii și bananele) emit în mod natural gaze în timpul depozitării. Prin urmare, după opărire, acestea trebuie depozitate numai în congelator.

Atunci când congelați legume, este de preferat să le pre-congelați timp de 1–2 ore sau până ce se solidifică. Pentru a congela legumele în porții separate, așezați-le pe hârtie de copt, separându-le astfel încât să nu se atingă între ele. Acest lucru va împiedica congelarea acestora sub forma unui bloc. După congelare, luați legumele de pe hârtia de copt și sigilați-le în vid într-un container pentru păstrarea prospețimii FoodSaver™. După sigilarea în vid, reintroduceți legumele în congelator.

IMPORTANT: Din cauza riscurilor implicate de bacteriile anaerobe, ciupercile proaspete, ceapa și usturoiul nu trebuie niciodată sigilate în vid.

Legumele verzi



Mai întâi, spălați legumele și uscați-le cu un șervet sau un container de uscat salata. După uscare, introduceți-le într-un container pentru păstrarea prospețimii FoodSaver™ și sigilați-le în vid conform procedurii normale. Depozitați-le în frigider.

Frucele



Puteți sigila în vid porții de fruct în vederea coacerii sau în combinațiile dvs. preferate, pentru salate de fructe gata pregătite pe întreaga durată a anului. Dacă le depozitați în frigider, vă recomandăm să utilizați un container pentru păstrarea proșpețimii FoodSaver™.

Alimentele coapte



Pentru a sigila în vid alimente coapte moi sau aerate, vă recomandăm să utilizați un container pentru păstrarea proșpețimii FoodSaver™, care le va permite să își păstreze forma. Pentru a economisi timp, pregătiți aluat pentru fursecuri, cruste de tartă, tarte întregi sau amestecați din timp ingredientele uscate și sigilați-le în vid pentru utilizare ulterioară.

Cafeaua și alimentele sub formă de pudră



Pentru a evita aspirarea particulelor de alimente în pompa de vid, puneți un filtru de cafea sau un șervet de hârtie în partea superioară a pungii sau caserolei înainte de sigilarea în vid. Puteți, de asemenea, introduce alimentele, aflate în ambalajul original, într-o pungă cu fermoar pentru păstrarea proșpețimii FoodSaver™ sau într-un container pentru păstrarea proșpețimii FoodSaver™ înainte de sigilarea în vid.

Lichidele



Așteptați ca lichidele fierbinți să ajungă la temperatura camerei înainte de a le sigila în vid într-un container pentru păstrarea proșpețimii FoodSaver™. Sigilarea în vid a lichidelor fierbinți poate avea ca rezultat compromiterea vidului.

Depanarea

Problem	Solution
Aparatul nu scoate aerul din punga cu fermoar pentru păstrarea proșpețimii FoodSaver™.	<ul style="list-style-type: none">• Asigurați-vă că punga este închisă corect.• Supapa de aer nu se află pe o suprafață plată. Repoziționați punga astfel încât supapa de aer să fie lipită de platforma aparatului, fără alimente sub aceasta.
Duza de vidare și supapa de aer nu intră în contact una cu cealaltă.	<ul style="list-style-type: none">• Asigurați-vă că duza de vidare este centrată pe cercul gri și lipită complet de supapa de aer. Aplicați presiune moderată.
Aerul a fost eliminat din pungă, însă apoi a pătruns din nou în aceasta.	<ul style="list-style-type: none">• Verificați fermoarul și supapa pungii. Resturile de alimente din fermoar sau supapă pot cauza pierderea etanșeității și pătrunderea aerului în pungă.• Uneori, umezeala sau resturile de alimente aflate de-a lungul marginilor de etanșare ale fermoarului sau sub supapă împiedică etanșarea corectă a pungii. Ștergeți interiorul pungii în jurul fermoarului și sub supapă și încercați din nou să sigilați punga.• Dacă ați ambalat în vid obiecte cu muchii ascuțite, este posibil ca punga să fie găurită. Înlocuiți punga dacă aceasta este găurită. Acoperiți obiectele cu muchii ascuțite folosind un material moale de protecție, de exemplu un șervețel de hârtie, și sigilați din nou.
Containerul pentru păstrarea proșpețimii FoodSaver™ nu se vedează.	<ul style="list-style-type: none">• Asigurați-vă că garnitura de cauciuc de pe interiorul capacului nu prezintă resturi de alimente și fixați-o în poziție.• Verificați marginea containerului pentru a detecta eventualele crăpături sau zgârieturi. Orice spațiu rămas poate împiedica vidarea corectă a containerului. Asigurați-vă că supapa de vidare a containerului este curată.• Verificați capacul containerului pentru a vă asigura că este închis corect la toate cele 4 colțuri; scoateți capacul și fixați-l din nou.
LED-ul de pe aparat se aprinde intermitent în culoarea roșie.	<ul style="list-style-type: none">• Acest lucru indică faptul că aparatul nu a etanșat complet containerul sau punga. Ridicați capul de vidare și asigurați-vă că ați închis corect containerul sau punga.• Asigurați-vă că rezervorul de lichid este curat, montat corect și etanș.• Coborâți capul de vidare și presați-l ferm pe supapa containerului sau pungii, apoi apăsați butonul Start. În mod normal, procesul de vidare nu va dura mai mult de 1 minut.
LED-ul de pe aparat se aprinde intermitent în culoarea verde.	<ul style="list-style-type: none">• Acest lucru indică faptul că supapa containerului sau pungii nu este fixată corect pe capul de vidare. Coborâți capul de vidare și presați-l ferm pe supapa containerului sau pungii, apoi apăsați butonul Start.

Îngrijirea și curățarea

Nu scufundați niciodată unitatea sau cablul de alimentare și stecherul în apă sau în orice alt lichid. Deconectați întotdeauna aparatul de la priză înainte de curățare.

Ștergeți corpul aparatului cu o lavetă moale, uscată.

Scoateți rezervorul după fiecare utilizare pentru a îndepărta umezeala. Pentru a scoate rezervorul, prindeți-l cu două degete și trageți-l în jos din capul de vidare. Spălați-l cu apă caldă și detergent și lăsați-l să se usuce complet la aer.

Puteți, de asemenea, scoate garnitura rezervorului pentru curățare. Spălați-o cu apă caldă și detergent și lăsați-o să se usuce complet înainte de a o monta din nou.

Asigurați-vă că orificiul de vidare nu prezintă resturi de alimente. Ștergeți-l cu o lavetă moale, uscată.

Depozitarea

Asigurați-vă că aparatul este curat și depozitați-l în poziție verticală, pe o suprafață dreaptă și orizontală, la distanță de margine, pentru a preveni răsturnarea acestuia.

Garanție

Vă rugăm să păstrați chitanța, prezența acesteia fiind solicitată în cazul oricăror solicitări de reparație acoperite de garanție.

Garanția acestui aparat este de 2 ani de la data achiziției, conform informațiilor din acest document.

În timpul perioadei de garanție, în cazul puțin probabil în care aparatul nu mai funcționează din cauza unei defecțiuni de design sau de fabricație, înapoiati-l magazinului de unde l-ați achiziționat, împreună cu bonul de casă și o copie a acestei garanții.

Drepturile și beneficiile oferite conform acestei garanții sunt suplimentare față de drepturile dvs. legale, care nu sunt afectate de această garanție. Jarden Consumer Solutions (Europe) Ltd. („JCS (Europe)”) își rezervă dreptul de a modifica acești termeni.

JCS (Europe) își asumă, pe perioada garanției, obligația de a repara sau de a înlocui gratuit aparatul sau orice componentă a aparatului care se dovedește a nu funcționa, în următoarele condiții:

- să anunțați imediat magazinul sau JCS (Europe) despre apariția problemei; și
- aparatul să nu fi fost modificat în niciun fel sau să nu fi fost supus deteriorărilor, întrebuițării greșite, abuzurilor, reparațiilor sau modificărilor efectuate de către alte persoane decât cele autorizate de JCS (Europe).

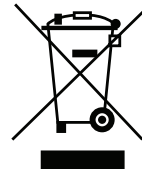
Defecțiunile care apar în urma utilizării neadecvate, deteriorării, abuzului, alimentării la tensiuni neadecvate, catastrofelor naturale, evenimentelor neprevăzute de JCS (Europe), reparației sau modificării de către o altă persoană decât cele autorizate de JCS (Europe) sau nerespectării instrucțiunilor de utilizare nu sunt acoperite de această garanție. În plus, uzura normală, incluzând, fără a se limita la, decolorările minore și zgârieturile nu sunt acoperite de această garanție.

Drepturile prevăzute în această garanție se vor aplica numai primului cumpărător și nu se extind în cazul utilizării comerciale sau comune.

Dacă aparatul dvs. are inclusă o garanție specifică țării de utilizare sau o garanție suplimentară, vă rugăm să consultați, pentru informații suplimentare, termenii și condițiile respectivei garanții și nu ale acesteia sau să contactați distribuitorul local autorizat.

Deșeurile provenite din produsele electrice nu trebuie eliminate împreună cu deșeurile menajere. Vă rugăm să le reciclați dacă aveți această posibilitate. Pentru informații suplimentare privind reciclarea și deșeurile provenite din echipamentele electrice și electronice, contactați-ne prin e-mail la adresa enquiriesEurope@jardencs.com.

Jarden Consumer Solutions (Europe) Limited
5400 Lakeside
Cheadle Royal Business Park
Cheadle
SK8 3GQ
United Kingdom



Важни предпазни мерки

Този уред може да се използва от деца на възраст над 8 години и от лица с намалени физически, сетивни или психически възможности, или без опит или познания, ако са под наблюдение или са били инструктирани за безопасна употреба на уреда и разбират опасностите, свързани с неговата експлоатацията. Децата не трябва да си играят с уреда. Почистването и поддръжката не трябва да се извършват от деца, които не са под наблюдение.

Ако захранващия кабел е повреден, трябва да бъде заменен от производителя, от негов сервизен представител или от подобни квалифицирани лица, за да няма заплахата за безопасността.

- Винаги поставяйте уреда върху стабилна, надеждна, суха и равна повърхност.
- **ВНИМАНИЕ: ТОЗИ УРЕД НЕ Е ПРЕДНАЗНАЧЕН ЗА ТЪРГОВСКА УПОТРЕБА.** Никога не използвайте уреда за цели, различни от неговото предназначение. Този уред е само за домашна употреба. Не използвайте уреда на открито.
- Никога не потапяйте каквато и да е част от уреда или захранващия кабел и щепселата във вода или някаква друга течност.
- Не използвайте уреда, ако е бил изпускан или ако има видими следи от повреда.
- Преди да пристъпите към почистване, уверете се, че уредът е изключен и че щепселът е изваден от мрежовия контакт след употреба.
- За да изключите, извадете захранващия кабел от електрическия контакт. Не дърпайте кабела, за да го изключите.
- Не използвайте удължител с уреда.
- Използвайте единствено аксесоари или приставки, препоръчани от производителя.

ЗАПАЗЕТЕ НАСТОЯЩИТЕ ИНСТРУКЦИИ

Система за вакуумиране и запечатване FoodSaver™

Защо да пакетираме с вакуум?

Излагането на хранителните продукти на въздух води до загуба на техните хранителни и вкусови свойства, причинява хладилно изгаряне и улеснява развитието на много бактерии, плесен и дрожди. Системата за вакуумно пакетироване FoodSaver™ изсмуква въздуха и запечатва храната заедно с нейния вкус и качество. Сега можете да се насладите на ползите от научно доказан метод за съхранение, с който да запазите храната свежа за до пет пъти по-дълго време.

Системата FoodSaver™ ви спестява време и пари.

- **Спестете пари.** Със системата FoodSaver™ можете да закупите на едро или от разпродажба и да вакуумирате и запечатвате храната на желаните порции, без остатъци.
- **Спестете време.** Сгответе храна за цялата седмица, пригответе порциите и ги съхранете в пликовете FoodSaver™.
- **Мариновайте за минути.** Процесът на вакуумно пакетироване отваря порите на храната така, че получавате страхотен маринован вкус само за 20 минути, вместо за цяла нощ.
- **Направете събиранията по-лесни и приятни.** Пригответе вашия специалитет и ястията за празничната трапеза предварително, за да можете да отделите повече време на гостите си.
- **Насладете се на сезонни храни или на специалитети.** Запазете бързоразвалящите се или рядко употребяваните продукти свежи за по-дълго.
- **Регулиране на порциите за диета.** Вакуумирайте и запечатвайте съобразени порции и записвайте калориите и/или количеството мазнини на плика.
- **Запазете нехранителни продукти.** Запазете сухи и подредени за екскурзия продукти за къмпинг или ветроходство. Предпазете от потъмняване полирано сребро, като сведете до минимум неговото окисляване.

Аксесоари FoodSaver™

Възползвайте се максимално от Вашия уред FoodSaver™ с лесните за употреба контейнери и пликове FoodSaver™.

Пликове за запазване на продуктите в свежо състояние с цип FoodSaver™

Пликовете FoodSaver™ имат специални каналчета, които позволяват ефективно изсмукване на въздуха. Многослойната им структура ги прави особено ефикасна бариера за кислород и влага.

Контейнери за съхранение в свежо състояние FoodSaver™

Контейнерите за съхранение в свежо състояние FoodSaver™ са лесни за употреба и идеални за вакуумно пакетироване на чувствителни продукти като мърфини и други печени изделия, течности и сухи храни.

За поръчка

За да поръчате пликове, ролки и аксесоари FoodSaver™, моля, посетете www.foodsavereurope.com и изберете вашия регион.

Части

Вижте Фиг. 1:

- | | |
|---|--------------------------|
| A Бутон за включване | E Основа |
| B Светлинен индикатор за готовност | F Отвор за вакуум |
| C Бутон за освобождаване (2 бр.) | G Резервоар |
| D Платформа | H Вакуумна глава |

Използване на системата за запазване на храните в свежо състояние

Вакуумно запечатване с контейнери за съхранение в свежо състояние FoodSaver™

Вижте Фиг. 2:

1. Поставете продукта за вакуумно запечатване в контейнера. Поставете капака върху основата на съда. Натиснете силно върху всички ъгли, за да се уверите, че капакът е запечатан.
2. Поставете контейнера върху основата, като използвате платформата за водач.
3. Натиснете двата освобождаващи бутона върху вакуумната глава, за да регулирате нейната височина. Насочвайте вакуумната глава върху клапана на контейнера, докато същият щракне. Зеленият индикатор за готовност ще светне. **Забележка:** Зеленият индикатор ще светне само ако вакуумната глава е осъществила плътен контакт с клапана на контейнера.
4. Натиснете бутона за включване, за да стартирате процеса на вакуумно запечатване. Индикаторът за вакуум на контейнера ще потъне навътре още в началото на процеса на вакуумно запечатване. Не спирайте процеса. Уредът ще спре автоматично, когато контейнерът е напълно вакуумиран и запечатан.
5. Натиснете двата бутона за освобождаване върху вакуумната глава, за да я повдигнете и след това извадете запечатания контейнер.

С помощта на контейнери за свежо съхранение FoodSaver™ можете лесно да мариновате храна. Поставете храната в контейнера, покрийте я изцяло с любимата си марината и натиснете силно капака, за да се запечата.

След това можете да изпълните стъпки 2–5 на *Вакуумно запечатване с контейнери за съхранение в свежо състояние FoodSaver™*. Оставете храната вакуумно запечатана в продължение на 20 минути, за да сте сигурни, че маринатата ще проникне в храната.

Вакуумно запечатване за запазване на продуктите в свежо състояние с пликите с цип FoodSaver™

Пликите с цип FoodSaver™ за запазване на продуктите в свежо състояние трябва да се използват само за съхранение в свежо състояние (в хладилник или шкаф), но не и във фризер. Не използвайте за вакуумно запечатване на течности.

При вакуумиране на влажни продукти внимавайте течността да не достигне до клапана на пликата с цип и при необходимост проверявайте и почиствайте резервоара на уреда.

Вижте Фиг. 3:

1. Поставете продукта за вакуумно запечатване в пликата. Поставете пликата върху основата, като използвате платформата за водач и подравнете клапана на пликата.
2. Натиснете двата освобождаващи бутона върху вакуумната глава, за да регулирате нейната височина. Насочвайте вакуумната глава върху клапана на пликата, докато същият щракне. Зеленият индикатор за готовност ще светне. **Забележка:** Зеленият индикатор ще светне само ако вакуумната глава е осъществила плътен контакт с клапана на пликата.
3. Натиснете бутона за включване, за да стартирате процеса на вакуумно запечатване. Уредът ще спре автоматично, когато пликът е напълно вакуумиран и запечатан.
4. Натиснете двата бутона за освобождаване върху вакуумната глава, за да я повдигнете и след това извадете запечатания плик.

Указания за пликите за запазване на продуктите в свежо състояние с цип FoodSaver™

- Избягвайте препълване – винаги оставайте място между съдържанието на торбата и ципа. Това осигурява място за материала на пликата да прилепне плътно към храната.
- Не пропускайте да плъзнете пръсти по ципа, за да затворите пликата, преди да го поставите върху уреда.
- Когато извършвате вакуумно пакетиране на предмети с остри краища (сухи слагети, сребърни прибори и др.), защитете пликата от пробиване чрез обвиване на предметите в мек уплътняващ материал като хартиена кърпа.

Ръководство за съхранение, указания и съвети

Вакуумно пакетиране и безопасност на храните

Процесът на вакуумно пакетиране увеличава срока на съхранение на храните чрез отстраняване на повечето въздух от запечатания контейнер, като по този начин се намалява окисляването, което оказва влияние върху хранителната стойност, вкуса и цялостното качество на храните. Отстраняването на въздуха може също така да възпрепятства развитието на микроорганизми, които при дадени условия е възможно да създадат проблеми:

За безопасното съхранение на храните от изключително значение е поддържането на ниски температури. При температури от 4°C или по-ниски можете да намалите значително развитието на микроорганизми.

Замразяване при -17°C не убива микроорганизмите, но спира тяхното развитие. За по-дълготрайно съхранение винаги замразявайте нетрайните храни, които са вакуумно пакетирани, и ги дръжте в хладилник след размразяването им. Пликовете с цип FoodSaver™ за запазване на продуктите в свежо състояние трябва да се използват само за съхранение в свежо състояние (в хладилник или шкаф), но не и във фризер.

Важно е да се отбележи, че вакуумното пакетирание НЕ замества консервирането и не може да предотврати развалянето на храните. То може единствено да забави промените в тяхното качество. Трудно е да се прогнозира времето, за което храните ще запазят най-добрия си вкус, вид или текстура, т.к. това зависи от датата на производство и състоянието на хранителния продукт към момента на неговото вакуумно пакетирание.

ВАЖНО: Вакуумното пакетирание НЕ замества съхранението в хладилник или фризер. Всички нетрайни храни, които изискват съхранение в хладилник, трябва да бъдат съхранявани в хладилник или да бъдат замразени и след вакуумното им пакетирание. За да се избегнат възможни заболявания, не използвайте повторно пликовете, след като сте съхранявали в тях сурово месо, сурова риба или мазни храни.

Размразяване и претопляне на вакуумно пакетирани храни



Винаги размразявайте храната в хладилник или микровълна фурна – не размразявайте нетрайни храни на стайна температура.

За подгриване в микровълнова фурна на храни в контейнер за съхранение в свежо състояние FoodSaver™ освободете вакуумния клапан и дръжте капака поставен.

ВАЖНО: Торбите с цип FoodSaver™ Fresh Zipper никога не трябва да се използват в микровълнова печка с цел притопляне или размразяване на храни.

Указания за подготовка

Месо



Телешкото месо може да изглежда по-тъмно след вакуумното запечатване поради изсмукването на кислорода. Това не е признак, че месото е развалено.

Твърди сирена



За да запазите сиренето свежо, го запечатвайте вакуумно след всяка употреба. Когато сте готови за повторно запечатване на сиренето, само го поставете обратно в контейнер за съхранение в свежо състояние FoodSaver™ или плик за запазване на продуктите в свежо състояние с цип и го вакуумирайте отново.

ВАЖНО: Поради опасността от анаеробни бактерии, меките сирена не трябва никога да се запечатват с вакуум.

Зеленчуци



Зеленчуците трябва да се бланшират преди вакуумното им запечатване. Този процес спира действието на ензимите, което би могло да доведе до загуба на вкус, цвят и текстура.

За да бланширате зеленчуци, поставете ги във вряща вода или в микровълнова фурна, докато се сварят, но все още са хрупкави. Времето за бланширане е от 1 до 2 минути за листни зеленчуци и грах; 3 до 4 минути за сладък грах, нарязани тиквички или броколи; 5 минути за моркови; и 7 до 11 минути за царевица на кочани.

След бланширането потопете зеленчуците в студена вода, за да спрете процеса на варене. Последната стъпка е да изсушите зеленчуците върху кърпа преди вакуумното запечатване.

Забележка: Някои храни (включително броколи, брюкселско зеле, зелено, цветно зеле, кале, ряпа и банани) изпускат по естествен начин газове по време на съхранение. Поради това след бланширане те трябва да се съхраняват само във фризер.

Когато се замразяват зеленчуци, най-добре е същите да се замразят предварително 1–2 часа или докато се втвърдят. За да замразите зеленчуци на порции, първо поставете същите върху хартия за печене и ги разпределете така, че да не се докосват. Това предотвратява замръзването им заедно в блок. Когато замръзнат, махнете зеленчуците от хартията за печене и ги вакуумирайте в контейнер за съхранение в свежо състояние FoodSaver™. След вакуумното запечатване върнете зеленчуците във фризера.

ВАЖНО: Поради опасността от анаеробни бактерии, пресните гъби, лук и чесън не трябва никога да се запечатват вакуумно.

Листни зеленчуци



Първо измийте зеленчуците и след това ги изсушете с кърпа или центрофуга за салата. След като бъдат изсушени ги поставете в контейнер за съхранение в свежо състояние FoodSaver™ и ги запечатайте вакуумно по обичайния начин. Съхранявайте ги в хладилник.

Плодове



Можете да съхранявате чрез вакуумно запечатване на порции за печене или в любими Ваши комбинации за целогодишно лесно приготвяне на плодови салати.

При съхранението в хладилник ние препоръчваме използване на контейнер за съхранение в свежо състояние FoodSaver™.

Печени продукти



За вакуумно запечатване на меки или рохко печени продукти ние препоръчваме използване на контейнер за съхранение в свежо състояние FoodSaver™, за да се запази формата на продуктите. За да пестите време, подгответе тесто за курабии, блатове за пай, цели пайове или предварително приготвена смес от сухи съставки и ги запечатайте вакуумно за употреба по-късно.

Кафе и прахообразни храни



За да се избегне засмукването на частици храна от вакуумната помпа, поставете филтър за кафе или хартиена кърпа върху горната част на плика или контейнера преди да запечатате вакуумно. Можете също да поставите храната в нейния оригинален плик вътре в плик за запазване на продуктите в свежо състояние с цип FoodSaver™ или да използвате контейнер за съхранение в свежо състояние FoodSaver™ за вакуумно запечатване.

Течности



Изчакайте течностите да изстинат до стайна температура, преди да ги вакуумирате и запечатате в контейнер за съхранение в свежо състояние FoodSaver™. Вакуумно запечатване на горещи течности може да доведе до загуба на вакуум.

Отстраняване на неизправности

Проблем	Решение
Уредът не изсмуква въздуха от плик за запазване на продуктите в свежо състояние с цип FoodSaver™.	<ul style="list-style-type: none">• Уверете се, че пликът е добре затворен.• Въздушният клапан не се намира върху плоска повърхност. Преместете плика така, че въздушният клапан да легне равно върху платформата на уреда, без храна под него.
Вакуумната дюза и въздушният клапан не правят контакт.	<ul style="list-style-type: none">• Уверете се, че вакуумната дюза е центрирана върху сивия кръг и е поставена в равно положение върху въздушния клапан. Приложете умерен натиск.
Въздухът е изсмукан от плика, но влиза обратно в него.	<ul style="list-style-type: none">• Проверете ципа и клапана на плика. Остатъци от храна в ципа или в клапана могат да предизвикват теч и навлизане на въздух.• Понякога влага или материал от храна по ръбовете на уплътняване на ципа или под клапана възпрепятства нормалното уплътняване на плика. Забършете в плика, около ципа и под клапана и се опитайте да го запечатате отново.• Ако запечатвате храна с остри ръбове, тогава е възможно пликът да се е пробил. Използвайте нов плик, ако пликът е пробит. Обвийте храните с остри ръбове в мек уплътняващ материал, като хартиена кърпа, и запечатайте отново.
Контейнерът за съхранение в свежо състояние FoodSaver™ не се вакуумира.	<ul style="list-style-type: none">• Уверете се, че върху гуменото уплътнение от вътрешната страна на капака няма храна и го закрепете на мястото му.• Проверете ръба на контейнера за пукнатини или драскотини. Всякакви процели могат да възпрепятстват нормалното вакуумиране. Уверете се, че вакуумният клапан на контейнера е чист.• Уверете се, че капакът на контейнера е затворен добре във всичките 4 ъгъла – махнете капака и го натиснете отново.
Светодиодният индикатор на уреда мига в червено.	<ul style="list-style-type: none">• Това означава, че уредът не уплътнява цялостно контейнера или плика. Повдигнете вакуумната глава и се уверете, че контейнерът или пликът са затворени правилно.• Уверете се, че резервоарът за течност е чист и е поставен правилно така, че да няма теч на въздух.• Преместете вакуумната глава надолу и я натиснете здраво върху клапана на контейнера или на плика, и натиснете бутона за включване. Процесът на вакуумиране на трябва да продължава повече от 1 минута.
Светодиодният индикатор на уреда мига в зелено.	<ul style="list-style-type: none">• Това показва, че клапанът на контейнера или на плика не е присъединен правилно към вакуумната глава. Преместете вакуумната глава надолу и я натиснете здраво върху клапана на контейнера или на плика, и натиснете бутона за включване.

Поддръжка и почистване

Винаги изключвайте уреда от контакта преди почистване.

Избършете корпуса на уреда с мека и суха кърпа.

Изваждайте резервоара след всяка употреба за почистване от влага. За да махнете резервоара, задръжте го с два пръста и го издърпайте надолу от вакуумната глава. Измийте го с топла сапунена вода и го оставете да изсъхне добре.

Уплътнението на резервоара може също да се сваля за почистване. Измийте го с топла сапунена вода и го оставете да изсъхне добре, преди да го поставите обратно.

Проверете дали в отвора за вакуум няма остатъци от храна. Забършете го с мека и суха кърпа.

Съхранение

Уверете се, че уредът е чист и го съхранявайте във вертикално положение на плоска, хоризонтална повърхност далеч от ръба, където не може лесно да се преобърне.

Гаранция

Моля, пазете касовата бележка, тъй като ще ви бъде необходима за каквито и да е рекламации по настоящата гаранция.

Този уред има гаранция от 2 години, след като го закупите, както е описано в настоящия документ.

По време на този гаранционен срок, ако в малко вероятния случай уредът спре да функционира поради неизправност в конструкцията или в изработката, моля, върнете го обратно на мястото, откъдето сте го закупили, с вашата касова бележка и копие на настоящата гаранция.

Правата и ползите по настоящата гаранция са в допълнение към вашите установени със закон права, които не са засегнати от настоящата гаранция. Единствено Jarden Consumer Solutions (Europe) Ltd. („JCS (Europe)“) има правото да променя тези условия.

JCS (Europe) поема задължението в рамките на гаранционния срок да ремонтира безплатно или да замени уреда, или каквото и да е част от уреда, ако се установи, че не работи правилно, при условие че:

- надлежно уведомите мястото на закупуване или JCS (Europe) за проблема; и
- уредът не е бил модифициран по какъвто и да е начин или не е бил предмет на неправилна употреба, злоупотреба, ремонт или изменение от лице, което не е оторизираното от JCS (Europe).

Неизправности, появили се в резултат от неправилна употреба, повреда, злоупотреба, използване с неправилно напрежение, природни бедствия, събития извън контрола на JCS (Europe), ремонт или модификация от лице, различно от оторизираното от JCS (Europe) лице, или в резултат от неспазване на инструкциите за употреба, не се покриват от настоящата гаранция. Освен това нормалното износване на уреда, включително, но не само, леко обезцветяване и драскотини, не се покриват от настоящата гаранция.

Правата по настоящата гаранция се прилагат само за първоначалния купувач и не продължават действието и валидността си при търговска или обща употреба.

Ако вашият уред включва притурка със специфична за страната гаранция, моля, вижте сроковете и условията на тази гаранция вместо настоящата гаранция, или се обърнете към вашия местен оторизиран дилър за повече информация.

Отпадъците от електрически продукти не трябва да се изхвърлят в контейнерите за отпадъци от домакинствата. Моля, рециклирайте такива отпадъци, където съществуват съоръжения за това. Изпратете ни имейл на: enquiriesEurope@jardencs.com за информация относно по-нататъшно рециклиране и относно WEEE (директивата за отпадъците от електрически и електронно оборудване (OEEO)).

Jarden Consumer Solutions (Europe) Limited
5400 Lakeside
Cheadle Royal Business Park
Cheadle
SK8 3GQ
United Kingdom



Σημαντικές Προφυλάξεις

Η συσκευή αυτή μπορεί να χρησιμοποιηθεί από παιδιά 8 ετών και άνω και από άτομα με μειωμένες σωματικές, αισθητήριες ή διανοητικές ικανότητες ή έλλειψη εμπειρίας και γνώσης, εφόσον επιτηρούνται ή έχουν λάβει οδηγίες για ασφαλή χρήση της συσκευής και έχουν επίγνωση των κινδύνων που ενέχονται. Μην αφήνετε τα παιδιά να παίζουν με τη συσκευή. Δεν πρέπει να γίνεται καθαρισμός και συντήρηση από παιδιά χωρίς επιτήρηση.

Αν το καλώδιο παροχής έχει φθαρεί, πρέπει να αντικατασταθεί από τον κατασκευαστή, τον αντιπρόσωπο σέρβις ή παρόμοια καταρτισμένα άτομα για την αποφυγή κινδύνου.

- Να χρησιμοποιείτε πάντα τη συσκευή σε σταθερή, ασφαλή, στεγνή και επίπεδη επιφάνεια.
- ΠΡΟΣΟΧΗ: Η ΣΥΣΚΕΥΗ ΑΥΤΗ ΔΕΝ ΕΙΝΑΙ ΓΙΑ ΕΜΠΟΡΙΚΗ ΧΡΗΣΗ. Μην χρησιμοποιείτε ποτέ αυτή τη συσκευή για οτιδήποτε άλλο εκτός από την προβλεπόμενη χρήση της. Η συσκευή αυτή είναι μόνο για οικιακή χρήση. Μην χρησιμοποιείτε τη συσκευή σε εξωτερικό χώρο.
- Μην βυθίζετε ποτέ κάποιο μέρος της συσκευής ή το καλώδιο ρεύματος και το βύσμα στο νερό ή οποιοδήποτε άλλο υγρό.
- Μην χρησιμοποιείτε τη συσκευή αν έχει πέσει ή αν υπάρχουν εμφανή σημάδια φθοράς.
- Βεβαιωθείτε ότι η συσκευή είναι απενεργοποιημένη και ότι το βύσμα έχει αφαιρεθεί από την πρίζα μετά τη χρήση, πριν τον καθαρισμό.
- Για να αποσυνδέσετε τη συσκευή, αφαιρέστε το καλώδιο τροφοδοσίας από την ηλεκτρική πρίζα. Μην αποσυνδέετε τη συσκευή τραβώντας το καλώδιο.
- Μην χρησιμοποιείτε καλώδιο προέκτασης με τη συσκευή.
- Χρησιμοποιείτε μόνο αξεσουάρ ή εξαρτήματα που προτείνονται από τον κατασκευαστή.

ΦΥΛΑΞΤΕ ΑΥΤΕΣ ΤΙΣ ΟΔΗΓΙΕΣ

Σύστημα σφράγισης στο κενό FoodSaver™

Γιατί να συσκευάζετε στο κενό;

Η έκθεση στον αέρα κάνει τα τρόφιμα να χάνουν τη θρεπτική αξία και τη γεύση τους, ενώ επιτρέπει σε πολλά είδη βακτηρίων, μούχλας και μυκήτων να αναπτυχθούν. Το σύστημα συσκευασίας στο κενό FoodSaver™ αφαιρεί τον αέρα και σφραγίζει όλη τη γεύση και την ποιότητα των τροφίμων. Τώρα μπορείτε να απολαύσετε τα οφέλη από μια επιστημονικά αποδεδειγμένη μεθόδου φύλαξης τροφίμων που διατηρεί τα τρόφιμα φρέσκα μέχρι και πέντε φορές περισσότερο.

Το σύστημα FoodSaver™ σας εξοικονομεί χρόνο και χρήμα.

- **Ξοδέψτε λιγότερα χρήματα.** Με το σύστημα FoodSaver™ μπορείτε να αγοράσετε σε χονδρική ή με έκπτωση και να συσκευάσετε στο κενό τα τρόφιμα σας στις επιθυμητές μερίδες, χωρίς να πετάτε φαγητό.
- **Εξοικονομήστε περισσότερο χρόνο.** Μαγειρέψτε από πριν για την εβδομάδα, προετοιμάζοντας τα γεύματά σας και αποθηκευόντάς τα σε σακούλες FoodSaver™.
- **Μαρινάρετε σε λίγα λεπτά.** Η συσκευασία στο κενό ανοίγει τους πόρους του φαγητού με αποτέλεσμα να επιτυγχάνετε τέλειο μαρινάρισμα σε μόλις 20 λεπτά σε αντίθεση με το μαρινάρισμα που διαρκεί ολόκληρο το βράδυ.
- **Διευκολύνετε τη διασκέδασή σας.** Προετοιμάστε το καλύτερο πιάτο σας από πριν, προκειμένου να μπορείτε να περνάτε ποιοτικό χρόνο με τους καλεσμένους σας.
- **Απολαύστε εποχιακά φαγητά ή σπεσιαλιτέ.** Διατηρείστε φρέσκα τα ιδιαίτερα ευαλλοιώτα τρόφιμα ή τα προϊόντα που δεν χρησιμοποιείτε συχνά για μεγαλύτερο χρονικό διάστημα.
- **Ελέγξτε τις μερίδες για διαίτα.** Συσκευάστε στο κενό λογικές μερίδες και γράψτε πάνω στη σακούλα τις θερμίδες και την περιεκτικότητα σε λίπος.
- **Προστατέψτε μη φαγώσιμα είδη.** Διατηρήστε τις προμήθειες για το κάμπινγκ και τη βαρκάδα στεγνές και οργανωμένες για τις εξορμήσεις σας. Αποφύγετε το θάμπωμα των γυαλισμένων ασημικών μειώνοντας την έκθεση στον αέρα.

Αξεσουάρ του FoodSaver™

Ωφεληθείτε σε μέγιστο βαθμό από τη συσκευή σας FoodSaver™ με τα εύχρηστα δοχεία και τις σακούλες FoodSaver™.

Σακούλες φρεσκάδας FoodSaver™ με φερμουάρ

Σακούλες FoodSaver™ με φερμουάρ με τα ειδικές αυλακώσεις για την αποτελεσματική αφαίρεση του αέρα. Η δομή με τις πολλές πιέτες τις κάνει ένα ιδιαίτερα αποτελεσματικό εμπόδιο για το οξυγόνο και την υγρασία.

Δοχεία φρεσκάδας FoodSaver™

Τα δοχεία φρεσκάδας FoodSaver™ είναι απλά στη χρήση και ιδεώδη για το πακετάρισμα σε κενό αέρα ευαίσθητων ειδών όπως κεκάκια και άλλα είδη αρτοποιίας, υγρά και ξηρά αγαθά.

Παραγγελία

Για να παραγγείλετε σακούλες, ρολά και αξεσουάρ FoodSaver™, επισκεφθείτε τη διεύθυνση www.foodsavereurope.com και, στη συνέχεια, επιλέξτε την περιοχή σας.

Μέρη

Βλ εικ. 1:

- | | |
|------------------------------------|-----------------------|
| A Κουμπί εκκίνησης | E Βάση |
| B Φως ετοιμότητας | F Οπή κενού |
| C Κουμπί απελευθέρωσης (x2) | G Δοχείο |
| D Πλατφόρμα | H Κεφαλή κενού |

Χρήση του Συστήματος Συντήρησης Φρέσκων Τροφών σας

Στεγανοποίηση στο κενό με δοχεία φρεσκάδας FoodSaver™

Βλ εικ. 2:

1. Τοποθετήστε το αντικείμενο που πρέπει να στεγανοποιηθεί μέσα στο δοχείο. Τοποθετήστε το καπάκι στη βάση του δοχείου. Πιέστε σταθερά σε όλες τις γωνίες για να βεβαιωθείτε ότι το καπάκι είναι σφραγισμένο.
2. Τοποθετήστε το δοχείο στη βάση χρησιμοποιώντας την πλατφόρμα σαν οδηγό.
3. Πιέστε και τα δύο κουμπιά απελευθέρωσης στην κεφαλή κενού για να ρυθμίσετε το ύψος της. Οδηγήστε την κεφαλή κενού στη βαλβίδα του δοχείου μέχρι να κάνει κλικ. Το πράσινο φως ετοιμότητας θα ανάψει.
Σημείωση: Το πράσινο φως θα ανάψει μόνο όταν η κεφαλή κενού έχει έρθει σε ασφαλή επαφή με τη βαλβίδα του δοχείου.
4. Πιέστε το κουμπί εκκίνησης για να αρχίσει η διαδικασία στεγανοποίησης. Ο δείκτης κενού στο δοχείο, θα κάνει κούλωμα προς τα μέσα στην αρχή της διαδικασίας στεγανοποίησης. Μη σταματάτε αυτή τη διαδικασία. Η συσκευή θα σταματήσει αυτόματα όταν το δοχείο στεγανοποιηθεί πλήρως.
5. Πιέστε και τα δύο κουμπιά απελευθέρωσης στην κεφαλή κενού για να την σηκώσετε και έπειτα βγάλτε το στεγανοποιημένο δοχείο.

Μπορείτε να μαρινάρετε τρόφιμα γρήγορα χρησιμοποιώντας τα δοχεία φρεσκάδας FoodSaver™. Βάλτε το φαγητό στο δοχείο, σκεπάστε το εντελώς με την αγαπημένη σας μαρινάδα και πιέστε το καπάκι γερά για να σφραγιστεί.

Μπορείτε να ακολουθήσετε τα βήματα 2–5 της *Στεγανοποίησης στο κενό με δοχεία φρεσκάδας FoodSaver™*. Αφήστε το φαγητό στεγανοποιημένο για 20 λεπτά για να βεβαιωθείτε ότι η μαρινάδα διαπερνά το φαγητό.

Στεγανοποίηση στο κενό με σακούλες φρεσκάδας FoodSaver™ με φερμουάρ

Οι σακούλες φρεσκάδας FoodSaver™ με φερμουάρ θα πρέπει να χρησιμοποιούνται μόνο για νωπή φύλαξη (στο ψυγείο ή το ντουλάπι) και όχι στην κατάψυξη. Μην τις χρησιμοποιείτε για να στεγανοποιήσετε υγρά.

1. Τοποθετήστε το αντικείμενο που πρέπει να στεγανοποιηθεί μέσα στη σακούλα. Τοποθετήστε τη σακούλα στη βάση χρησιμοποιώντας την πλατφόρμα σαν οδηγό και ευθυγραμμίστε τη βαλβίδα της σακούλας.
2. Πιέστε και τα δύο κουμπιά απελευθέρωσης στην κεφαλή κενού για να ρυθμίσετε το ύψος της. Οδηγήστε την κεφαλή κενού στη βαλβίδα της σακούλας μέχρι να κάνει κλικ. Το πράσινο φως ετοιμότητας θα ανάψει.
Σημείωση: Το πράσινο φως θα ανάψει μόνο όταν η κεφαλή κενού έχει έρθει σε ασφαλή επαφή με τη βαλβίδα της σακούλας.
3. Πιέστε το κουμπί εκκίνησης για να αρχίσει η διαδικασία στεγανοποίησης. Η συσκευή θα σταματήσει αυτόματα όταν η σακούλα στεγανοποιηθεί πλήρως.
4. Πιέστε και τα δύο κουμπιά απελευθέρωσης στην κεφαλή κενού για να την σηκώσετε και έπειτα βγάλτε τη στεγανοποιημένη σακούλα.

Συμβουλές για σακούλες φρεσκάδας FoodSaver™ με φερμουάρ

- Αποφεύγετε το παραγέμισμα. Αφήνετε πάντα κενό μεταξύ του περιεχομένου της σακούλας και του φερμουάρ. Αυτό αφήνει χώρο στο υλικό της σακούλας να σφραγιστεί καλά έναντι του φαγητού.
- Βεβαιωθείτε ότι έχετε σύρει τα δάχτυλά σας κατά μήκος του φερμουάρ για να κλείσετε τη σακούλα πριν την τοποθετήσετε στη συσκευή.
- Όταν στεγανοποιείτε αντικείμενα με αιχμηρά άκρα (ξηρά μακαρόνια, ασημικά, κλπ), προστατεύετε πάντα τη σακούλα από τα τρυπήματα τυλίγοντας τα αντικείμενα σε μαλακό προστατευτικό υλικό, όπως χαρτί κουζίνας.

Οδηγός, ιδέες και συμβουλές αποθήκευσης

Συσκευασία στο κενό και ασφάλεια τροφίμων

Η διαδικασία συσκευασίας στο κενό επεκτείνει τη ζωή των τροφίμων με την αφαίρεση του μεγαλύτερου μέρους του αέρα από το σφραγισμένο δοχείο, μειώνοντας έτσι την οξειδωση, η οποία επηρεάζει τη θρεπτική αξία, τη γεύση και τη συνολική ποιότητα. Επίσης, η αφαίρεση του αέρα μπορεί να εμποδίσει την ανάπτυξη μικροοργανισμών που, υπό ορισμένες συνθήκες, μπορούν να προκαλέσουν προβλήματα:

Για να συντηρείτε τα τρόφιμα με ασφάλεια, είναι κρίσιμης σημασίας να διατηρείτε χαμηλές θερμοκρασίες. Μπορείτε να μειώσετε σημαντικά την ανάπτυξη μικροοργανισμών σε θερμοκρασίες κάτω των 4°C.

Το πάγωμα στους -17°C δεν σκοτώνει τους μικροοργανισμούς, αλλά σταματά την ανάπτυξή τους. Για αποθήκευση μεγάλης διάρκειας, να καταψύχετε πάντα ευαλλοιώτα τρόφιμα που έχουν συσκευαστεί στο κενό, και να τα κρατάτε στη συντήρηση αφού τα ξεπαγώσετε. Οι σακούλες φρεσκάδας FoodSaver™ με φερμουάρ θα πρέπει να χρησιμοποιούνται μόνο για νωπή φύλαξη (στο ψυγείο ή το ντουλάπι) και όχι στην κατάψυξη.

Είναι σημαντικό να σημειωθεί ότι η συσκευασία στο κενό ΔΕΝ αντικαθιστά την κονσερβοποίηση και δεν μπορεί να αναστρέψει την αλλοίωση των τροφίμων. Μπορεί απλά να επιβραδύνει τις αλλαγές στην ποιότητα. Είναι δύσκολο να προβλεφθεί για πόσο καιρό θα διατηρηθούν η άριστη γεύση, η εμφάνιση ή η υφή καθώς αυτά εξαρτώνται από το πόσο φρέσκα και την κατάσταση των τροφίμων την ημέρα της συσκευασίας στο κενό.

ΣΗΜΑΝΤΙΚΟ: Η συσκευασία στο κενό ΔΕΝ αντικαθιστά τη συντήρηση στο ψυγείο ή την κατάψυξη. Ευαλλοιώτα τρόφιμα εξακολουθούν να χρειάζεται να τοποθετούνται στη συντήρηση του ψυγείου ή την κατάψυξη μετά τη συσκευασία τους στο κενό. Για να αποφύγετε πιθανές ασθένειες, μην χρησιμοποιείτε ξανά σακούλες μετά την αποθήκευση νωπού κρέατος, νωπού ψαριού ή λιπαρών τροφών.

Απόψυξη και ξαναζέσταμα στεγανοποιημένων τροφίμων



Αποψύχετε πάντα τα τρόφιμα στο ψυγείο ή σε φούρνο μικροκυμάτων - μην αποψύχετε ευαίσθητα τρόφιμα σε θερμοκρασία δωματίου.

Για να ξαναζεστάνετε τρόφιμα που βρίσκονται σε δοχείο φρεσκάδας FoodSaver™ σε φούρνο μικροκυμάτων, απελευθερώστε τη βαλβίδα κενού και κρατήστε το καπάκι.

ΣΗΜΑΝΤΙΚΟ: Οι σακούλες φρεσκάδας FoodSaver™ με φερμουάρ δεν θα πρέπει να χρησιμοποιούνται ποτέ σε φούρνους μικροκυμάτων για το ξαναζέσταμα ή το ξεπάγωμα των τροφίμων.

Οδηγίες προετοιμασίας

Κρέας



Το μοσχάρι μπορεί να φαίνεται σκουρότερο μετά τη στεγανοποίηση λόγω της αφαίρεσης του οξυγόνου. Αυτό δεν είναι ένδειξη αλλοίωσης.

Σκληρά τυριά



Για να διατηρήσετε το τυρί φρέσκο, στεγανοποιείτε το μετά από κάθε χρήση. Όταν είστε έτοιμοι να στεγανοποιήσετε πάλι το τυρί βάλτε το πάλι μέσα στο δοχείο ή τη σακούλα φρεσκάδας FoodSaver™ και στεγανοποιήστε και πάλι.

ΣΗΜΑΝΤΙΚΟ: Λόγω του κινδύνου αναερόβιων βακτηρίων, τα μαλακά τυριά δεν πρέπει ποτέ να στεγανοποιούνται.

Λαχανικά



Τα λαχανικά πρέπει να ζεματιστούν πριν στεγανοποιηθούν. Η διαδικασία αυτή σταματά τη δράση των ενζύμων που θα μπορούσε να οδηγήσει σε απώλεια της γεύσης, χρώματος και υφής.

Για το ζεμάτισμα των λαχανικών, βάλτε τα σε βραστό νερό ή στο φούρνο μικροκυμάτων μέχρι να μαγειρευτούν αλλά να είναι ακόμα τραγανά. Ο χρόνος ζεματίσματος ποικίλει από 1 με 2 λεπτά για φυλλώδη λαχανικά και αρακά, 3 με 4 λεπτά για τα μπιζέλια, κολοκυθάκι κομμένο σε φέτες κολοκυθάκι ή μπρόκολο, 5 λεπτά για τα καρότα και, 7 με 11 λεπτά για το καλαμπόκι.

Μετά το ζεμάτισμα βυθίστε τα λαχανικά σε δροσερό νερό για να σταματήσει η διαδικασία μαγειρέματος. Τέλος, στεγνώστε τα λαχανικά σε μια πετσέτα πριν τα στεγανοποιήσετε.

Σημείωση: Μερικά τρόφιμα (που περιλαμβάνουν τα μπρόκολα, τα λαχανάκια Βρυξελλών, το λάχανο, το κουνουπίδι, τις λαχανίδες, τα γογγύλια και τις μπανάνες) φυσικά εκπέμπουν αέρια κατά την αποθήκευση. Συνεπώς, μετά το ζεμάτισμα πρέπει να φυλάσσονται μόνο στον καταψύκτη.

Όταν καταψύχετε λαχανικά, το καλύτερο είναι να τα προ-ψύξετε για 1-2 ώρες ή μέχρι να καταψυχθούν εντελώς. Για να καταψύξετε λαχανικά σε ξεχωριστές μερίδες, βάλτε τα πρώτα σε ένα ταψί και απλώστε τα ώστε να μην ακουμπούν το ένα το άλλο. Αυτό τα εμποδίζει να καταψυχθούν μαζί σε μια μάζα. Όταν καταψυχθούν, βγάλτε τα λαχανικά από το ταψί και στεγανοποιήστε τα σε ένα δοχείο φρεσκάδας FoodSaver™. Μετά τη στεγανοποίηση, επιστρέψτε τα λαχανικά στον καταψύκτη.

ΣΗΜΑΝΤΙΚΟ: Λόγω του κινδύνου αναερόβιων βακτηρίων, φρέσκα μανιτάρια, κρεμμύδι και σκόρδο δεν πρέπει ποτέ να στεγανοποιούνται.

Φυλλώδη λαχανικά



Πρώτα πλύνετε τα λαχανικά και μετά στεγνώστε τα με μια πετσέτα ή με ένα στραγγιστήρι σαλάτας. Μόλις στεγνώσουν, βάλτε τα σε ένα δοχείο φρεσκάδας FoodSaver™ και στεγανοποιήστε τα κανονικά. Φύλαξη σε ψυγείο.

Φρούτα



Μπορείτε να στεγανοποιήσετε μερίδες για ψήσιμο ή στους αγαπημένους σας συνδυασμούς για εύκολη φρουτοσαλάτα όλο το χρόνο. Αν τα φυλάτε σε ψυγείο, συνιστούμε τη χρήση ενός δοχείου φρεσκάδας FoodSaver™.

Είδη αρτοποιίας



Για να στεγανοποιήσετε μαλακά ή ελαφριά είδη αρτοποιίας, συνιστούμε τη χρήση ενός δοχείου φρεσκάδας FoodSaver™ έτσι ώστε να διατηρήσουν το σχήμα τους. Για να εξοικονομήσετε χρόνο, φτιάξτε ζύμη μπισκότων, βάσεις για πίτες, ολόκληρες πίτες ή ανακατέψτε ξερά υλικά εκ των προτέρων και στεγανοποιήστε τα για να τα χρησιμοποιήσετε αργότερα.

Καφές και τρόφιμα σε σκόνη



Για να εμποδίσετε σωματίδια από τρόφιμα να απορροφηθούν από την αντλία κενού, τοποθετήστε ένα φίλτρο καφέ ή μια χαρτοπετσέτα στην κορυφή της σακούλας ή του δοχείου πριν την στεγανοποίηση. Μπορείτε επίσης να βάλετε τα τρόφιμα στην αρχική τους συσκευασία μέσα σε μια σακούλα φρεσκάδας FoodSaver™ με φερμουάρ ή να χρησιμοποιήσετε ένα δοχείο φρεσκάδας FoodSaver™ για να στεγανοποιήσετε.

Υγρά



Περιμένετε τα ζεστά υγρά να φτάσουν θερμοκρασία δωματίου πριν τα στεγανοποιήσετε σε ένα δοχείο φρεσκάδας FoodSaver™. Η στεγανοποίηση ζεστών υγρών μπορεί να έχει σαν αποτέλεσμα απώλεια κενού.

Επίλυση προβλημάτων

Πρόβλημα	Λύση
Η συσκευή δεν αφαιρεί αέρα από την σακούλα φρεσκάδας FoodSaver™ με φερμουάρ.	<ul style="list-style-type: none">Βεβαιωθείτε ότι η σακούλα είναι καλά κλειστή.Η βαλβίδα αέρα δεν είναι σε μια επίπεδη επιφάνεια. Επανατοποθετήστε τη σακούλα έτσι ώστε η βαλβίδα αέρα να είναι επίπεδη στην πλατφόρμα της συσκευής χωρίς τροφή από κάτω.
Το ακροφύσιο κενού και η βαλβίδα αέρα δεν κάνουν επαφή.	<ul style="list-style-type: none">Βεβαιωθείτε ότι το ακροφύσιο κενού βρίσκεται στο κέντρο πάνω από το γκριζο κύκλο και είναι σε επίπεδη θέση πάνω στη βαλβίδα αέρα. Ασκήστε μέτρια πίεση.
Ο αέρας αφαιρέθηκε από τη σακούλα αλλά τώρα έχει ξαναμπεί αέρας.	<ul style="list-style-type: none">Εξετάστε το φερμουάρ και τη βαλβίδα της σακούλας. Υπολείμματα τροφών στο φερμουάρ ή τη βαλβίδα μπορεί να προκαλέσουν διαρροή και να επιτρέψουν την είσοδο αέρα.Μερικές φορές υγρασία ή υλικά τροφίμων κατά μήκος των άκρων που κλείνουν το φερμουάρ ή κάτω από τη βαλβίδα εμποδίζουν τη σωστή στεγανοποίηση της σακούλας. Σκουπίστε το εσωτερικό της σακούλας γύρω από το φερμουάρ και κάτω από τη βαλβίδα και προσπαθήστε να στεγανοποιήσετε και πάλι.Αν στεγανοποιείτε αιχμηρά είδη τροφίμων, η σακούλα μπορεί να έχει τρυπήσει. Χρησιμοποιήστε μια νέα σακούλα αν υπάρχει τρύπα. Καλύψτε αιχμηρά είδη τροφίμων με μαλακό προστατευτικό υλικό, όπως χαρτί κουζίνας και στεγανοποιήστε και πάλι.
Το δοχείο φρεσκάδας FoodSaver™ δεν στεγανοποιεί.	<ul style="list-style-type: none">Βεβαιωθείτε ότι ο λαστιχένιος σύνδεσμος στεγανοποίησης στο εσωτερικό του καπακιού δεν έχει φαγητό και ασφαλίστε τον στη θέση του.Εξετάστε το χείλος του δοχείου για ρωγμές ή γρατσουνιές. Τυχόν κενά μπορεί να εμποδίσουν τα δοχεία να στεγανοποιηθούν σωστά. Βεβαιωθείτε ότι η βαλβίδα κενού του δοχείου είναι καθαρή.Βεβαιωθείτε ότι το καπάκι του δοχείου έχει κλείσει καλά σε όλες τις 4 γωνίες. Αφαιρέστε και πάλι το καπάκι και πιάστε.
Το φως LED στη συσκευή αναβοσβήνει κόκκινο.	<ul style="list-style-type: none">Αυτό υποδεικνύει ότι η συσκευή δεν στεγανοποίησε πλήρως το δοχείο ή τη σακούλα. Σηκώστε την κεφαλή κενού και βεβαιωθείτε ότι το δοχείο ή η σακούλα είναι σωστά κλεισμένα.Βεβαιωθείτε ότι το δοχείο υγρών είναι καθαρό και τοποθετημένο σωστά ώστε να μην υπάρχει διαρροή αέρα.Μετακινήστε την κεφαλή κενού κάτω και πιάστε τη σταθερά πάνω στη βαλβίδα του δοχείου ή της σακούλας και πατήστε το κουμπί εκκίνησης. Η διαδικασία στεγανοποίησης δεν πρέπει να διαρκεί περισσότερο από 1 λεπτό.
Το φως LED στη συσκευή αναβοσβήνει πράσινο.	<ul style="list-style-type: none">Αυτό υποδεικνύει ότι η βαλβίδα του δοχείου ή της σακούλας δεν είναι συνδεδεμένα σωστά με την κεφαλή κενού. Μετακινήστε την κεφαλή κενού κάτω και πιάστε τη σταθερά πάνω στη βαλβίδα του δοχείου ή της σακούλας και πατήστε το κουμπί εκκίνησης.

Φροντίδα και καθαρισμός

Βγάζετε πάντα τη συσκευή από την πρίζα πριν την καθαρίσετε.

Σκουπίστε το σώμα της συσκευής με ένα μαλακό, στεγνό πανί.

Αφαιρείτε το δοχείο μετά από κάθε χρήση για να το καθαρίσετε από την υγρασία. Για να αφαιρέσετε το δοχείο, κρατήστε το με δύο δάκτυλα και τραβήξτε το από την κεφαλή κενού. Πλύνετε σε ζεστό νερό με σαπουνάδα και αφήστε το να στεγνώσει καλά στον αέρα.

Ο σύνδεσμος στεγανοποίησης στο δοχείο μπορεί επίσης να αφαιρεθεί για καθαρισμό. Πλύνετε σε ζεστό νερό με σαπουνάδα και αφήστε το να στεγνώσει καλά πριν τον επανατοποθετήσετε.

Ελέγξτε ότι η οπή κενού είναι ελεύθερη από υπολείμματα τροφών. Σκουπίστε με ένα μαλακό στεγνό πανί.

Αποθήκευση

Βεβαιωθείτε ότι η μονάδα είναι καθαρή και αποθηκεύετε την όρθια σε μια επίπεδη επιφάνεια μακριά από την άκρη και σε θέση από την οποία δεν μπορεί να πέσει εύκολα κάτω.

ΕΓΓΥΗΣΗ

Παρακαλώ κρατείστε την απόδειξή σας καθώς θα σας ζητηθεί για οποιαδήποτε αξίωση στο πλαίσιο της παρούσας εγγύησης. Η συσκευή αυτή έχει εγγύηση 2 ετών μετά την αγορά σας, όπως περιγράφεται στο παρόν έντυπο.

Κατά τη διάρκεια αυτής της περιόδου εγγύησης, στην απίθανη περίπτωση που η συσκευή δεν λειτουργεί πλέον λόγω σχεδιαστικού ή κατασκευαστικού ελαττώματος, παρακαλώ επιστρέψτε τη στο σημείο αγοράς, με την απόδειξή σας και αντίγραφο της παρούσας εγγύησης.

Τα δικαιώματα και οφέλη στο πλαίσιο αυτής της εγγύησης είναι επιπλέον των θεσμοθετημένων σας δικαιωμάτων, τα οποία δεν επηρεάζονται από την παρούσα εγγύηση. Μόνο η Jarden Consumer Solutions (Europe) Ltd. ("JCS (Europe)") έχει το δικαίωμα να αλλάξει αυτούς τους όρους.

Η JCS (Europe) αναλαμβάνει εντός της περιόδου εγγύησης να επισκευάσει ή να αντικαταστήσει δωρεάν τη συσκευή, ή οποιοδήποτε μέρος της συσκευής βρίσκεται να μην λειτουργεί όπως θα έπρεπε, με την προϋπόθεση ότι:

- θα ειδοποιηθείτε εγκαίρως το σημείο αγοράς ή τη JCS (Europe) για το πρόβλημα και
- η συσκευή δεν έχει τροποποιηθεί με οποιονδήποτε τρόπο ή έχει υποστεί βλάβη, εσφαλμένη χρήση, κατάχρηση, επισκευή ή τροποποίηση από άτομο που δεν έχει εξουσιοδοτηθεί από τη JCS (Europe).

Αυτή η εγγύηση δεν καλύπτει ελαττώματα που προκύπτουν λόγω εσφαλμένης χρήσης, βλάβης, κατάχρησης, χρήσης με λάθος τάση, ανωτέρας βίας, συμβάντων εκτός του ελέγχου της JCS (Europe), επισκευής ή τροποποίησης από άτομο που δεν έχει εξουσιοδοτηθεί από την JCS (Europe) ή αν δεν έχουν ακολουθηθεί οι οδηγίες χρήσης. Επίσης, η εγγύηση αυτή δεν καλύπτει φυσικές φθορές, που περιλαμβάνουν και χωρίς να περιορίζονται στο ελαφρύ ξεθώριασμα και τις γρατσουνιές.

Τα δικαιώματα στο πλαίσιο αυτής της εγγύησης ισχύουν μόνο για τον αρχικό αγοραστή και δεν επεκτείνονται σε εμπορική ή δημόσια χρήση.

Εάν η συσκευή σας περιλαμβάνει εγγύηση ή γραπτή εγγύηση καλής λειτουργίας συγκεκριμένα για τη χώρα σας, παρακαλώ ανατρέξτε στους όρους και τις προϋποθέσεις της εν λόγω ισχύουσας εγγύησης ή γραπτής εγγύησης καλής λειτουργίας ή επικοινωνήστε με τον τοπικό εξουσιοδοτημένο πωλητή σας για περισσότερες πληροφορίες.

Απόβλητα ηλεκτρικών προϊόντων δεν θα πρέπει να απορρίπτονται με τα οικιακά απορρίμματα. Παρακαλώ κάντε ανακύκλωση όταν υπάρχουν εγκαταστάσεις. Στείλτε μας e-mail στη διεύθυνση enquiriesEurope@jardencs.com για περισσότερες πληροφορίες ανακύκλωσης και πληροφορίες για τα απόβλητα ηλεκτρικού και ηλεκτρονικού εξοπλισμού.

Jarden Consumer Solutions (Europe) Limited
5400 Lakeside
Cheadle Royal Business Park
Cheadle
SK8 3GQ
United Kingdom





UK: Jarden Consumer Solutions (Europe) Limited
5400 Lakeside, Cheadle Royal Business Park,
Cheadle, SK8 3GQ, United Kingdom
e-mail: enquiriesEurope@jardencs.com
Tel: +44 (0)161 621 6900

FR: Jarden Consumer Solutions (Europe) Limited
420 Rue D'Estienne D'Orves
92705 Colombes, France
e-mail: serviceinfoFrance@jardencs.com
Tel: +33 1 49 64 20 60

ES/PT: Jarden Consumer Solutions (Europe) Limited
Edif. Vázquez Krasnow
C/ Camino de la Zarzuela, 21
1º - Oficina 1B
28023 – Aravaca
Madrid, España
Tel: +34 90 2051506

IT: NITAL S.p.A.
Via Vittime di Piazza Fontana, 54
10024
Moncalieri Torino
Tel: +39 011 814488

NL: IT&M BV
Park Forum 1110,
5657 HK Eindhoven
e-mail: info@itmonline.nl
Tel: +31 40 290 11 30

DK, FI, NO, SE: Acreto AB
Norra Ägatan 10
416 64 Göteborg, Sweden
Tel: +46 31 30 00 500
Fax: +46 31 30 00 501
www.acreto.se



For Customer Service details, please see the website.
Pour le service consommateurs, veuillez consulter le site web.
Para más información de servicio, por favor visite nuestra página web.

www.FoodSaver™europe.com

© 2017 Jarden Consumer Solutions (Europe) Limited.

All rights reserved. Imported and distributed by Jarden Consumer Solutions (Europe) Limited, 5400 Lakeside, Cheadle Royal Business Park, Cheadle, SK8 3GQ, United Kingdom.

Jarden Consumer Solutions (Europe) Limited is a subsidiary of Newell Brands Inc. (NYSE: NWL).
The product supplied may differ slightly from the one illustrated due to continuing product development.

Printed In China

Tous droits réservés. Distribué par Jarden Consumer Solutions (Europe) Limited, 5400 Lakeside, Cheadle Royal Business Park, Cheadle, SK8 3GQ, United Kingdom.

Jarden Consumer Solutions (Europe) Limited est une filiale de Newell Brands Inc. (NYSE: NWL).
En raison du développement continu de nos produits, le produit livré risque de varier légèrement de l'illustration.

Imprimé en Chine

Todos los derechos reservados. Distribuido por Jarden Consumer Solutions (Europe) Limited, 5400 Lakeside, Cheadle Royal Business Park, Cheadle, SK8 3GQ, Reino Unido.

Jarden Consumer Solutions (Europe) Limited es una filial de Newell Brands Inc. (NYSE: NWL).
El producto suministrado puede diferir ligeramente del mostrado en la imagen debido al desarrollo permanente de los productos.

Impreso en China